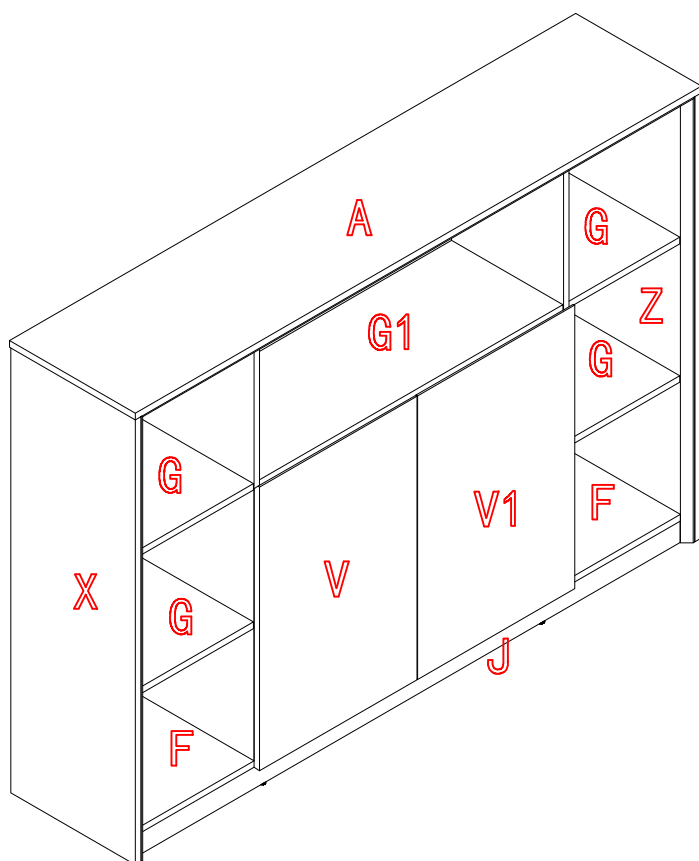


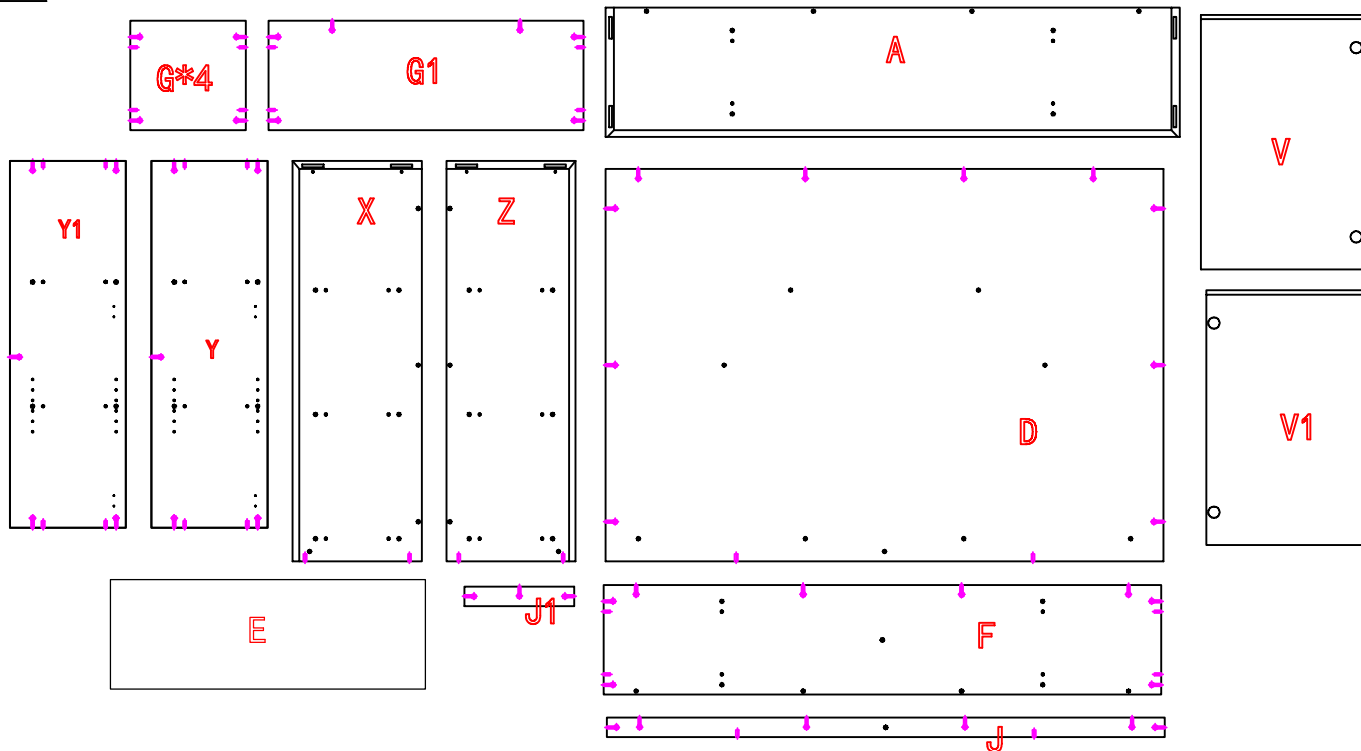
Assembly Instructions

MODEL NO:M2-SU182



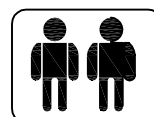
Pin 6x35 1 59PCS	Wood Screw 4x16 7 28PCS
Cam 2 59PCS	Allen Wrench M4 8 1PCS
Cam Cover 3 59PCS	73x23x15 9 2PCS
Hinge (full-overlay) 4 4PCS	ø6x40 10 2PCS
Shelf Pin 5 4PCS	Wood Screw 4x40 11 2PCS
ADJ. Feet ø18x5H 6 8PCS	

STEP1



IMPORTANT NOTE:

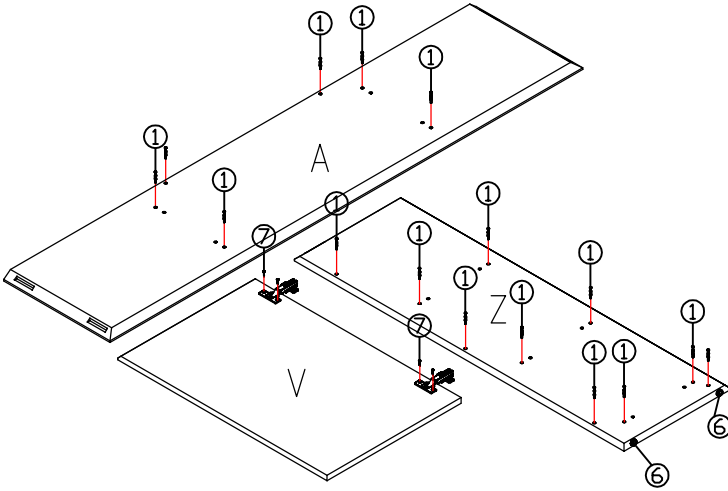
- Place all laminated parts on a clean and smooth surface such as a rug or carpet to avoid the parts from being scratched.
- Check to be sure that you have all parts and hardware.
- Remove all wrapping materials, including staples & packing straps before you start to assemble.
- Don't tighten all screws/bolts until all completely assembled.
- Keep all hardware parts out of reach of children



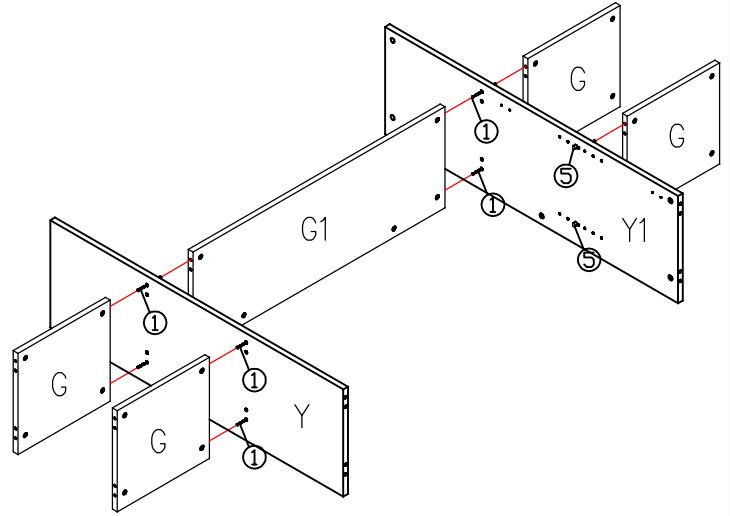
Assembly Instructions

MODEL NO:M2-SU182

STEP2

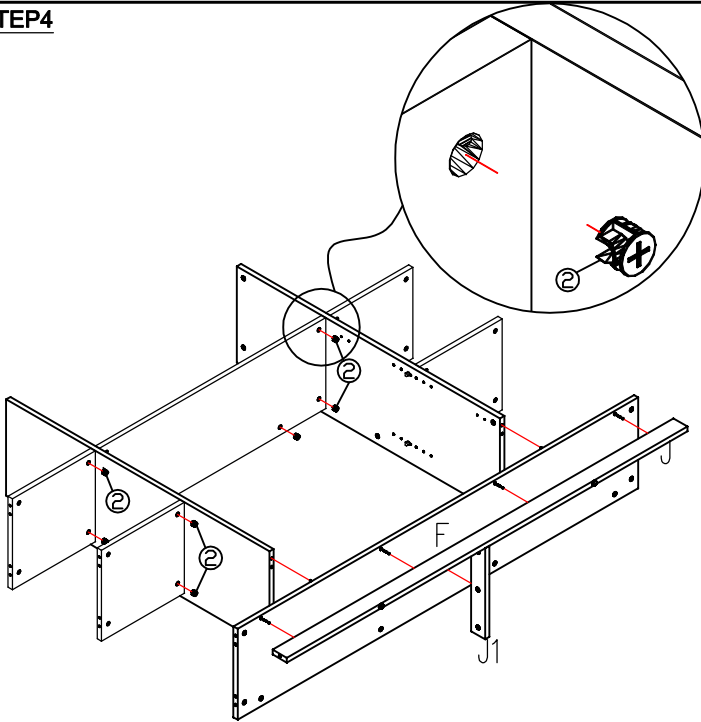


STEP3



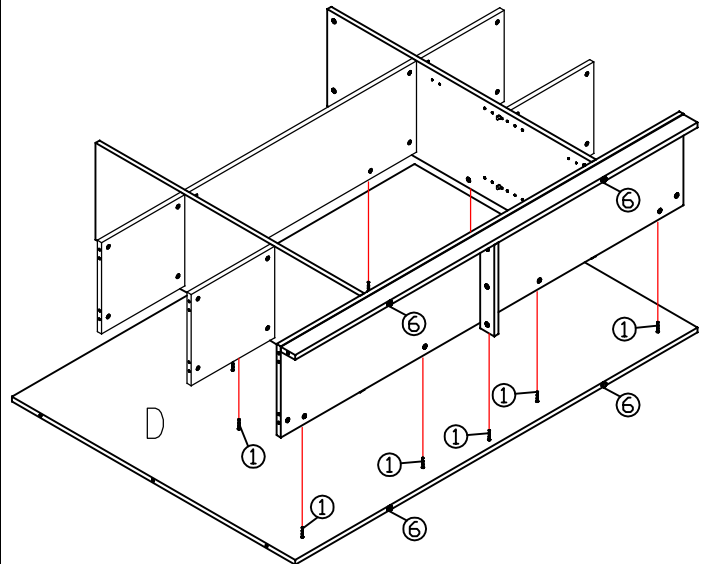
First insert the pin(part#1), then place the cam(part#2), and finally tighten/lock off after they have been put into the melamine.

STEP4



First insert the pin(part#1), then place the cam(part#2), and finally tighten/lock off after they have been put into the melamine.

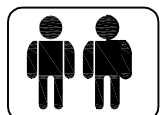
STEP5



First insert the pin(part#1), then place the cam(part#2), and finally tighten/lock off after they have been put into the melamine.

IMPORTANT NOTE:

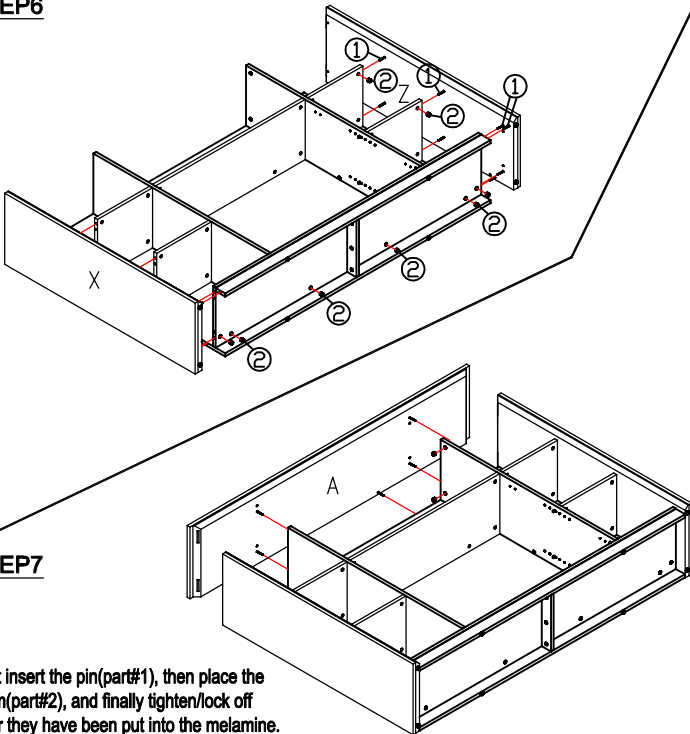
- Place all laminated parts on a clean and smooth surface such as a rug or carpet to avoid the parts from being scratched.
- Check to be sure that you have all parts and hardware.
- Remove all wrapping materials, including staples & packing straps before you start to assemble.
- Don't tighten all screws/bolts until all completely assembled.
- Keep all hardware parts out of reach of children



Assembly Instructions

MODEL NO:M2-SU182

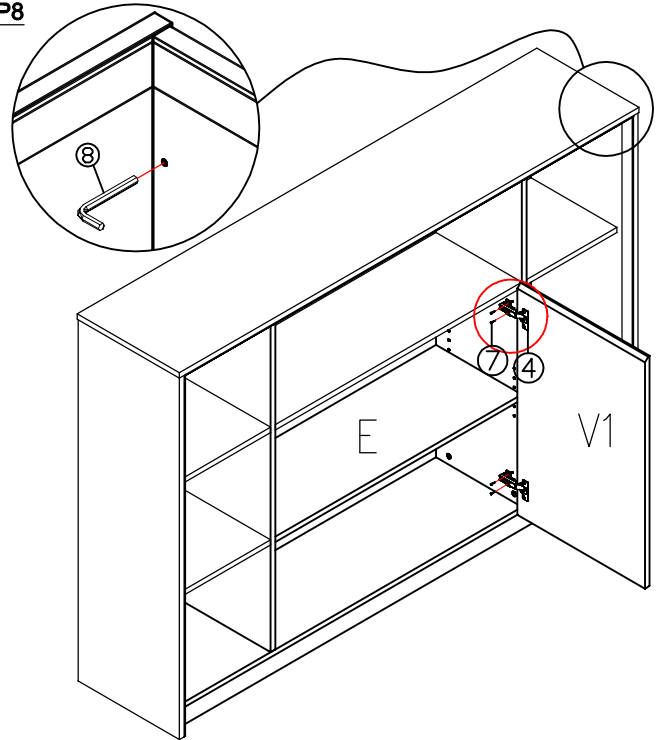
STEP6



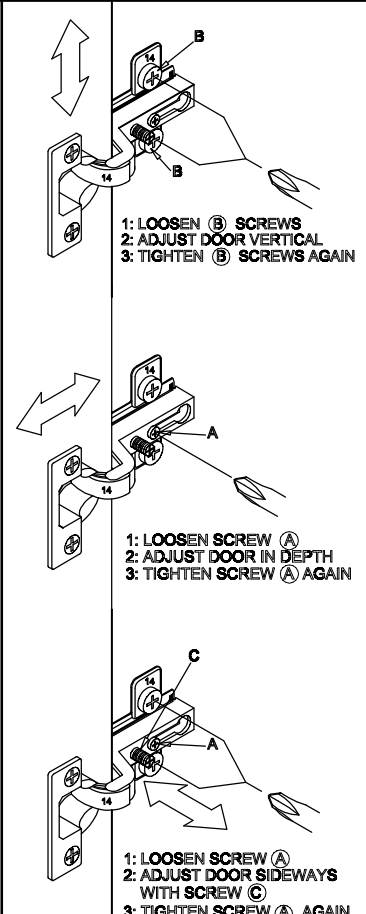
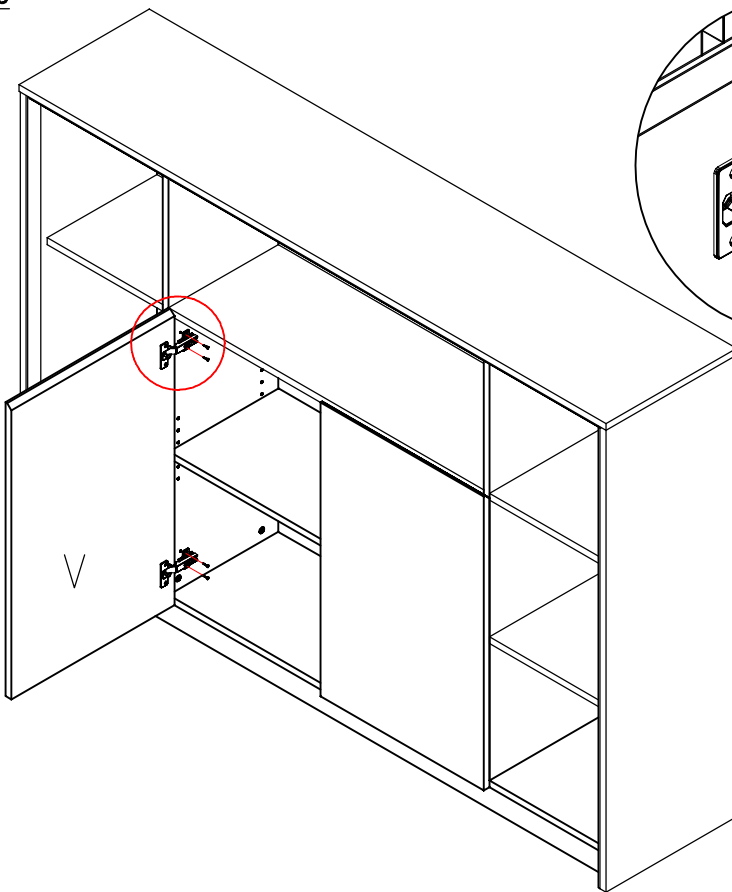
STEP7

First insert the pin(part#1), then place the cam(part#2), and finally tighten/lock off after they have been put into the melamine.

STEP8



STEP9



IMPORTANT NOTE:

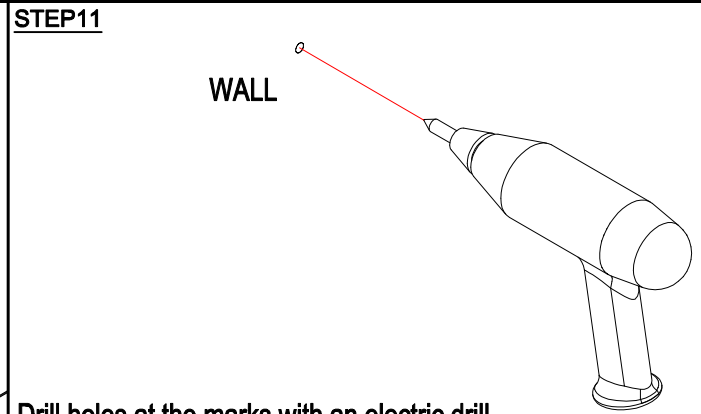
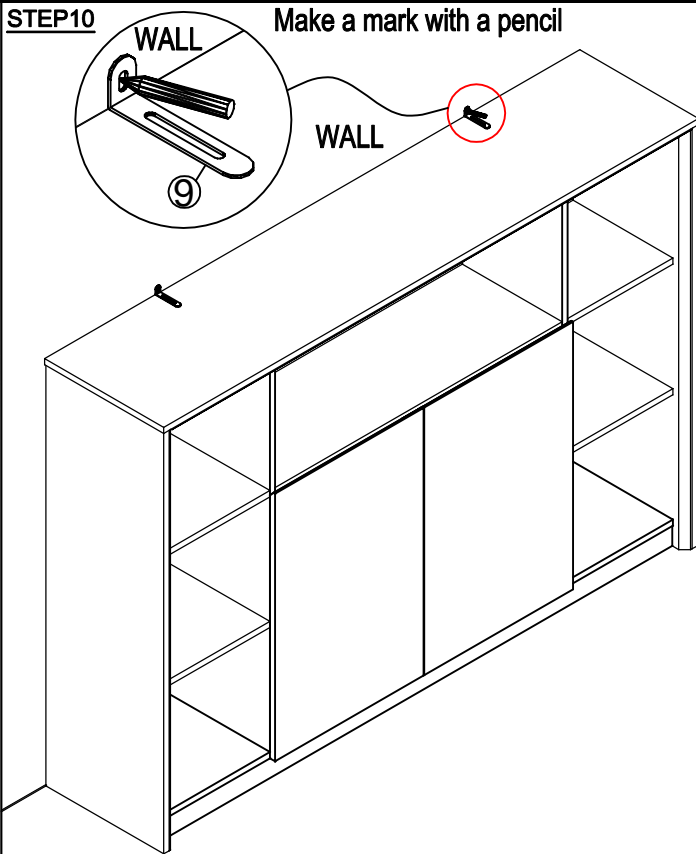
- Place all laminated parts on a clean and smooth surface such as a rug or carpet to avoid the parts from being scratched.
- Check to be sure that you have all parts and hardware.
- Remove all wrapping materials, including staples & packing straps before you start to assemble.
- Don't tighten all screws/bolts until all completely assembled.
- Keep all hardware parts out of reach of children



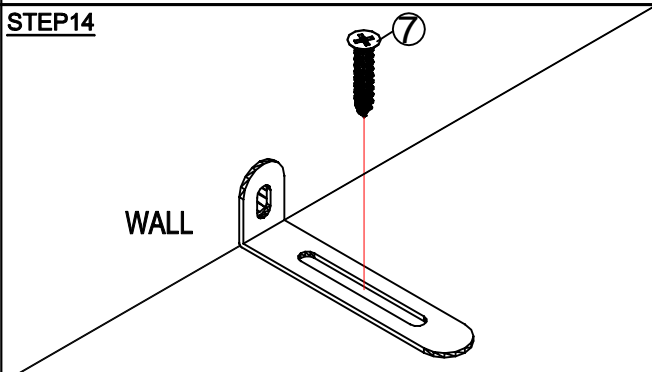
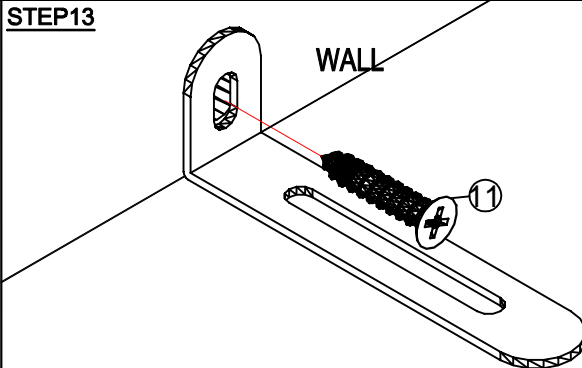
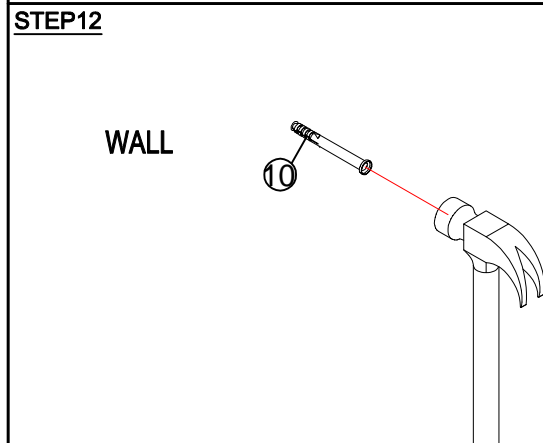
Assembly Instructions

MODEL NO:M2-SU182

The warning sticker provided within this hardware kit **MUST** be attached to the piece furniture in a place that is 100% visible when the item is empty.



Drill holes at the marks with an electric drill



⚠ WARNING



NEVER put a TV on this Furniture



This furniture type is at high risk of toppling over.

Children have died from furniture tipover.

- ALWAYS secure it with an anchor device.
- NEVER allow children to stand, climb or hang on drawers, doors or shelves.
- NEVER open more than one drawer at a time
- PLACE heavy items down low.

Ask staff for more information or visit <http://www.productsafety.gov.au>

This is a permanent label. Do not remove!

IMPORTANT NOTE:

- Place all laminated parts on a clean and smooth surface such as a rug or carpet to avoid the parts from being scratched.
- Check to be sure that you have all parts and hardware.
- Remove all wrapping materials, including staples & packing straps before you start to assemble.
- Don't tighten all screws/bolts until all completely assembled.
- Keep all hardware parts out of reach of children

