

BURO

SENTINEL

GAMING CHAIR



USER
GUIDE

buro x  **PowerA**TM
ergonomics at work[®]

THE BURO X POWERA COLLABORATION

Buro combines over 30 years of ergonomic expertise with intelligent design - creating chairs that support your well-being. **PowerA** is a global leader in video gaming accessories with a mission to bring gamers of all levels memorable experiences that enhance the fun and excitement of gaming.

Now these brands have teamed up to keep gamers in the zone - with better posture and lasting focus, so gamers and creators can do what they love, for longer.

THANK YOU FOR CHOOSING THE BURO SENTINEL ERGONOMIC GAMING CHAIR

Stand guard over your game with the Buro Sentinel Ergonomic Gaming Chair. Featuring Buro Dynamic Intelligence™ technology - advanced ergonomics that support active posture. Stay cool and in control with breathable mesh and innovative 5D armrests.

FEATURES OF YOUR CHAIR

- Height and depth adjustable headrest
- Ratchet height adjustable, ergonomically shaped mesh back
- Body weight activated lumbar support for your playing comfort
- Buro Dynamic Intelligence™ mechanism supports active posture and natural movement
- Cable control mechanism with 4 locking back tilt positions for smoother ergonomic adjustments, height adjustment and seat depth adjustment
- Upholstered moulded foam seat
- 5D armrests with soft PU arm pads that enhance support during long gaming sessions
- Sturdy nylon base with kick plates to rest your feet
- 60mm PU decorative castors.

CERTIFICATIONS

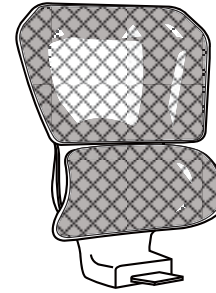
- **GREENGUARD Gold** certification
- Endorsed by the **Australian Physiotherapy Association**
- Certified to **ANSI/BIFMA x5.1-2017** General-Purpose Office Chairs
- **FSC® 100%** certified wood.





WHAT'S IN THE BOX

IMPORTANT: Remove all items from the carton. Verify all pieces before assembly.



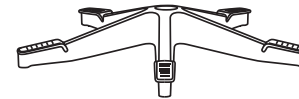
A Back
(x1)



B Seat
(x1)



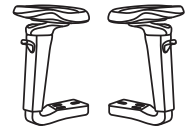
C Gas Lift
(x1)



D Base
(x1)



E Castors
(x5)



F Arms
(x2)



G Headrest
(x1)



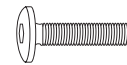
H Allen Key
(x1)



I Armrest Washers
14MM (x6)



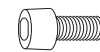
J Mechanism Washers
20MM (x6)



K Armrest Screws
M6 x 55MM (x6)



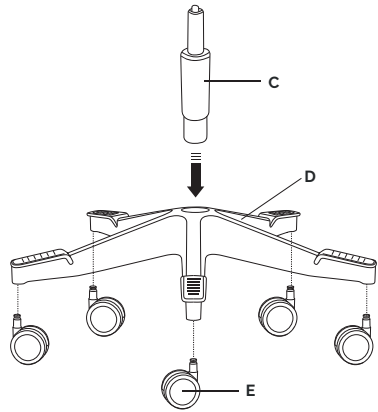
L Mechanism Screws
M8 X 20MM (x4)



M Headrest Screws
M6 x 12MM (x2)

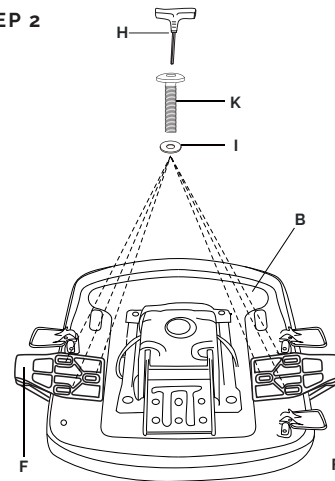
ASSEMBLY GUIDE

STEP 1



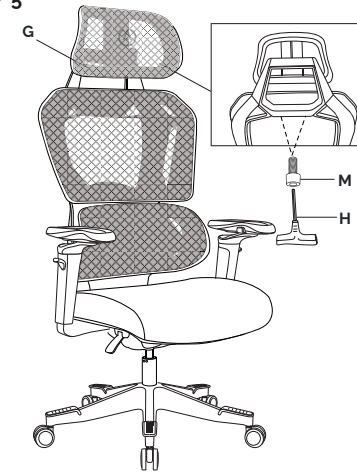
Insert the five castors firmly into the base. Turn the base upright and insert the gas lift into the base.

STEP 2



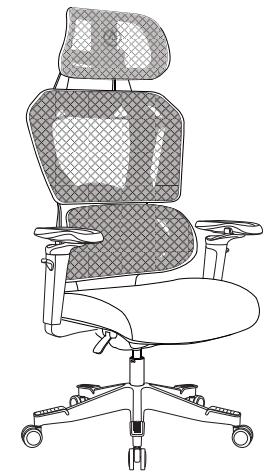
Attach the armrests to the seat. Use three M6 x 55 screws and 14mm washers on each arm.

STEP 5



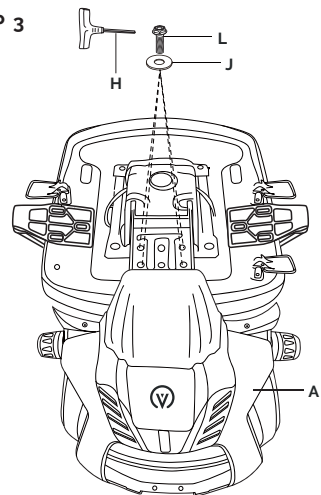
Attach the headrest to the backrest using two M6 x 12mm screws.

STEP 6



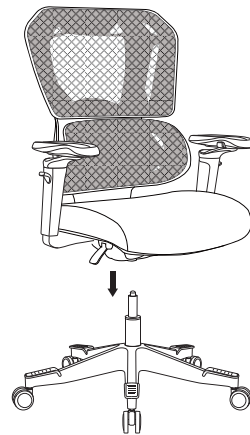
Sit on the seat and press down firmly to ensure the gas lift is fully engaged.

STEP 3



Attach the backrest with four M8 x 20 screws and 20mm washers.

STEP 4



Carefully position the seat on to the gas lift.

Scan for
assembly
video.



LEVEL UP YOUR COMFORT

Take a few minutes to set up your new **Buro Sentinel Gaming Chair** so it's perfectly tuned to your body. That way, you'll get the full benefit of its awesome ergonomic features and support.

Follow the step-by-step guide below to dial in your setup for maximum comfort, and next-level gaming sessions.

IMPORTANT: Do not operate the mechanism levers unless properly seated in the chair.

1. Adjustable Seat Height

To adjust the height of the chair, locate the paddle (1) on the front right-hand side. To raise the seat, firmly lift the paddle while standing, and release at your desired height. To lower the seat, lift the paddle while seated, and release at your desired height.



2. Ratchet Back Height Adjustment

Adjust the back height ratchet by placing your hands on the backrest behind you while seated, and slowly lifting the back (2) to your preferred height. To lower the back, lift the back to the highest position possible, allowing the back to release. It will then reset to the lowest position.



3. Head Rest Adjustment

You can adjust both the height and depth of the headrest by sliding the headrest up and down, and sliding it in and out to adjust the depth.



4. 5D Adjustable Armrests

To adjust the height of the arms, press the button (4) located on the outside of the armrest and raise or lower the arm. The armpads can also rotate outward 180° and inward 40° as well as sliding forward and backward.



5. Depth Adjustable Seat Slide

To adjust the seat depth, locate the paddle (5) on the left-hand side of the seat. Lift the paddle and slide the seat forward or backward, and release the paddle at your desired seat depth.



6. Cable Control Synchronised Mechanism

Lift the paddle located at the back left corner of the seat (6) up, to activate free-floating Buro Dynamic Intelligence™ body weight functionality. To lock the back into one of the four available positions, push the paddle down.



7. Body Weight Activated Lumbar

The lumbar support is activated when pressure from your back engages with the seat.



CARE & MAINTENANCE

GENERAL CARE

- To maintain the appearance of non-upholstered parts wipe the surface with a clean cloth dampened with a mild detergent solution.
- Do not remove any parts for separate cleaning
- Do not saturate the fabric or interior with water or other cleaning liquids.
- Do not shampoo clean.
- Do not clean with hot water extraction machine.
- Do not clean with onsite drycleaning machine.
- Protect from direct sunlight, heat and weather.

FABRIC UPHOLSTERY CARE

- Wipe with a clean cloth dampened with a mild upholstery detergent solution.
- A soft bristle brush may be used to remove ingrained soil.
- Spot clean as above.
- Treat spills and stains as soon as possible.
- Persistent stains may require treatment by a professional cleaner.
- May be cleaned with dry powder cleaners.
- Allow to dry thoroughly before reuse.

UPHOLSTERY & FOAM SPECS

Foam

Flame Resistant: Ca117 Section A Part I & Section D Part II

Upholstery: Fabric

Flame Resistance: Ca117 Section E Class I

PREVENTATIVE MAINTENANCE & WARNING

- Use this product only for seating one person at a time.
- Do not use this chair as a step stool/ladder.
- Do not sit on any part of the chair except the seat.
- Do not use this chair on uneven floor surfaces.
- Do not interfere with the operating of the gas lift.
- Do not use chair unless all bolts, screws and knobs are tight.
- At least every six months check all bolts, screws and knobs to ensure they are tight.
- If any parts are missing, broken, damaged or worn do not use the product until repairs are made using factory authorised parts.
- Dispose of packaging properly.
- Plastic bag is not a toy.
- Do not use plastic bag as a head covering as it may cause suffocation.
- Failure to follow these warnings could result in serious injury.





Register your Buro
Sentinel Gaming Chair
for our comprehensive
guarantee.



Endorsed by:

