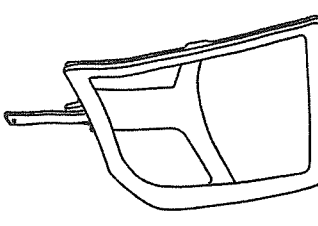
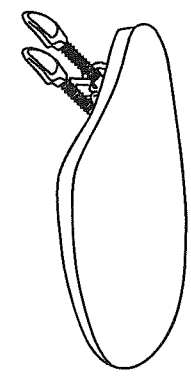
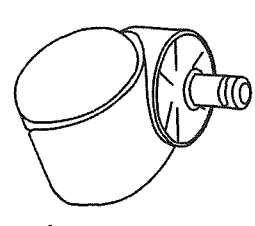

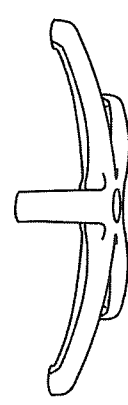
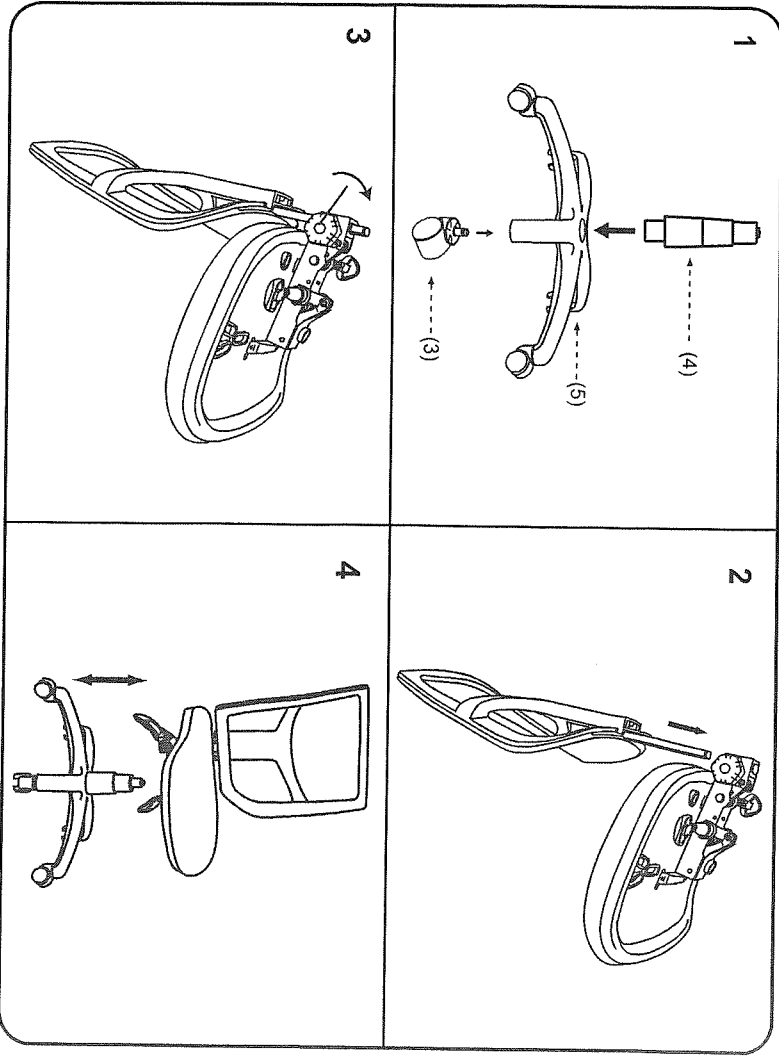


**MODEL: YS130**

<p>(1)x1</p>  <p>Back Cushion (3)x5</p>	<p>(2)x1</p>  <p>Seat Cushion &amp; Mechanism (4)x1</p>
<p>Caster (5)x1</p> 	<p>Gas Lift W/ Cover</p> 
<p>Base</p> 	



**Insert and loosely tighten all screws. When assembly is completed, fully tighten all screws before using. This chair is only intended for sitting. Any other use will void the warranty.**

