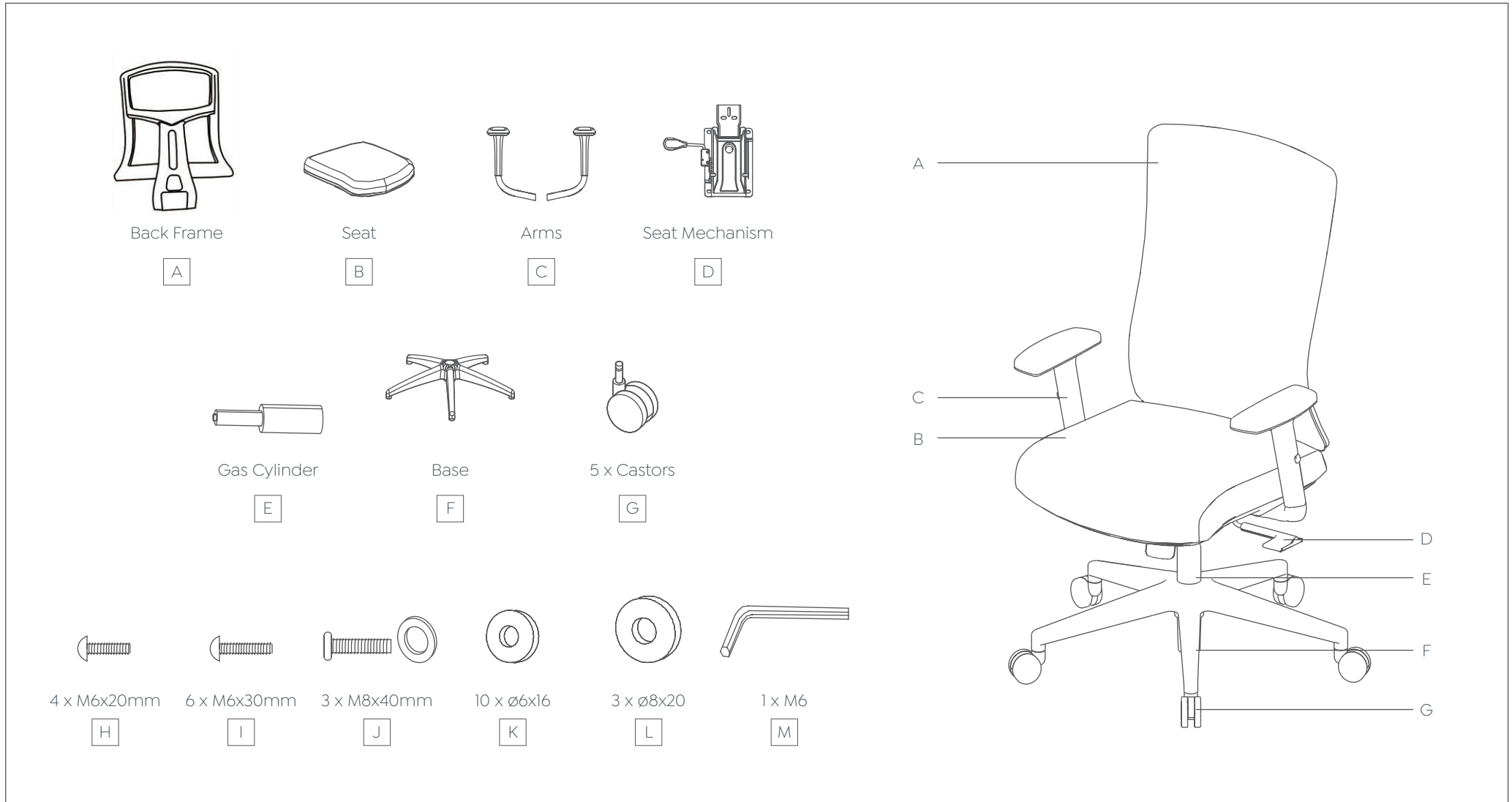




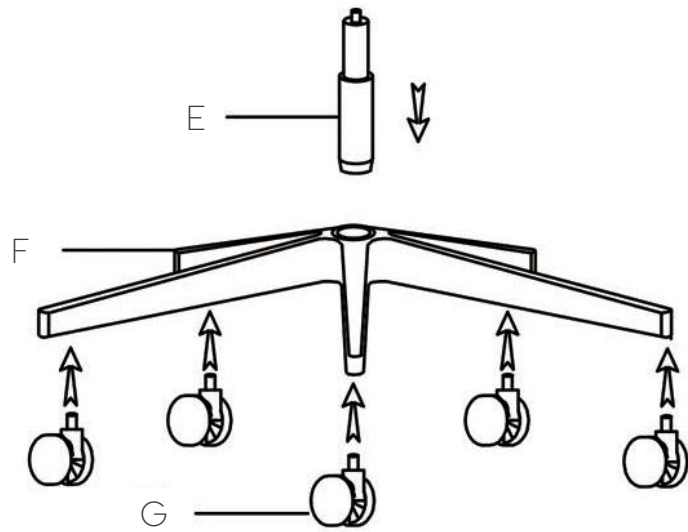
Tavo Task Chair

Assembly Instructions

Components List

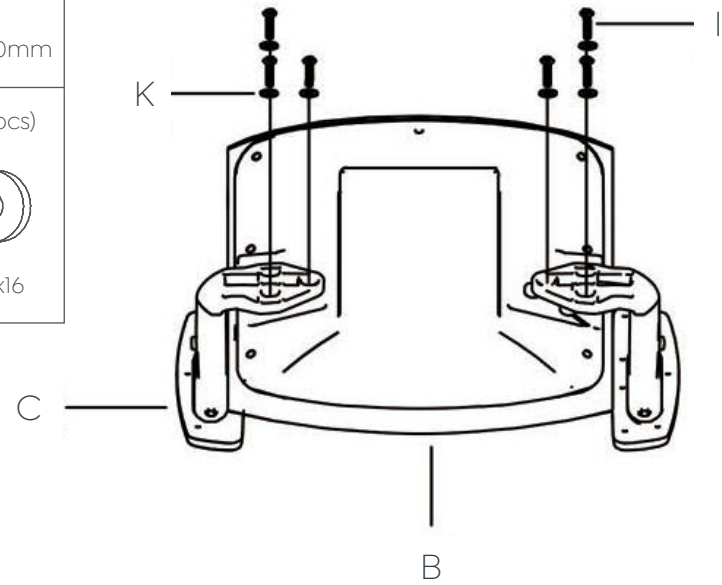


STEP 1:



STEP 2:

- I (6pcs)
- M6x30mm
- K (6pcs)
- ø6x16



STEP 3:

H (4pcs)

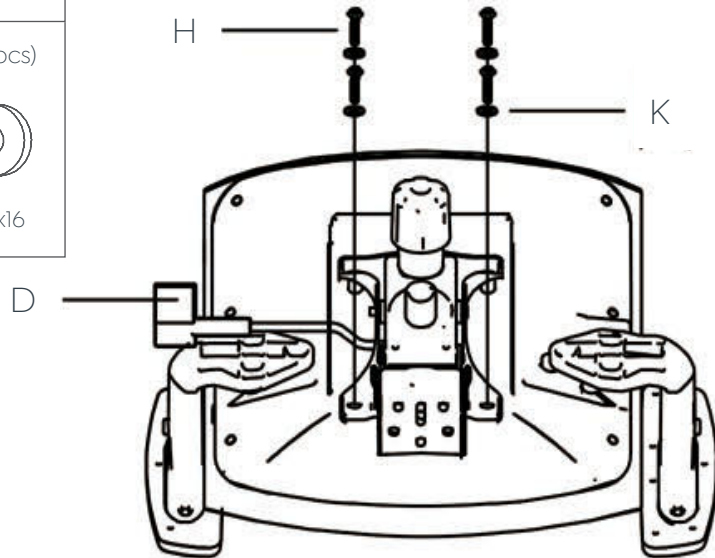


M6x20mm

K (4pcs)



ø6x16



STEP 4:

J (3pcs)

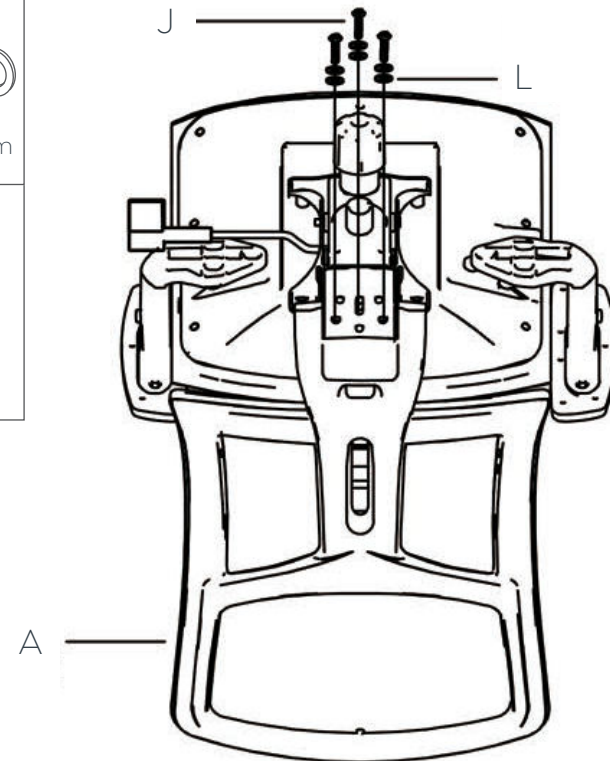


M8x40mm

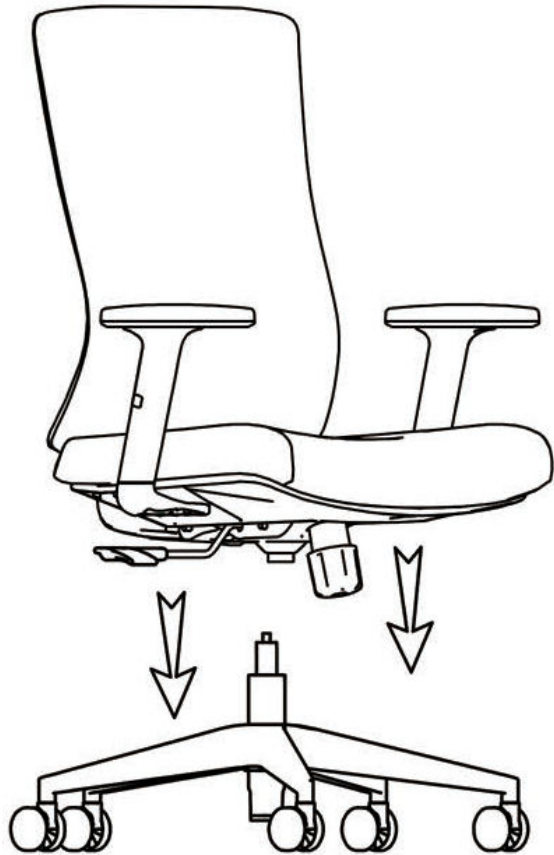
L (3pcs)



ø8x20



STEP 5:



Complete:

