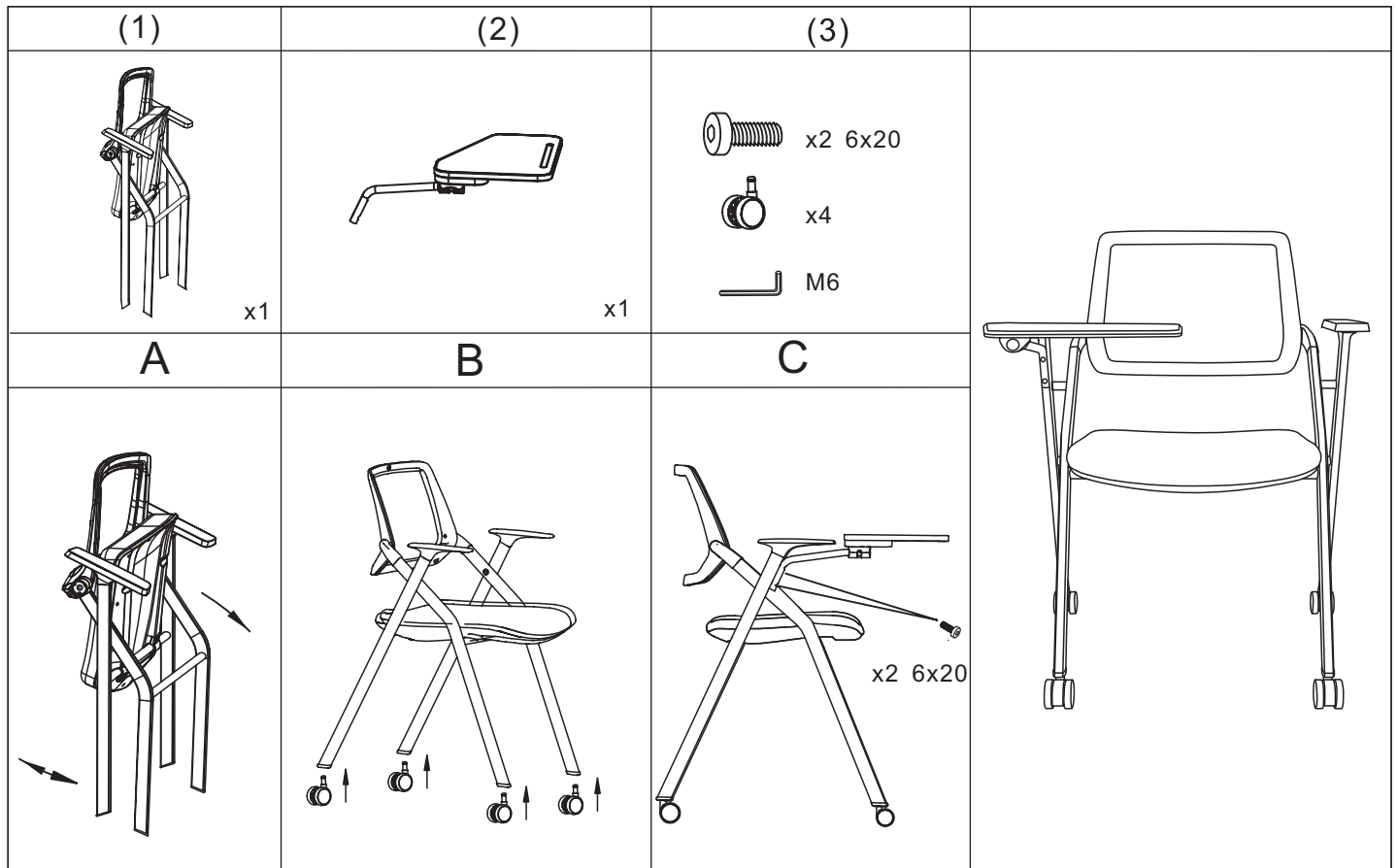


FLARE TRAINING CHAIR



USER INFORMATION

- *Sliding armrest: The armrest can slide forward or backward to suit different user
- *Flip-up seat: The seat can flip-up when not in use to save space
- *Rotating writing tablet: The tablet attached to the right armrest
- *Optional castor: The chair is available with or without castors.

MAINTENANCE

- *Protect the chair from direct sunlight.
- *Check and tighten all the bolts periodically.

FABRIC CARE

- *Clean regularly and gently..
- *Test +on concealed before proceeding.

WARNING

- *Do not use this chair unless all bolts/knob are tightened and this chair is assembled firmly and properly
- *This chair is for one person to sit on. Do not stand on the chair.
- *Only trained personnel replace or repair cylinder.
- *Failure to follow these warnings could result in serious injury.