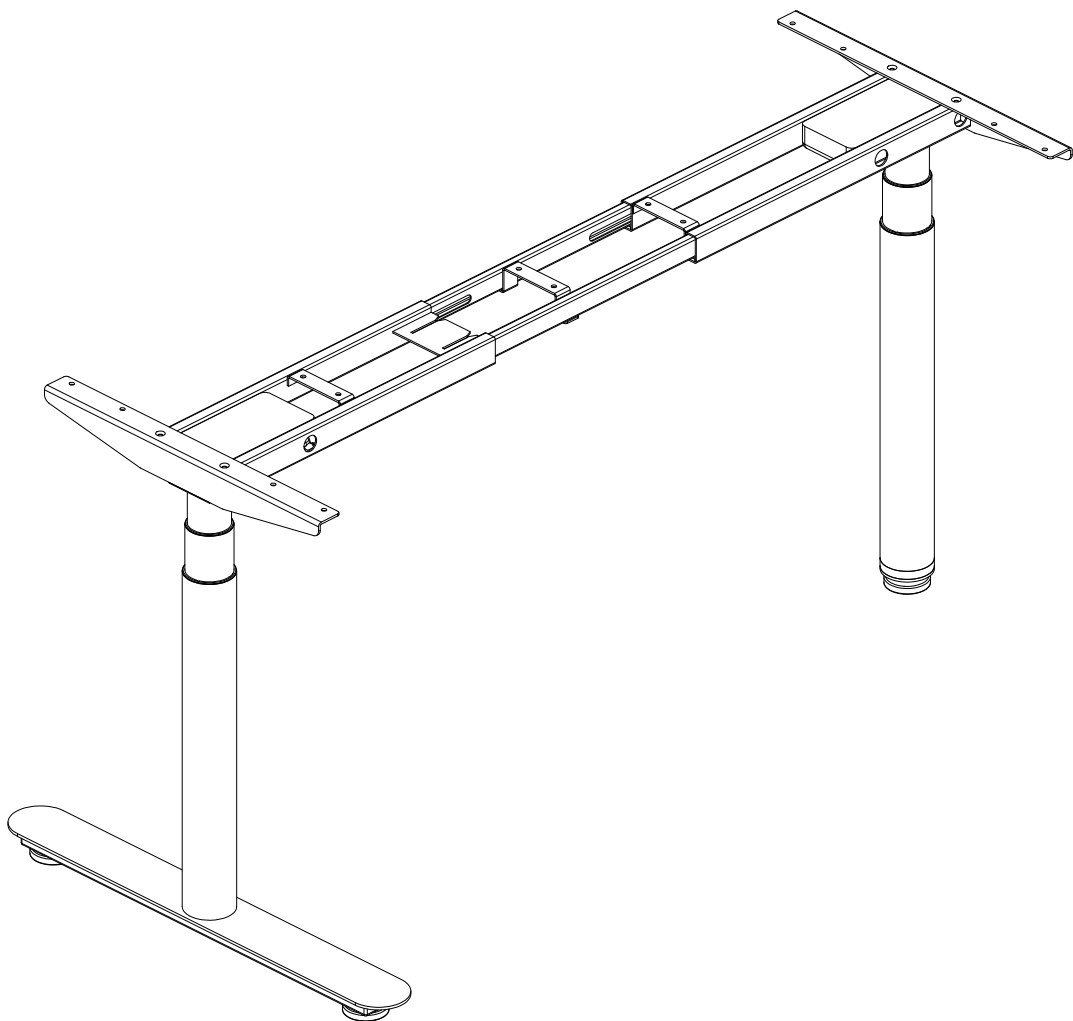


Aura Plus Executive Height Adjustable Workstation Frame

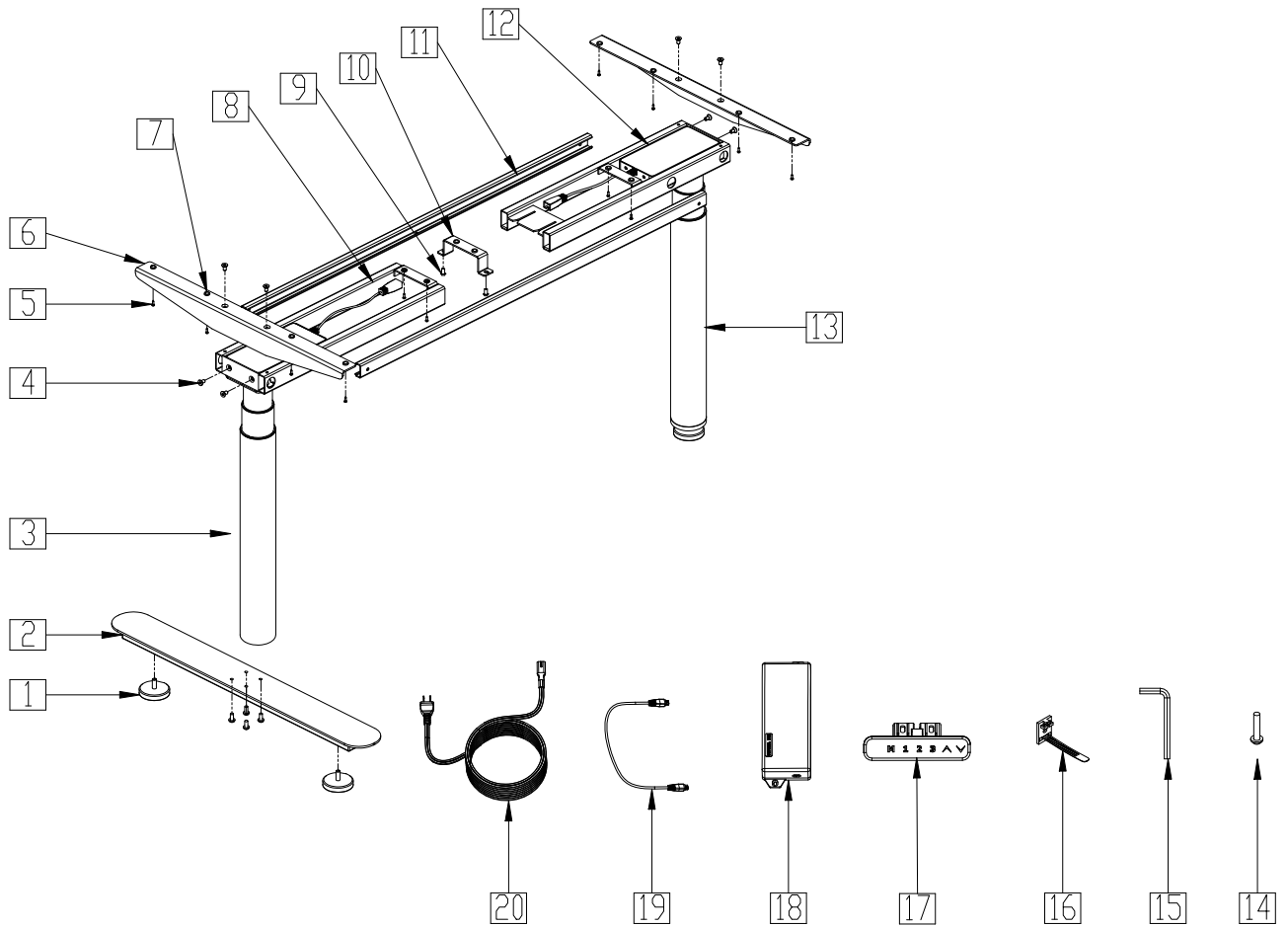
Instruction Manual

Table of Contents

Component parts	2
Assembly Instructions	3
Use Instructions	6
Troubleshooting	8
Important Safety Instructions	9
Advanced Programming	10



Component parts

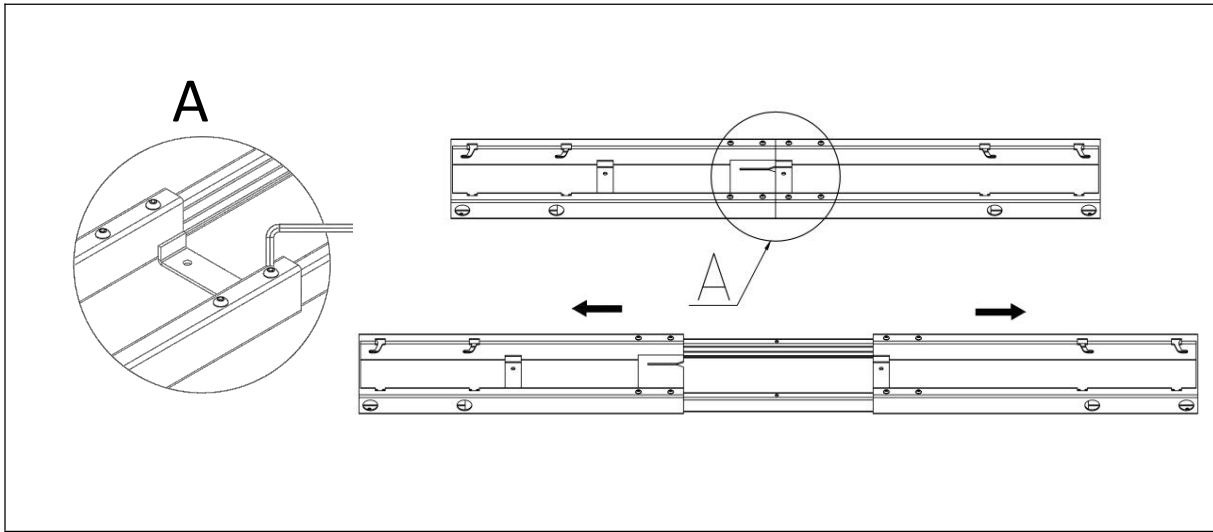


NO.	Component Name	PCS	NO.	Component Name	PCS
1	Leveling pads	2	11	Center rails	2
2	Table feet	2	12	Top frame-2	1
3	Lifting column	1	13	Lifting column(Cabinet)	1
4	Bolt: M6x12	9	14	Bolt: M6x35	5
5	Screw:ST4x20	20	15	Allen Wrench(4mm)	1
6	Side brackets	2	16	Cable Tie	5
7	Rubber pad	14	17	Handset	1
8	Top frame-1	1	18	Control Box	1
9	Bolt: M6x10	3	19	Motor cable	1
10	Centre bracket	1	20	Power cord	1

Assembly Instructions

Step 1

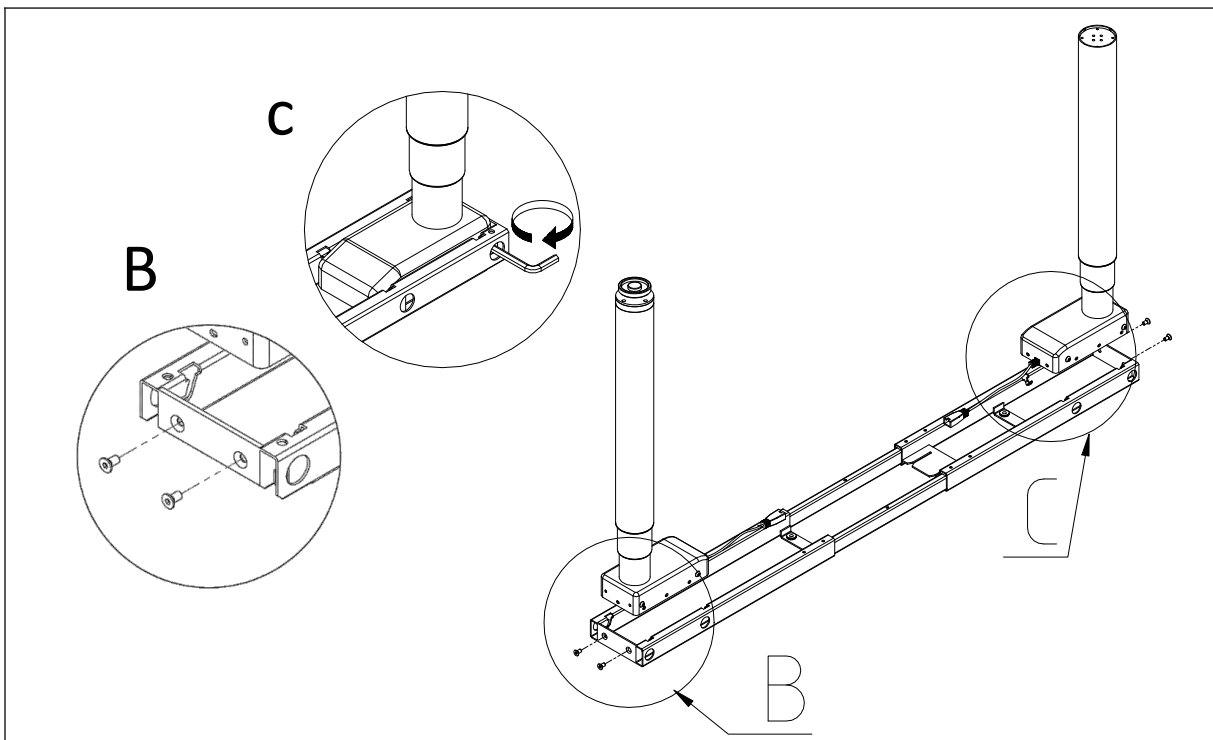
Loosen the pre-installed bolts and Adjust the length of the top frame to match the size of the table top.



Step 2

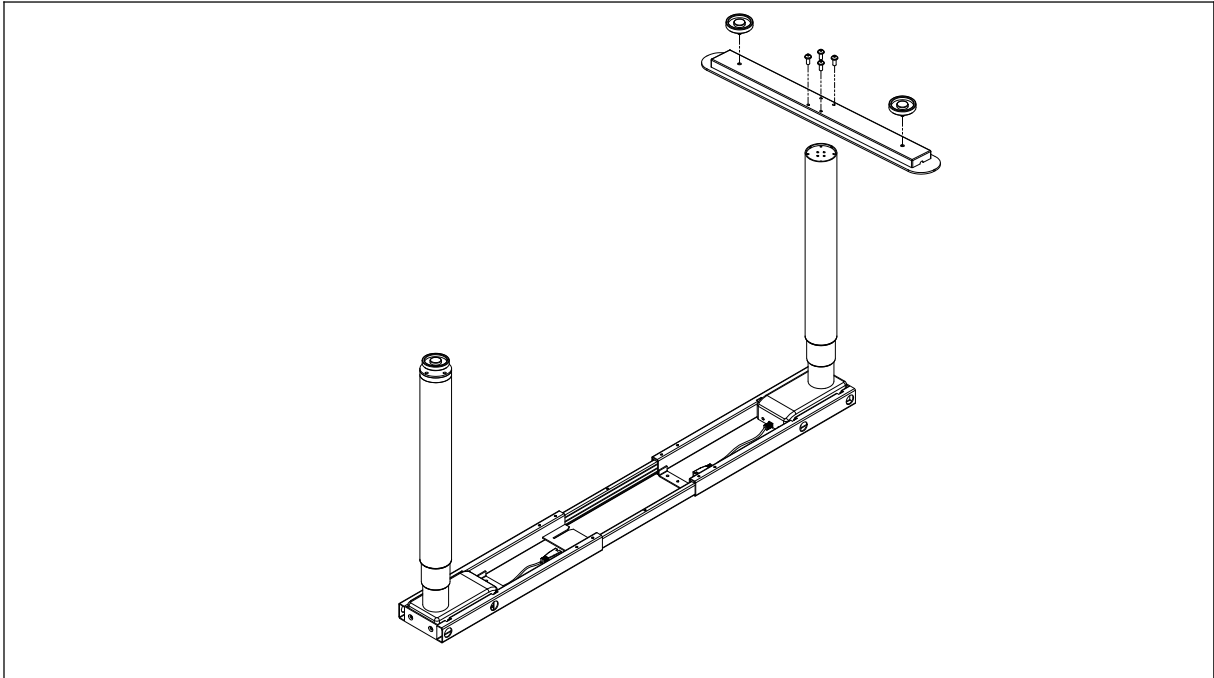
Inset the lifting column to the top frame.

- First fix lifting column with 4 pcs screws M6x12 like **B** displayed
- And then tighten the pre-installed bolts like **C** displayed



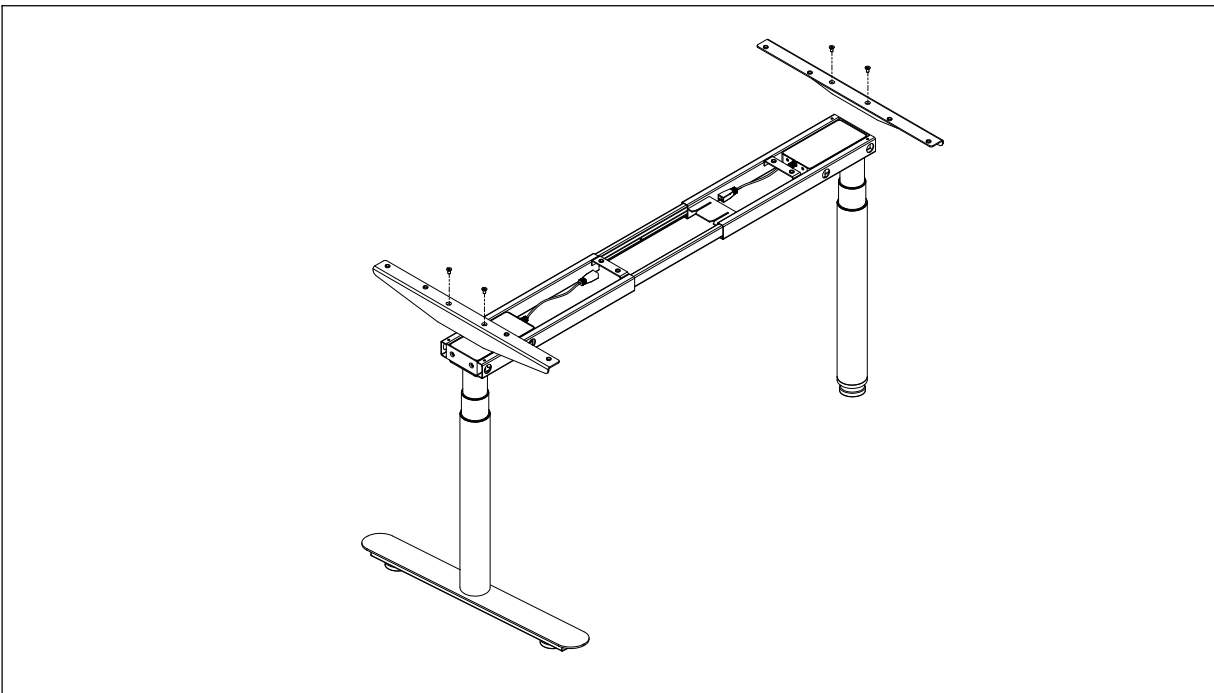
Step 3

Install the table feet with Screws 4 pcs M6x35,
Install the 2 pcs leveling pads



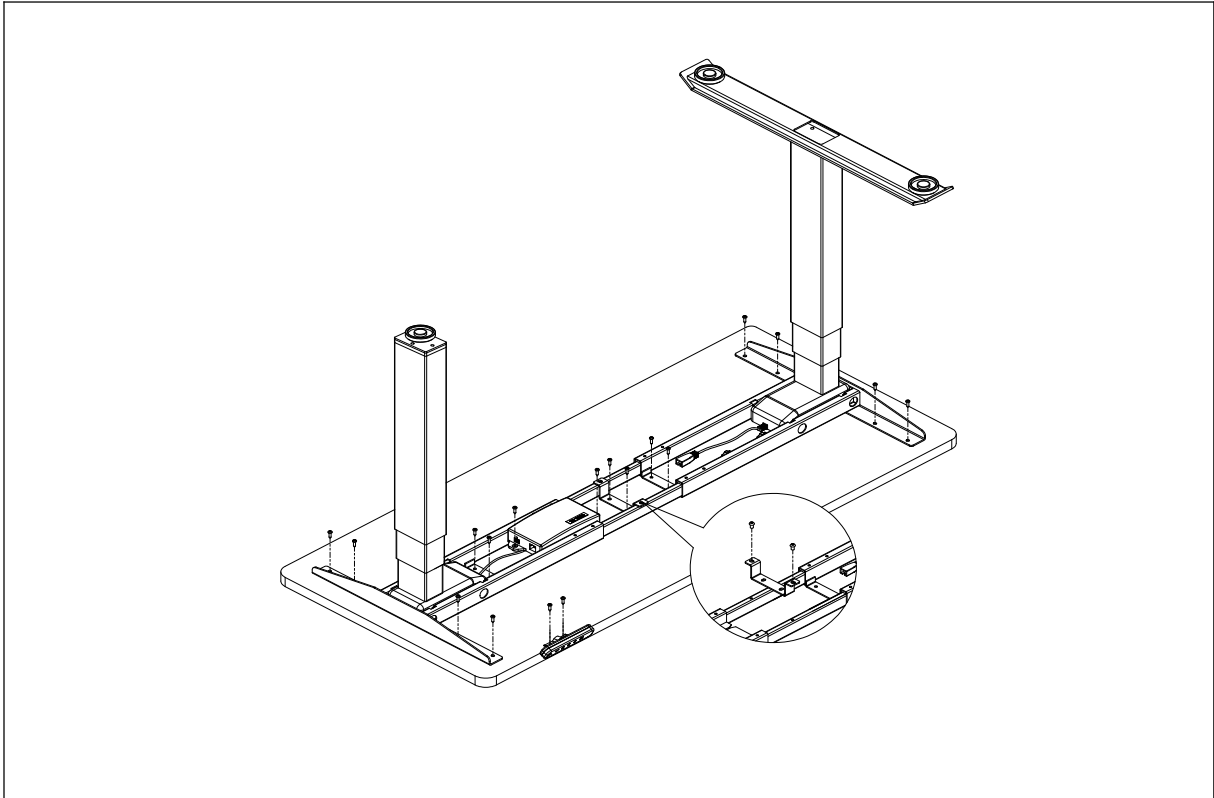
Step 4

Install the two side brackets with Screws 4 pcs M6x12,



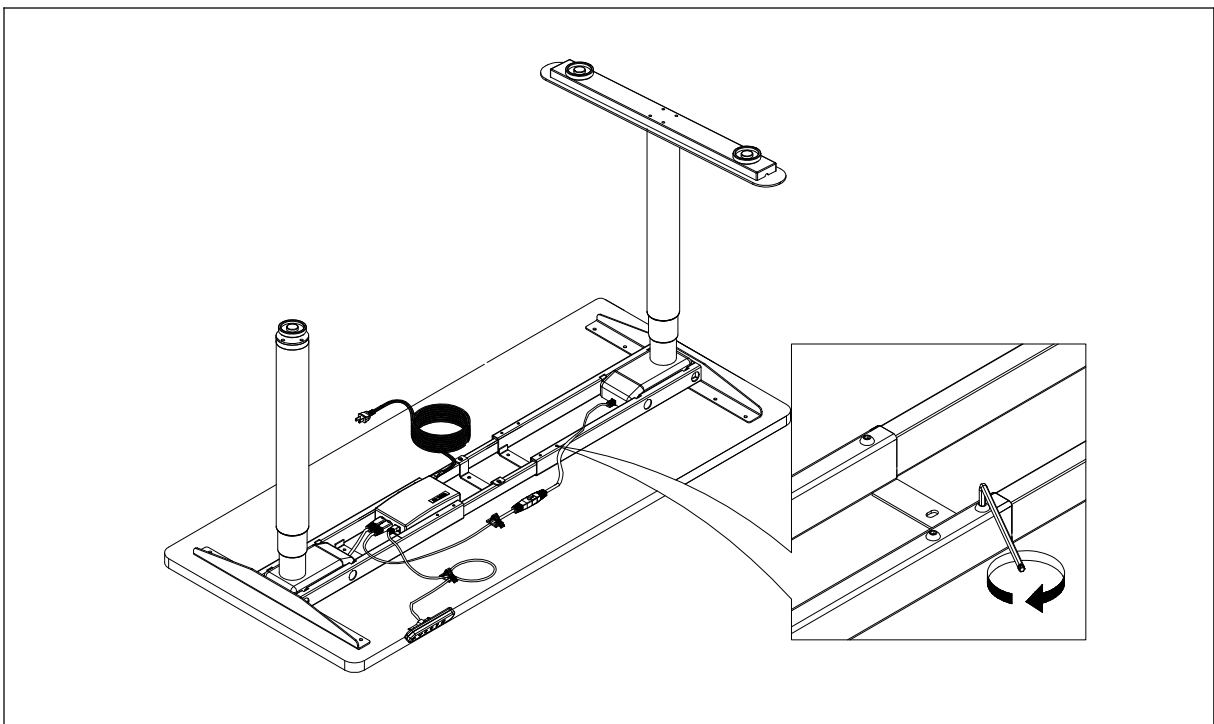
Step 5

Mount the tabletop and fix it with 14 pcs screws ST4x20; .Fix the centre bracket with 2 pcs screws M6x10 ;Fix the handset with 2 pcs screws ST4x20



Step 6

Tighten the screws to fix the top frame, mount the control box to the frame, and ensure all cables are connected correctly and tightly to the control box. Use cable ties provided to tidy up any loosely hanging cables. (Note) Desk will not function properly unless the control box has been connected to the desk frame bracket.

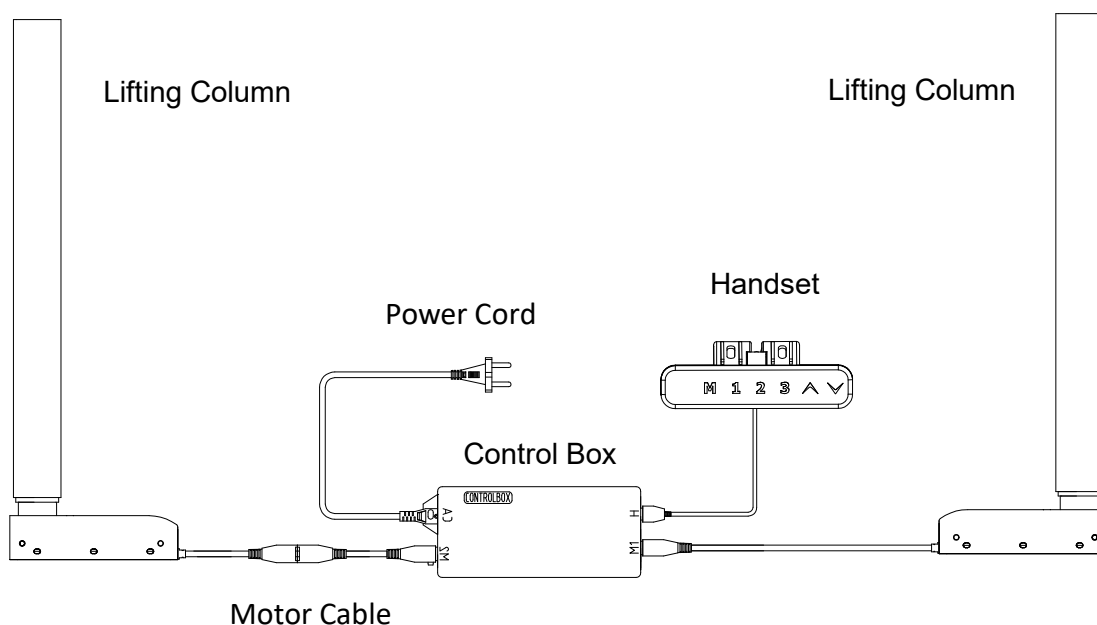


Use Instructions

A. Parts list

- 1. Lifting Column 2 pcs
- 2. Handset..... 1 pcs
- 3. Control Box 1 pcs
- 4. Motor Cable 1 pcs
- 5. Power Cord 1 pcs

Connect the cables as shown in the photo below:



B. Technical Specifications

Input: 100-240VAC

Output Power: 29VDC

Maximum accepted weight: 120 kg (including tabletop weight)

Maximum speed: 38 mm/s

Minimum height: 620mm

Travel distance: 650 mm

Operating temperature: 10-40°C

Duty Cycle: Max.10% or 2 min on and 18 min pause

Control Panel Operation and Programming Instructions



1. Make sure all components are connected correctly (control box, control panel, power cable and connecting cable, lifting columns).

2. Connect the power cable to a 110/240VAC outlet. After the control panel will display "62.0" sign for a few seconds, the system is turn on and the desk is ready for use.

3. Up and Down

Press and hold the "UP" button to move up the desk to the desired height. The desk will stop when the button is released.

Press and hold the "DOWN" button to lower the desk to the desired height. The desk will stop when the button is released.

4. Memory Settings

After adjusting the desk height using the "UP"/"DOWN" buttons, press the "M" button ,Then press the desired button from 1 to 3 to assign the current height to a number on the keypad. Can be saved and memorized 3 different heights.

Moving the desk to a preset height can be done by pressing the corresponding button from 1 to 3.

During operation you can stop the desk by pressing one of the "UP"/"DOWN" buttons.

5. Keypad Lock

To lock: Press and hold "UP" and "DOWN" buttons for 5 seconds until "LOC" sign appears on the display, indicating that the system is locked.

To unlock: Press the "UP" and "DOWN" buttons for 5 seconds at a same time until the "LOC" sign disappears and the height of the desk is displayed, indicating that the system is ready to be adjusted again.

6. Reset

When the system is experiencing a problem or the control panel displays "RES", the system must be reset. Press and hold the "DOWN" button throughout the process. After 5 seconds, the desk will lower slightly until it reaches its lowest height, then rises slightly and the display changes back to the numeric height setting. After the desk stops, the reset process is successfully completed.

Troubleshooting

1. H0T

Issue: Operation of the control box, continuously, for more than 2 minutes.

Solution:

- a. Wait 18 minutes.
- b. Disconnect the power cable, wait a few minutes, and then plug the cable to the power source. The error code will disappear.

2. E01 and E02

Issue:

- a. One of the control box cables is not connected properly, it is defective or broken;
- b. The weight on one side of the desk exceeds 120 kg.

Solution:

Make sure all the connection cables are properly connected.

Then wait 3 seconds and the error code will disappear. If the problem still persists, replace the engine with a new one.

Remove load from desk, then the error code will automatically disappear.

3. E06

Issue: The difference between the two lifting columns is higher than 1 cm (0.4 inches).

Solution: Start the "Reset" process.

4. E07

Issue: The load weight exceeds the limit of 120 kg.

Solution: Remove some from the things on the desk to make sure the total weight does not exceed 120 kg.

5. E08

Issue: The input voltage is lower than the required value.

Solution: The error code will automatically disappear when the voltage increases and reaches the limits required by the device.

6. E09

Issue: The input voltage is too high and exceeds the maximum allowed value.

Solution: The error code will disappear automatically when the voltage decreases and reaches the maximum value that the device can support.

7. E10

Issue: The control panel is not connected or does not receive power, while the control box is already connected to a power source.

Solution: Wait 1 second, the error code will disappear automatically. If the problem persists, check the connection cables.

Important Safety Instructions

- Before using this device, read these operating instructions carefully and keep this user manual for future reference.
- Before using the product, check the desk and power cables for any visible signs of damage. If you notice cuts or deep scratches, do not turn on the device.
- Before connecting the product to the power supply, make sure that the power supply voltage is compatible with the parameters of the product.
- Before using it, make sure that the length of the power cable allows you to connect the desk to the power supply.
- The height-adjustable desk contains electronic circuits and should only be used in dry environments. Do not use outdoors or in very dusty environments. Keep away from heat sources and any corrosive materials.
- Keep all electrical components away from liquids. Never touch or handle the desk, power supply, the control box, the panel control or any other cable with wet hands.
- Clean the product only with a clean, dry, soft cloth or cloth. Disconnect from the power supply before moving or cleaning electrical components.
- Do not disassemble the columns, control box and control panel. These actions are considered damage caused by the user.
- This product contains small parts. Make sure they are out of the reach of children. Do not allow children to play with the device. Packing materials must not be used as toys.
- Do not lay or sit on the worktop. This product is not for lifting people.
- Do not exceed the maximum permissible load weight.
- This product can be used in a 10% cycle (2 minutes of operation, followed by 18 minutes pause).
- The manufacturer cannot be held liable or for any damage or injuries resulting from improper use of the desk frame, in other words, non-compliance with these safety instructions and warnings.

Advanced programming



1Un-Display units setting -----	14
2br-Handset brightness setting-----	14
3bE-Voice setting -----	14
4Fu-Go up anti-collision sensitivity setting -----	15
5Fd-Go down anti-collision sensitivity setting -----	15
6FS-Balance sensitivity-----	16
7SH-Setting the new lowest display and height range -----	16
8Hc-Setting Constant-touch & One-touch -----	17
9St-Time Reminder setting -----	17
10H-Setting bounce height -----	17
11r-Restore Factory Defaults -----	18
12d-Fatigue test mode -----	18

1Un- Display units

Change the numeric display to show heights in either inches or centimeters

Press "M" button and hold 3 seconds, handset display "S--" ,Release "M" button,Press "M" button to enter,Display " 1Un",Press "M" button again to confirm the first programming setting.

1. It will display $\begin{matrix} \square \\ \square \\ \square \end{matrix} |$,Press S button to get CM display,wait 2 seconds,centimeters setting is done,It will display current height (cm)

2. After it display $\begin{matrix} \square \\ \square \\ \square \end{matrix} |$,press UP or DOWN ,It will display $\begin{matrix} | \\ | \\ | \end{matrix} \square$,Press button "M",Wait 2 seconds, inches setting is done,It will display current height (Inch)

2br-Handset display brightness

Press "M" button and hold 3 seconds, handset display "S--" ,Release "M" button,Press "M" button to enter,Display " 1Un".

1. Press UP/Down ,It will display 2br.

2. Press "M" to enter,It will display current brightness level $\begin{matrix} \square \\ \square \end{matrix}$

$\begin{matrix} \square \\ \square \end{matrix}$: Means normal brightness, $\begin{matrix} \square \\ \square \\ \square \end{matrix}$: Means low brightness, $\begin{matrix} \square \\ \square \\ \square \\ \square \end{matrix}$: Means high brightness

3. Press UP or DOWN to select the desired brightness level,press "M" button to confirm,wait 2 seconds,It will display current height.

3bE – Handset Sound

Press "M" button and hold 3 seconds, handset display "S--" ,Release "M" button,Press "M" button again to enter,Display " 1Un".

1. Press UP or DOWN,It will display "3bE"

2. Press "M" button,It will display current sound status , $\begin{matrix} \square \\ \square \\ \square \end{matrix} FF$ or $\begin{matrix} \square \\ \square \end{matrix}$

$\begin{matrix} \square \\ \square \\ \square \end{matrix} FF$: Means no sound when you press the button , $\begin{matrix} \square \\ \square \end{matrix}$: Means with sound when you press the button.

3. Press UP or DOWN to select $\begin{matrix} \square \\ \square \\ \square \end{matrix} FF$ or $\begin{matrix} \square \\ \square \end{matrix}$,then Press "M" to confirm,wait 2 seconds,It will display current height.

4Fu- Upward direction anti-collision sensitivity

The desk has an Anti-Collision Sensitivity that will stop the desk's movement if it hits something on the way up. You can change this Sensitivity level by doing the following:

Press "**M**" button and hold 3 seconds, handset display "**S--**" ,Release "**M**" button,Press "**M**" button again to enter,Display " 1Un".

1. Press UP or DOWN ,It will display 4Fu.

2. Press "**M**" button to enter,It will display current anti-collision sensitivity level.Total 9 levels for up from

L 1 to L 9;

L 1 is the most sensitivity setting, L 9 is the least sensitivity setting.

3. Press UP or Down to select the your favorite level,Press "**M**" button to confirm,wait 2 seconds,It will display current height.

5Fd-Downward direction anti-collision sensitivity

The desk has an Anti-Collision Sensitivity that will stop the desk's movement if it hits something on the way down. You can change this Sensitivity level by doing the following:

Press "**M**" button and hold 3 seconds, handset display "**S--**" ,Release "**M**" button,Press "**M**" button again to enter,Display " 1Un".

1.Press UP or DOWN,It will display 5Fd.

2.Press "**M**" button to enter,It will display current anti-collision sensitivity level L5 .Total 9 levels for down

from L 1 to L 9;

L 1 is the most sensitivity setting, L 9 is the least sensitivity setting.

3.Press UP or Down to select the your favorite level,Press "**M**" button to confirm,wait 2 seconds,It will display current height.

6FS-Balance sensitivity

The desk has a balance Sensitivity to make sure the 2 columns always work in the same position . You can change this Sensitivity level by doing the following:

Press "**M**" button and hold 3 seconds, handset display "**S--**" ,Release "**M**" button,Press "**M**" button again to enter,Display " 1Un".

1.Press UP or DOWN ,It will display 6FS.

2.Press "**M**" button to enter,It will display current balance sensitivity level L5.Total 9 levels for down from

L 1 to L 9;

L 1 is the most sensitivity setting, L 9 is the least sensitivity setting.

4. Press UP or Down to select the your favorite level,Press "**M**" button to confirm,wait 2 seconds,It will display current height.

7SH-Setting the new lowest display and height range

The desk frame ships defaulted to its minimum and maximum height limits. These steps allow the upper and lower limits to be adjusted to your preference:

Press "**M**" button and hold 3 seconds, handset display "**S--**" ,Release "**M**" button,Press "**M**" button again to enter,Display " 1Un".

1.Press UP or DOWN ,It will display "**7SH**"

2.Press "**M**" button to enter,It will display H₁ b,Press UP or DWON,It will display L₁ L and L₁ H

H₁ b: Set the lowest position height display L₁ L:Set a new minimum desk height

L₁ H:Set a new maximum desk height

5. Press UP or DOWN ,It will display H₁ b,Press "**M**" button to enter,It will display current lowest height,Press UP or DOWN to set the lowest height display ,Press "**M**" to confirm .

6. Press UP or DOWN ,It will displayL₁ L ,Press "**M**" button to enter,It will display current lowest height,Press UP or DOWN to set a lowest height position ,Press "**M**" to confirm .

7. Press UP or DOWN ,It will displayL₁ H ,Press "**M**" button to enter,It will display current highest height,Press UP or DOWN to set a new highest height position ,Press "**M**" to confirm .

8Hc- Setting Constant-touch & One-touch for go Up or Down

Press "M" button and hold 3 seconds, handset display "S--" ,Release "M" button,Press "M" button again to enter,Display " 1Un".

1. Press UP or DOWN,It will display 8Hc

2. Press " M" button to enter,It will display current mode 00 1 ,Press UP or DOWN,It will display 002

00 1 : Keep pressing UP or DOWN button to make the desk moving up or down.

002 : Press UP or DOWN button and release,the desk will moving up or down automatically; Press any button can stop the desk when it moving.

3. Press "M" to confirm the the way you need,wait 2 seconds,setting is done.

9St-Reminder setting

To get a healthier working style,the desk can remind you to stand up when you sit in a long time,you can set it by doing the following:

Press "M" button and hold 3 seconds, handset display "S--" ,Release "M" button,Press "M" button again to enter,Display " 1Un".

1. Press UP or DOWN go get "9St"

2. Press " M" to enter,It will display " 0.0H",It no time reminder ,(H means Hour)

3. Press UP or DOWN to select the time reminder you need ,(1.5H means 1.5 hours),Press " M" to confirm.

Note: When handset time reminder beep,press any button to make it disappear ; the time reminder will last 30 seconds if no any operations.

10H-Setting bounce height

Press "M" button and hold 3 seconds, handset display "S--" ,Release "M" button,Press "M" button again to enter,Display " 1Un".

1. Press UP or Down to get 10H.

2. Press "M" button to enter,It will show current bounce height.

3. Press UP or DOWN to get the bounce height,Press "M" to confirm;Wait 2 seconds,It will display current height

11r- Restore Factory Defaults

Press "M" button and hold 3 seconds, handset display "S--" ,Release "M" button,Press "M" button again to enter,Display " 1Un".

1. Press UP or DOWN ,It will display 11r
2. Press "M" to enter,It will display `FrE` and flash.
3. Press "M"to confirm,wait 2 seconds,It will display current height.

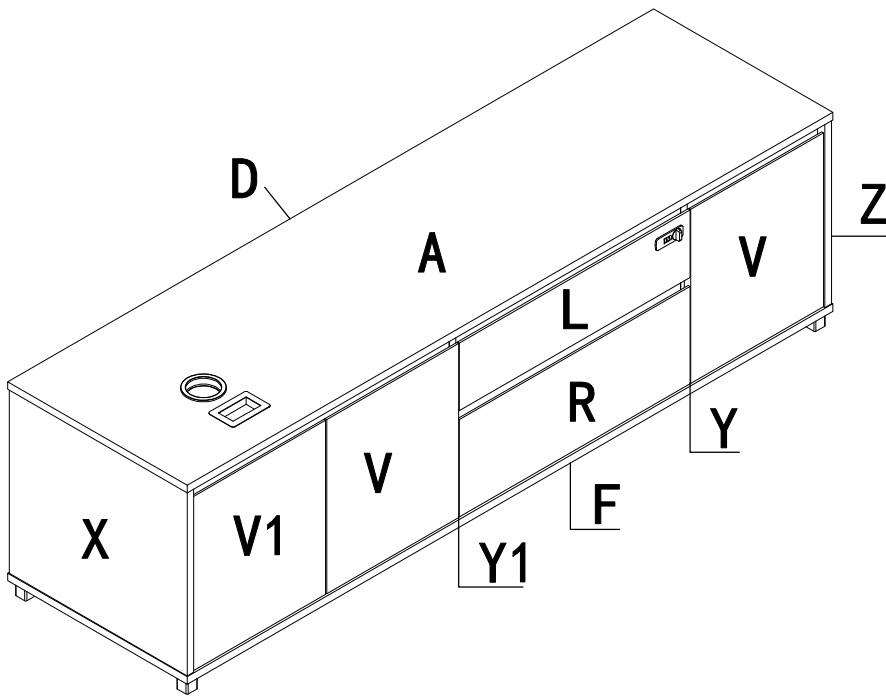
12d-Fatigue test mode

Factory use,please ignore this programming.

Assembly Instructions

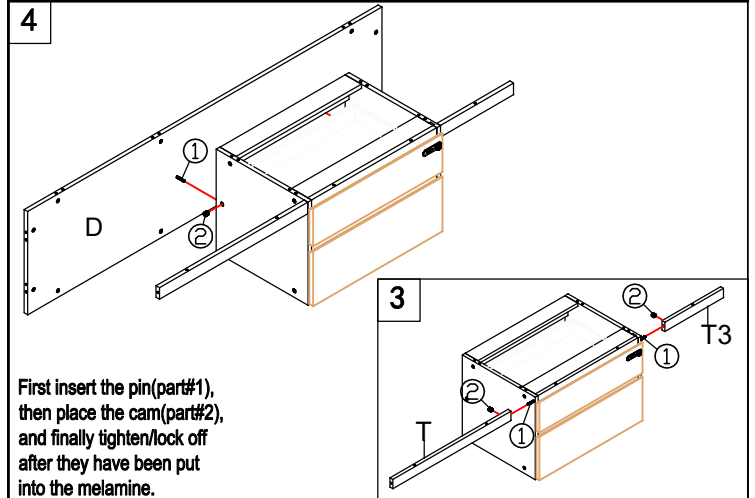
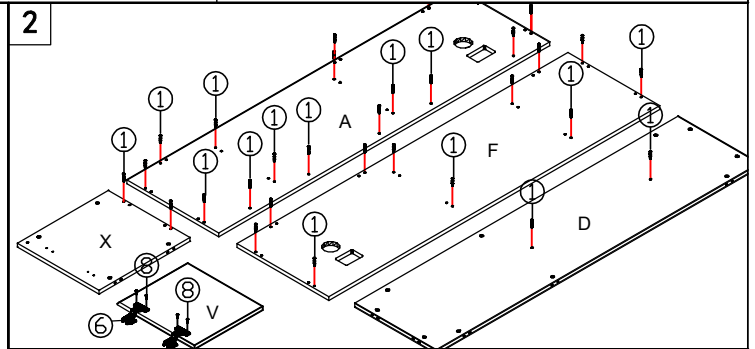
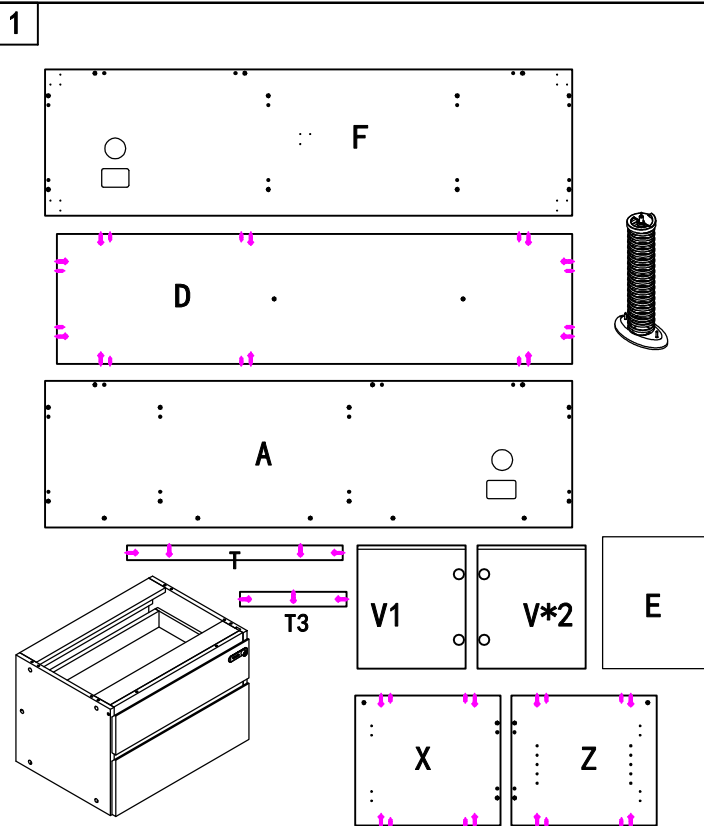
MODEL NO: ECF185-RIG

*For cabinet on right hand side of workstation



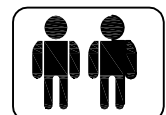
Pin 6×35 1 35PCS	Hinge(half-overlay) 5 2PCS	Cable Cover 9 1PCS
Cam 2 35PCS	Hinge(inset) 6 4PCS	Cable Cover Ø76 10 2PCS
Cam Cover 3 35PCS	Metal Feet 40H 7 5PCS	130×108×30 11 2PCS
Shelf Pin 4 4PCS	Wood Screw 4×16 8 67PCS	Allen Wrench M3 12 1PCS
	Wood Screw 4×35 14 1PCS	118×116×30 13 2PCS

Cable Cover Must Be Removed Before Installing Height Adjustable Column Through Top Of Unit



IMPORTANT NOTE:

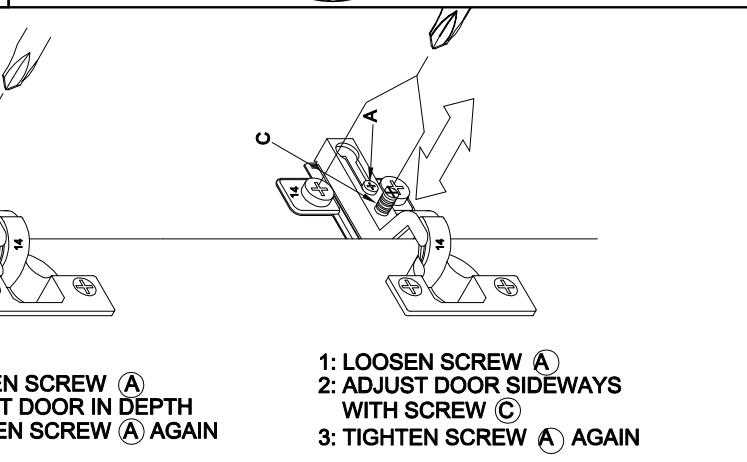
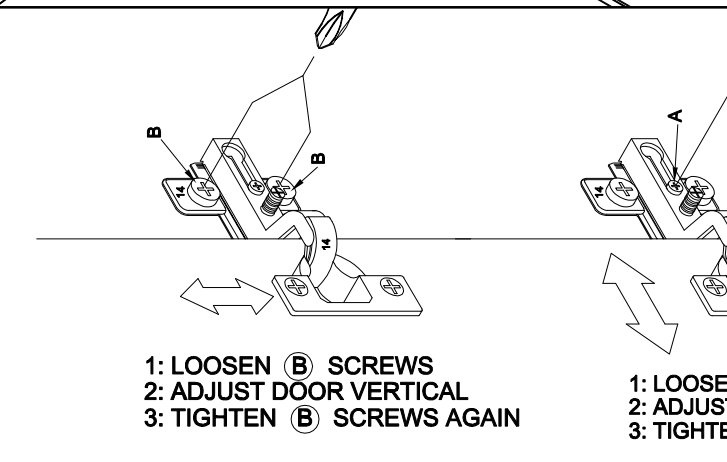
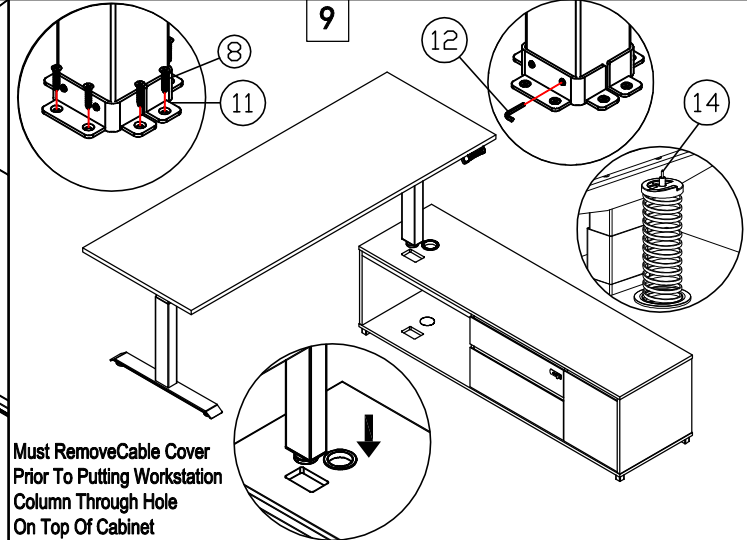
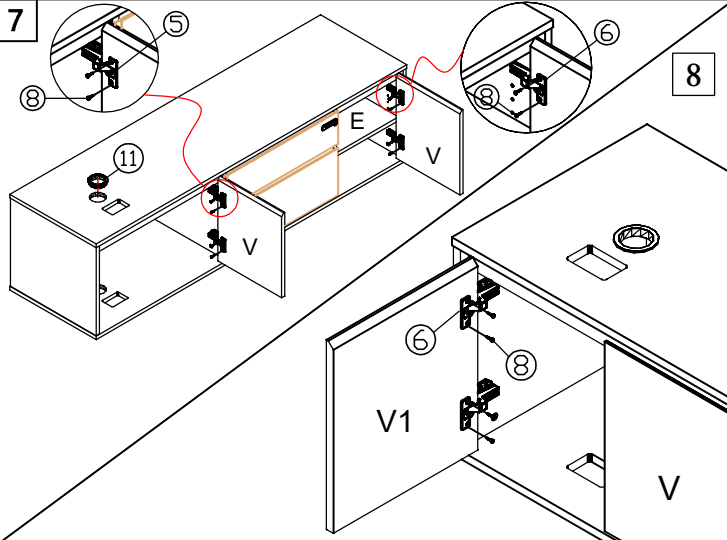
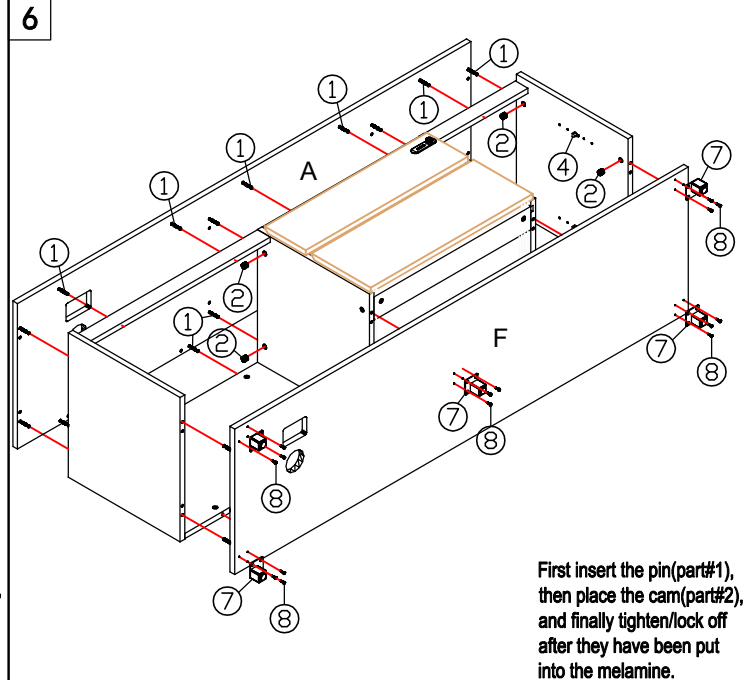
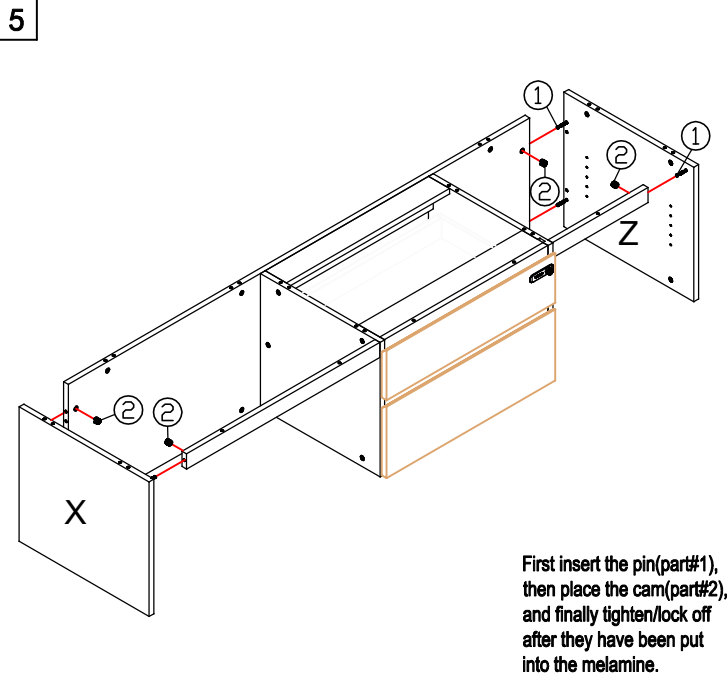
- Place all laminated parts on a clean and smooth surface such as a rug or carpet to avoid the parts from being scratched.
- Check to be sure that you have all parts and hardware.
- Remove all wrapping materials, including staples & packing straps before you start to assemble.
- Don't tighten all screws/bolts until all completely assembled.
- Keep all hardware parts out of reach of children



Assembly Instructions

MODEL NO: ECF185-RIG

*For cabinet on right hand side of workstation



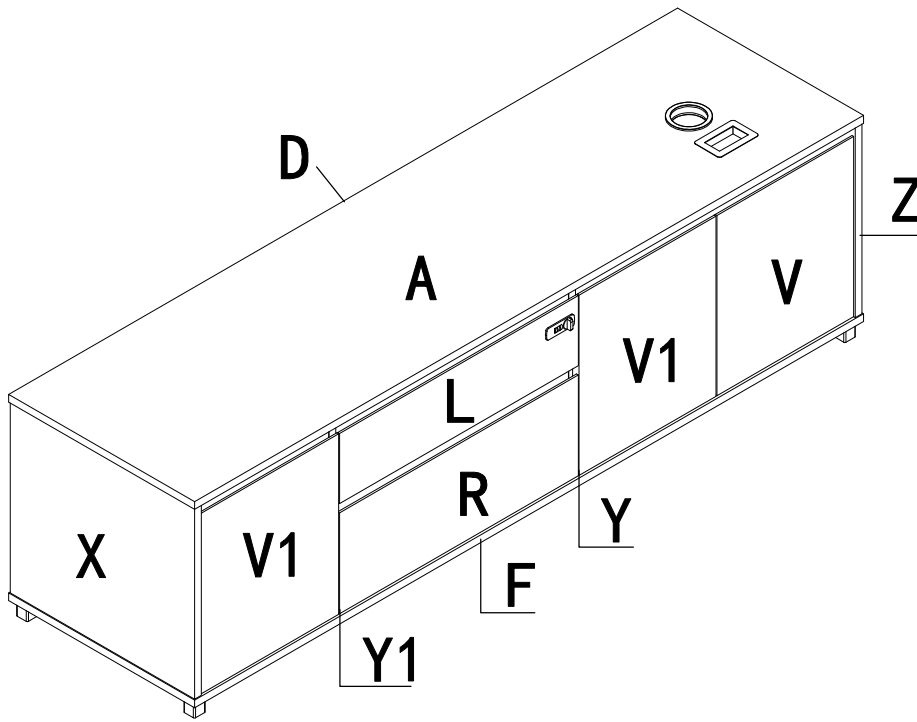
IMPORTANT NOTE:

- Place all laminated parts on a clean and smooth surface such as a rug or carpet to avoid the parts from being scratched.
- Check to be sure that you have all parts and hardware.
- Remove all wrapping materials, including staples & packing straps before you start to assemble.
- Don't tighten all screws/bolts until all completely assembled.
- Keep all hardware parts out of reach of children

Assembly Instructions

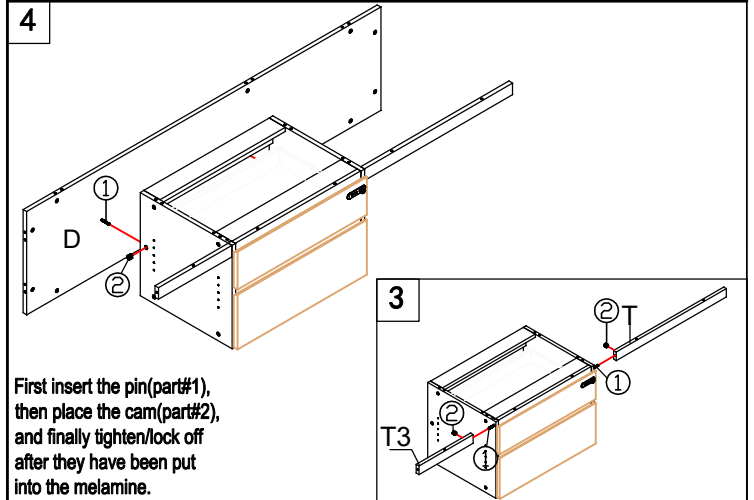
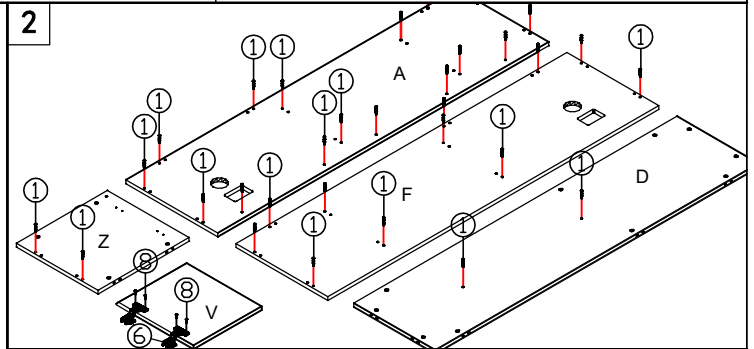
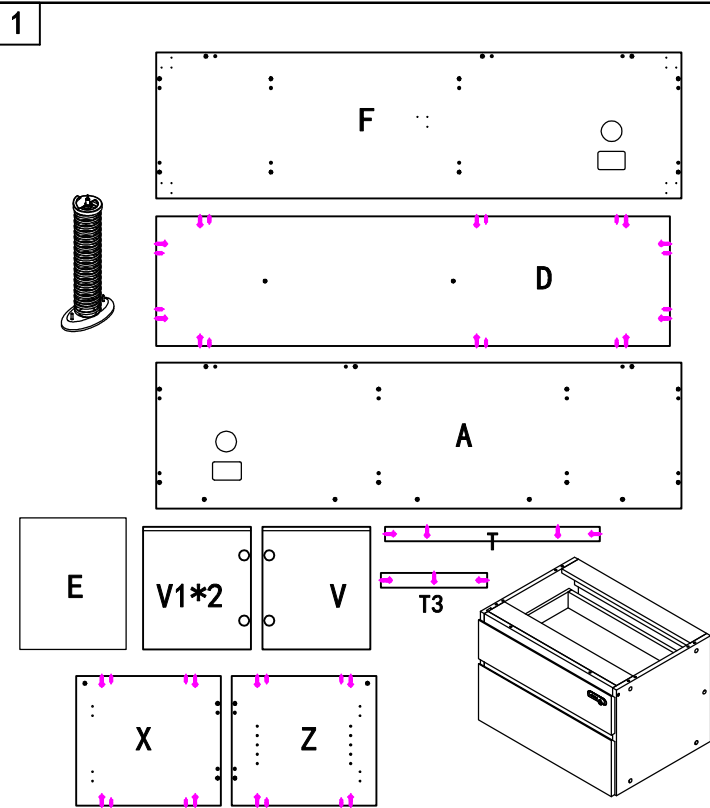
MODEL NO: EC185-LEF

*For cabinet on left hand side of workstation



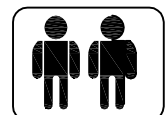
Pin 6×35 1 35PCS	Hinge(half-overlay) 5 2PCS	Cable Cover 9 1PCS
Cam 2 35PCS	Hinge(inset) 6 4PCS	Cable Cover Ø76 10 2PCS
Cam Cover 3 35PCS	Metal Feet 40H 7 5PCS	130×108×30 11 2PCS
Shelf Pin 4 4PCS	Wood Screw 4×16 8 67PCS	Allen Wrench M3 12 1PCS
	Wood Screw 4×35 14 1PCS	118×116×30 13 2PCS

Cable Cover Must Be Removed Before Installing Height Adjustable Column Through Top Of Unit



IMPORTANT NOTE:

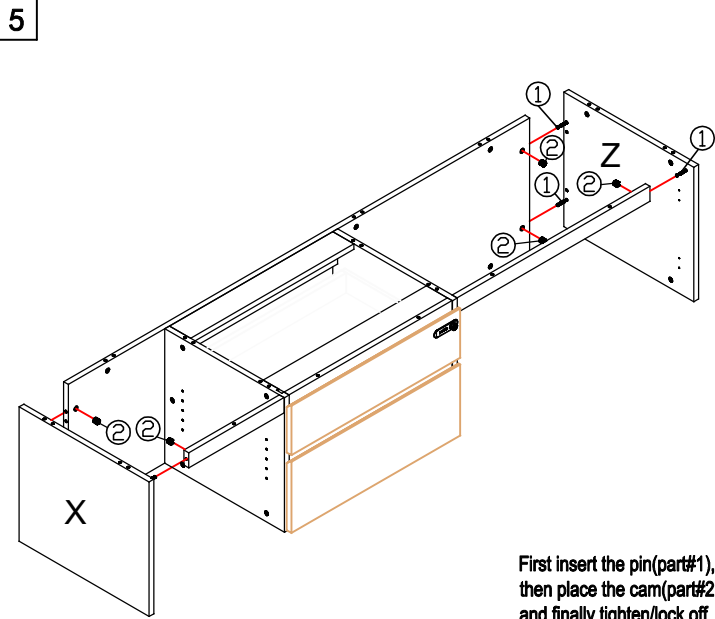
- Place all laminated parts on a clean and smooth surface such as a rug or carpet to avoid the parts from being scratched.
- Check to be sure that you have all parts and hardware.
- Remove all wrapping materials, including staples & packing straps before you start to assemble.
- Don't tighten all screws/bolts until all completely assembled.
- Keep all hardware parts out of reach of children



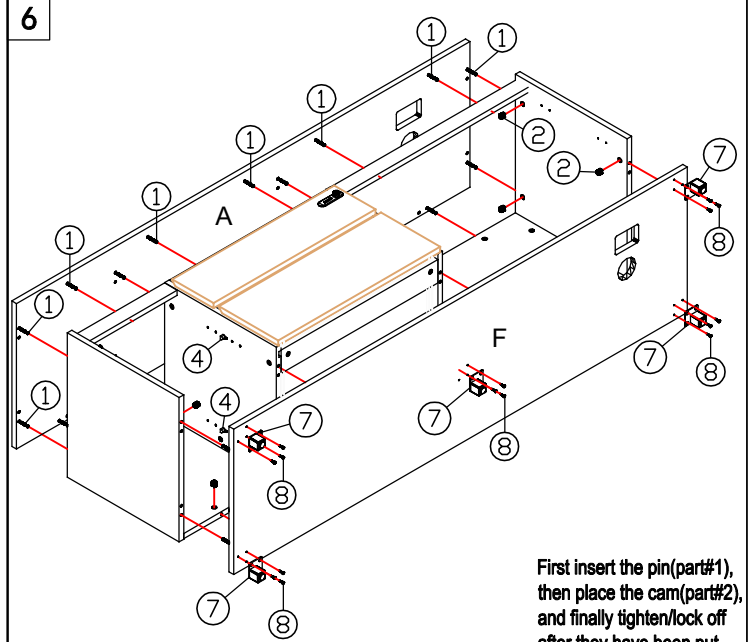
Assembly Instructions

MODEL NO:EC185-LEF

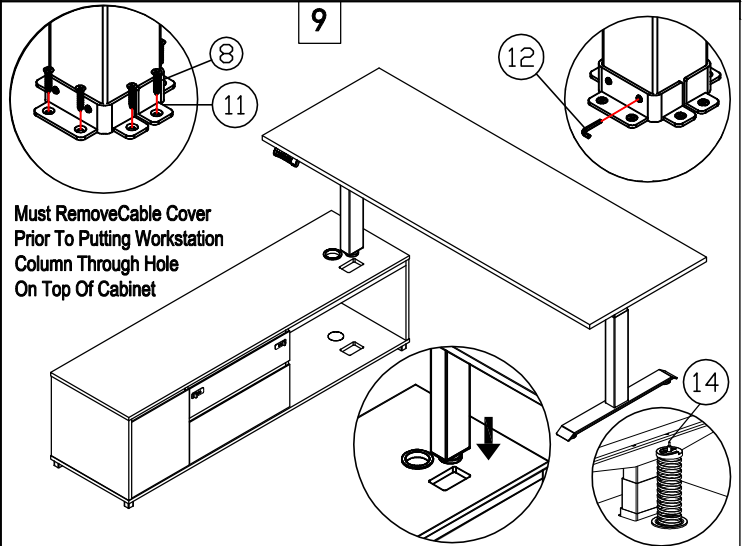
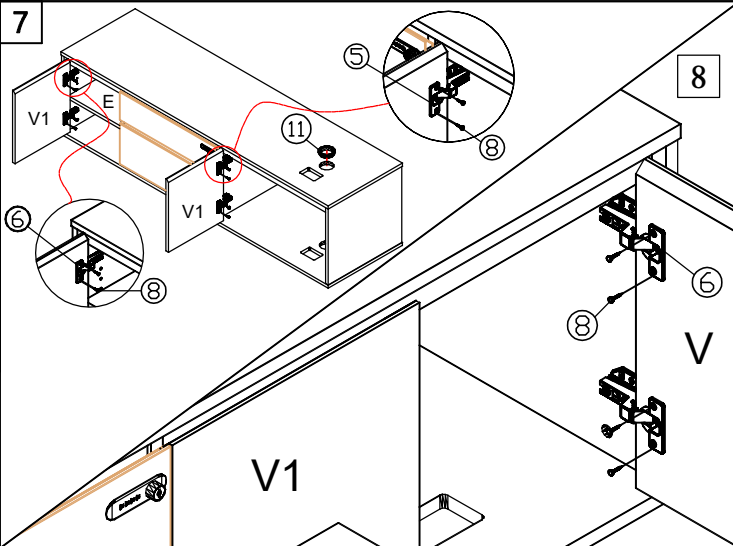
*For cabinet on left hand side of workstation



First insert the pin(part#1), then place the cam(part#2), and finally tighten/lock off after they have been put into the melamine.



First insert the pin(part#1), then place the cam(part#2), and finally tighten/lock off after they have been put into the melamine.



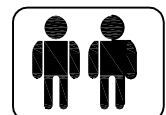
1: LOOSEN (B) SCREWS
2: ADJUST DOOR VERTICAL
3: TIGHTEN (B) SCREWS AGAIN

1: LOOSEN SCREW (A)
2: ADJUST DOOR IN DEPTH
3: TIGHTEN SCREW (A) AGAIN

1: LOOSEN SCREW (A)
2: ADJUST DOOR SIDEWAYS WITH SCREW (C)
3: TIGHTEN SCREW (A) AGAIN

IMPORTANT NOTE:

- Place all laminated parts on a clean and smooth surface such as a rug or carpet to avoid the parts from being scratched.
- Check to be sure that you have all parts and hardware.
- Remove all wrapping materials, including staples & packing straps before you start to assemble.
- Don't tighten all screws/bolts until all completely assembled.
- Keep all hardware parts out of reach of children



OPERATING INSTRUCTIONS

FOR  COMBI-PUBLIC



No. 822

No. 822Z

No. 838Z

No. 824

No. 826

No. 828

No. 834

■ TO CHANGE THE SECRET CODE

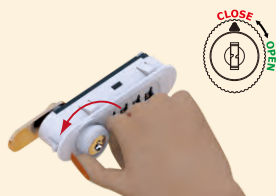


1. THE PRESET FACTORY CODE IS 0-0-0-0. TO CHANGE THE SECRET CODE, ROTATE THE KNOB TO OPEN POSITION.



2. THE NEW SECRET CODE CAN BE RESET, E.G. 1-1-1-1.

■ TO LOCK



1. TURN THE DIALS TO THE SET CODE, E.G. 1-1-1-1 AND ROTATE THE KNOB TO CLOSE POSITION.

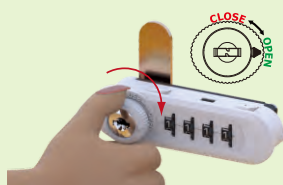


2. TURN THE DIALS TO ANY NUMBER, E.G. 2-2-2-2 FOR LOCKING.

■ TO UNLOCK



1. TURN THE DIALS TO THE PREVIOUSLY SET SECRET CODE, E.G. 1-1-1-1.



2. ROTATE THE KNOB TO OPEN POSITION.

■ TO RECOVER THE SECRET CODE WHEN THE LOCK IS IN CLOSE POSITION



1. INSERT THE KEY INTO THE KNOB AND TURN TO OPEN POSITION DIRECTION UNTIL STOP.



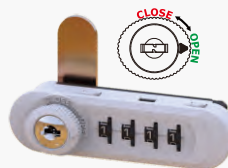
2. TURN EACH OF THE DIALS UNTIL IT CANNOT MOVE (ALL FOUR DIALS) TO RECOVER THE FORGOTTEN SECRET CODE.



3. TURN THE KEY TO CLOSE POSITION DIRECTION UNTIL STOP AND PULL THE KEY OUT. THE LOCK CAN NOW BE USED NORMALLY.

HOW TO SWITCH BETWEEN FUNCTIONS

■ FROM  PRIVATE TO  PUBLIC



1. THE LOCK IS IN OPEN POSITION.



2. SLIDE THE FUNCTION SWAP BUTTON TO PUBLIC TO CHANGE THE FUNCTION TO COMBI-PUBLIC.

FOR STEP 2, REMOVE THE CAM SHOULD IT OBSTRUCT THE SWAP BUTTON.

■ FROM  PUBLIC TO  PRIVATE



1. THE LOCK IS IN OPEN POSITION. THE SECRET CODE CAN BE RESET RIGHT AWAY E.G. 1-1-1-1.



2. ROTATE THE KNOB TO CLOSE POSITION.



3. SLIDE THE FUNCTION SWAP BUTTON TO PRIVATE.



4. ROTATE THE KNOB TO OPEN POSITION TO CHANGE THE FUNCTION TO COMBI-PRIVATE.

FOR STEP 3 REMOVE THE CAM SHOULD IT OBSTRUCT THE FUNCTION SWAP BUTTON.