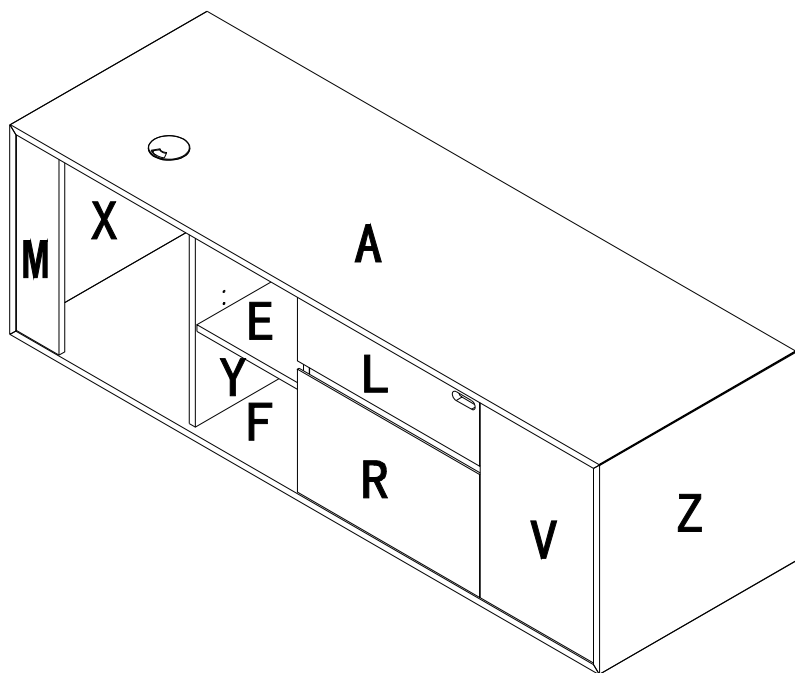


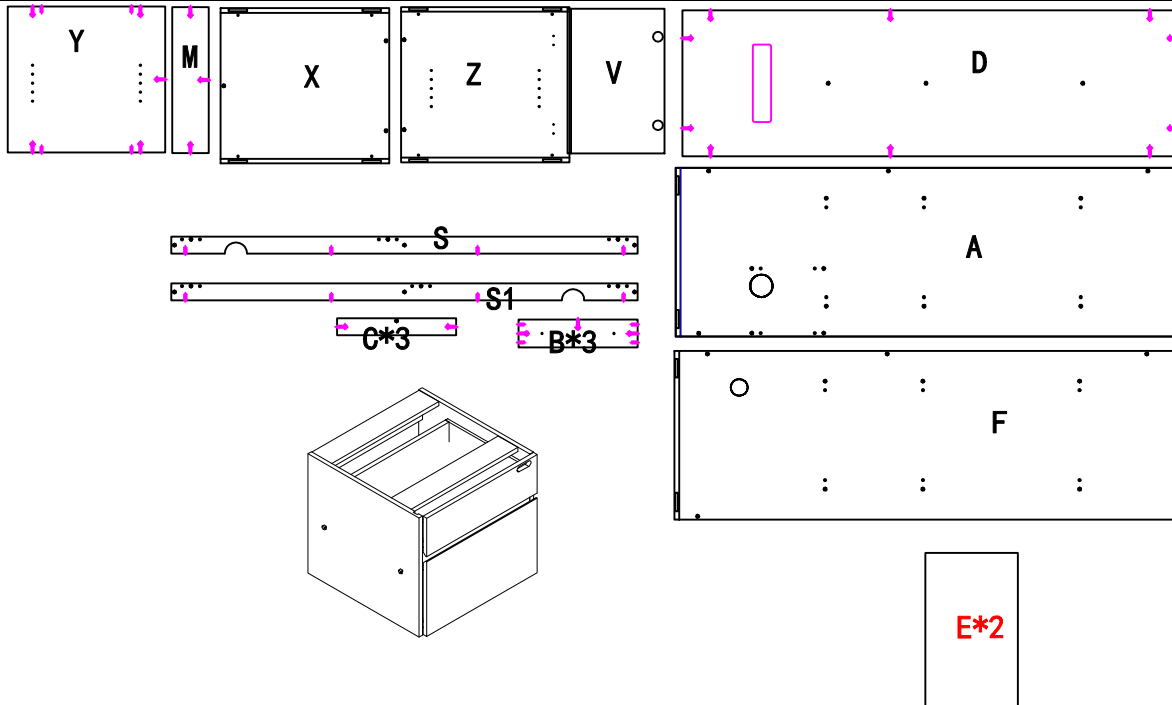
# Assembly Instructions

MODEL NO:M2-SC1860-RIG/M2-SC186-RIG



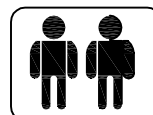
Pin 6x35 1 43PCS	Shelf Pin 5 8PCS	73x23x15 11 2PCS
Cam 2 43PCS	ADJ. Feet ø18x5H 6 8PCS	ø6x40 12 2PCS
Cam Cover 3 43PCS	Wood Screw 4x16 7 18PCS	Wood Screw 4x40 13 2PCS
Hinge(inset) 4 2PCS	300x80 8 1PCS	
Allen Wrench M4 10 1PCS	Wood Screw 4x30 9 6PCS	

## STEP1



### IMPORTANT NOTE:

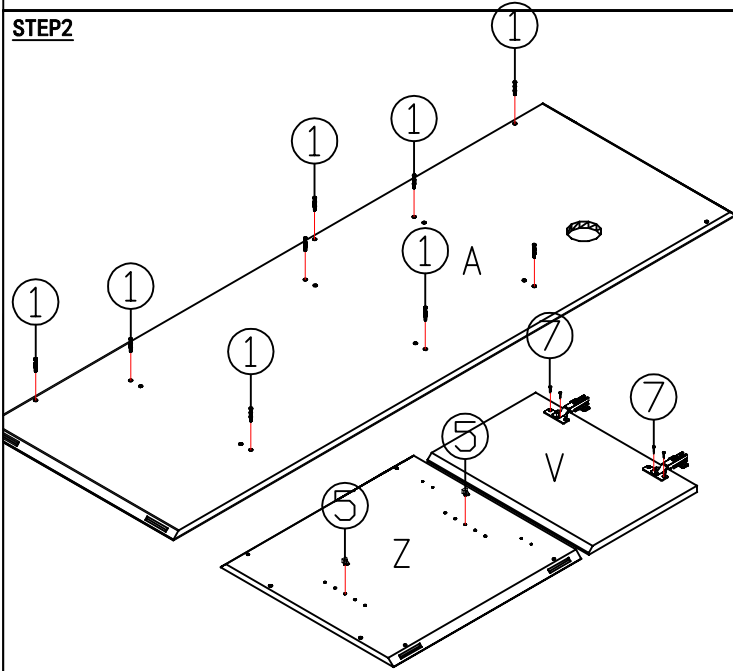
- Place all laminated parts on a clean and smooth surface such as a rug or carpet to avoid the parts from being scratched.
- Check to be sure that you have all parts and hardware.
- Remove all wrapping materials, including staples & packing straps before you start to assemble.
- Don't tighten all screws/bolts until all completely assembled.
- Keep all hardware parts out of reach of children



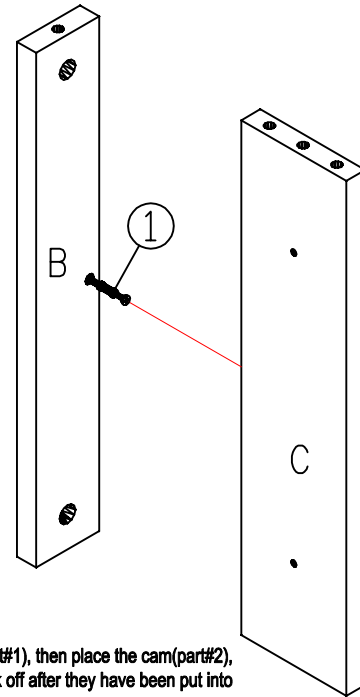
# Assembly Instructions

MODEL NO: M2-SC1860-RIG/M2-SC186-RIG

## STEP2

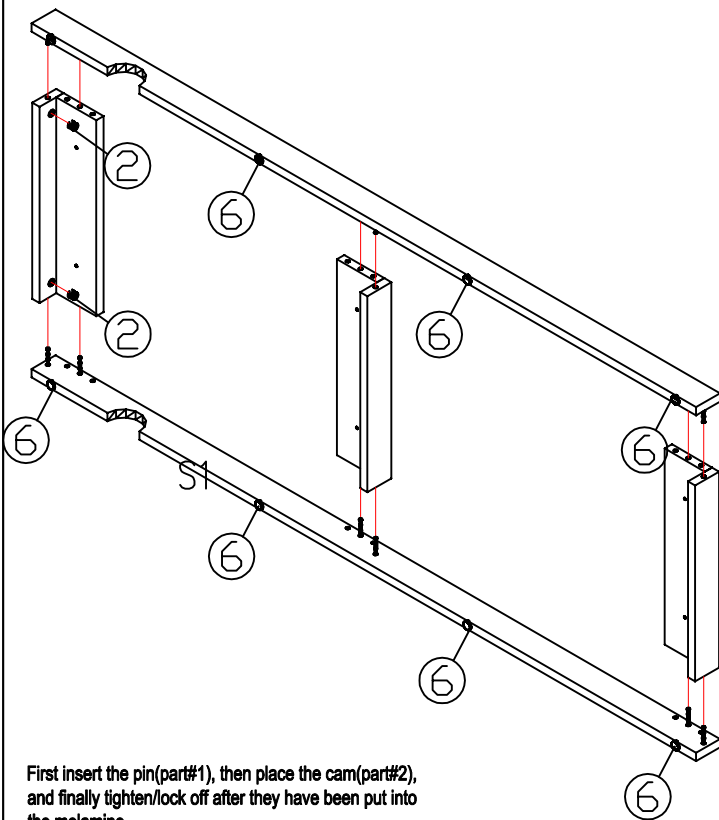


## STEP3



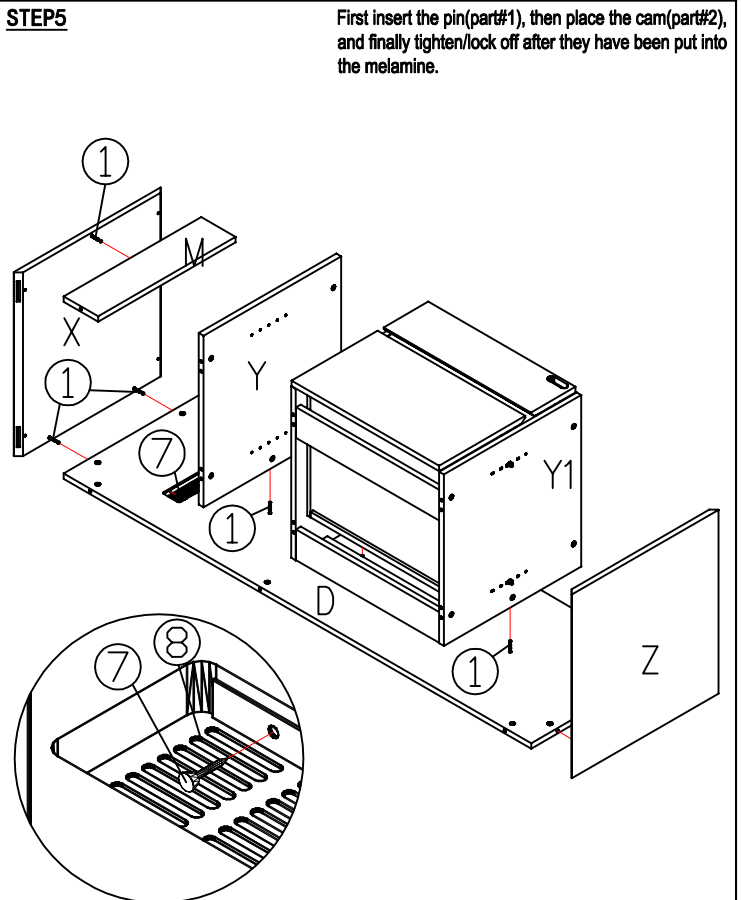
First insert the pin(part#1), then place the cam(part#2), and finally tighten/lock off after they have been put into the melamine.

## STEP4



First insert the pin(part#1), then place the cam(part#2), and finally tighten/lock off after they have been put into the melamine.

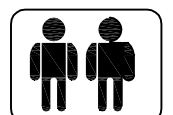
## STEP5



First insert the pin(part#1), then place the cam(part#2), and finally tighten/lock off after they have been put into the melamine.

### IMPORTANT NOTE:

- Place all laminated parts on a clean and smooth surface such as a rug or carpet to avoid the parts from being scratched.
- Check to be sure that you have all parts and hardware.
- Remove all wrapping materials, including staples & packing straps before you start to assemble.
- Don't tighten all screws/bolts until all completely assembled.
- Keep all hardware parts out of reach of children

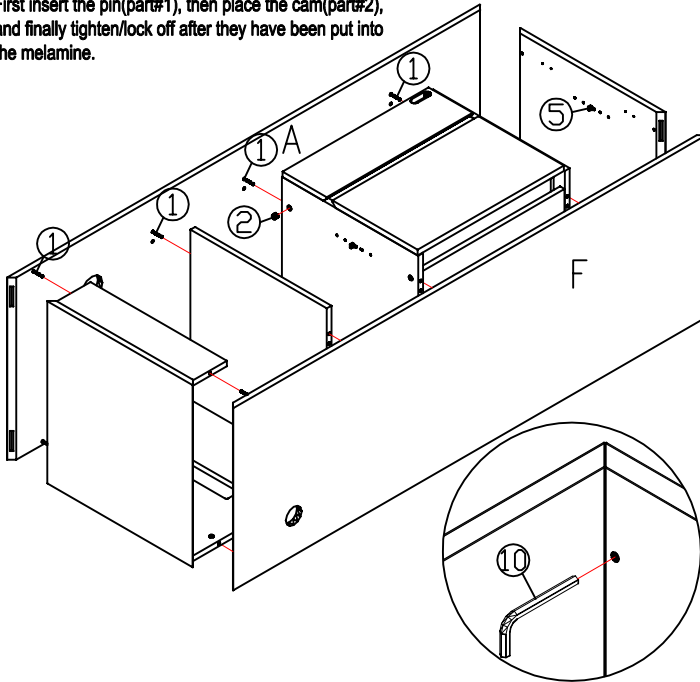


# Assembly Instructions

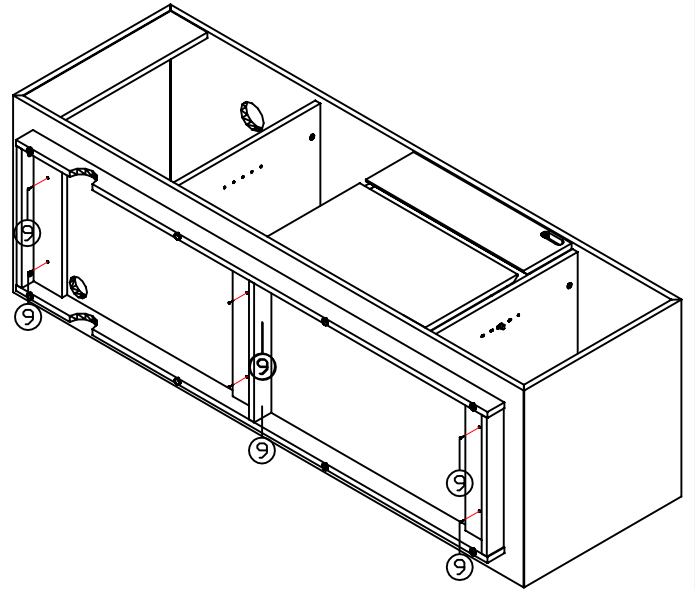
MODEL NO: M2-SC1860-RIG/M2-SC186-RIG

## STEP6

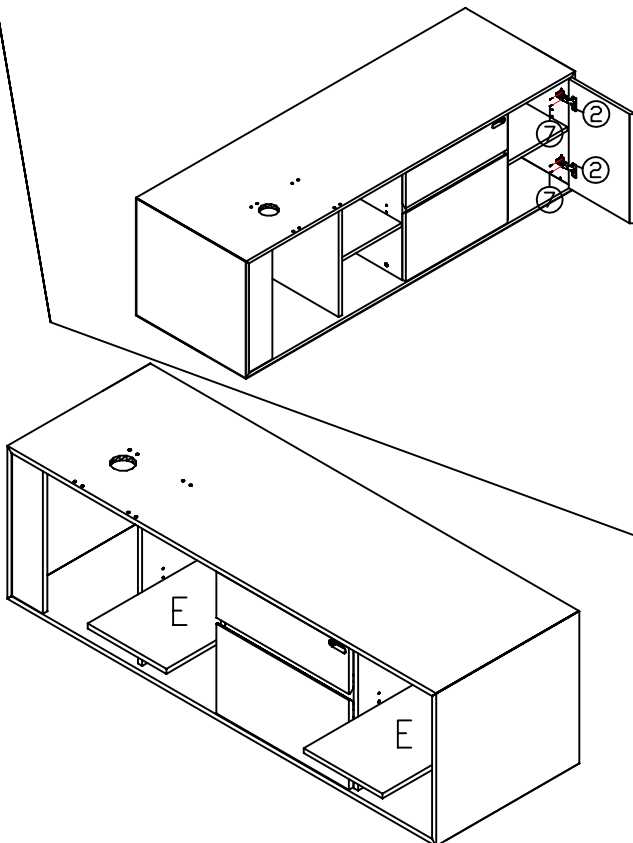
First insert the pin(part#1), then place the cam(part#2), and finally tighten/lock off after they have been put into the melamine.



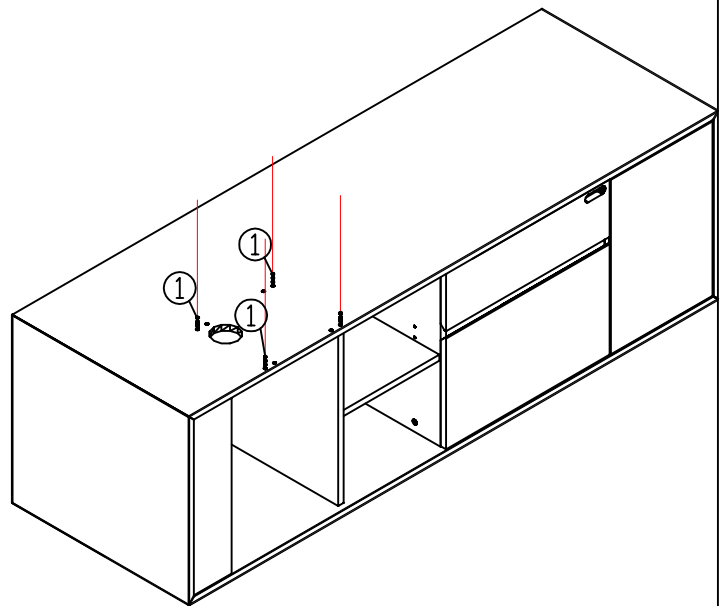
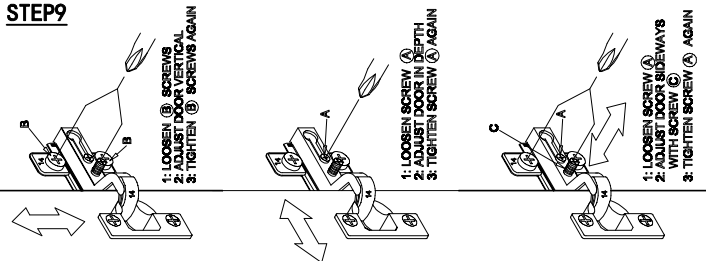
## STEP7



## STEP8

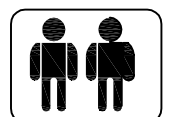


## STEP9



### IMPORTANT NOTE:

- Place all laminated parts on a clean and smooth surface such as a rug or carpet to avoid the parts from being scratched.
- Check to be sure that you have all parts and hardware.
- Remove all wrapping materials, including staples & packing straps before you start to assemble.
- Don't tighten all screws/bolts until all completely assembled.
- Keep all hardware parts out of reach of children



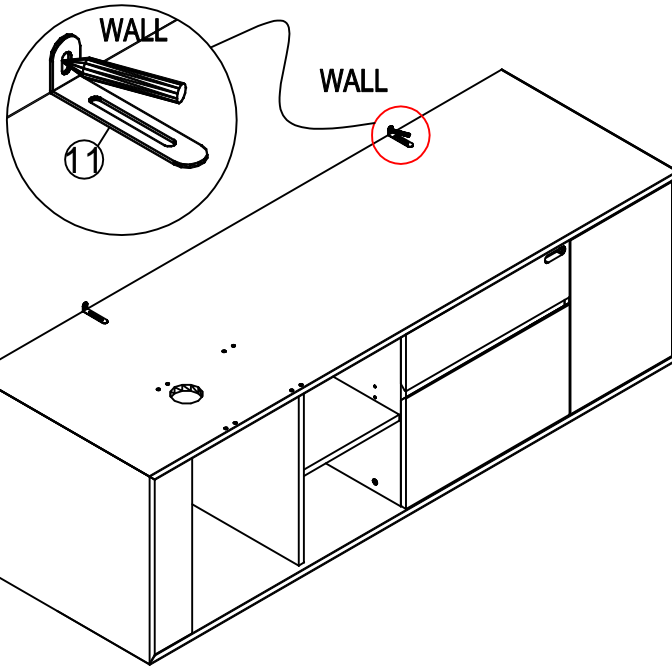
# Assembly Instructions

MODEL NO: M2-SC1860-RIG/M2-SC186-RIG

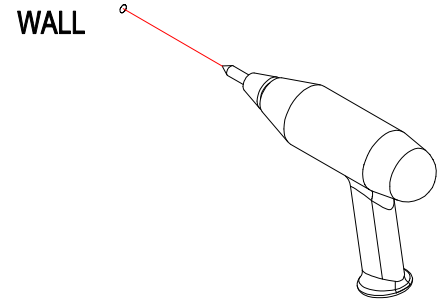
The warning sticker provided within this hardware kit **MUST** be attached to the piece furniture in a place that is 100% visible when the item is empty.

## STEP10

Make a mark with a pencil

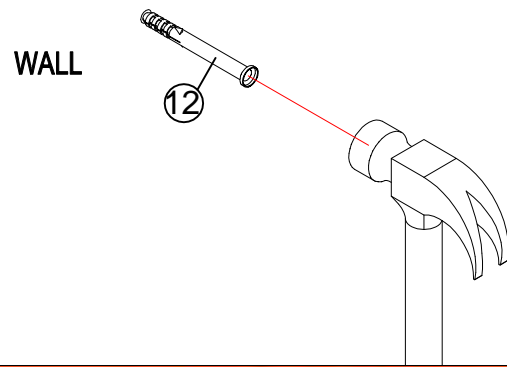


## STEP11

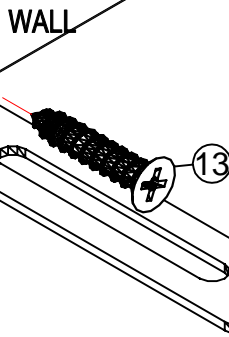


Drill holes at the marks with an electric drill

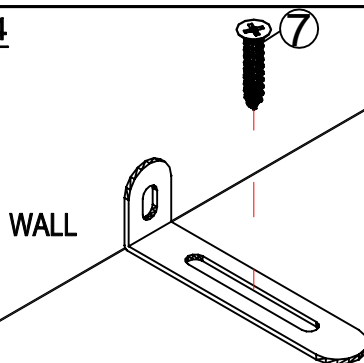
## STEP12



## STEP13



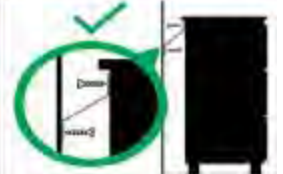
## STEP14



## WARNING



NEVER put a TV on this Furniture



**This furniture type is at high risk of toppling over.**

**Children have died from furniture tipover.**

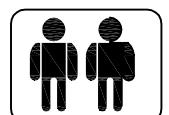
- ALWAYS secure it with an anchor device.
- NEVER allow children to stand, climb or hang on drawers, doors or shelves,
- NEVER open more than one drawer at a time
- PLACE heavy items down low.

Ask staff for more information or visit  
<http://www.productsafety.gov.au>

This is a permanent label. Do not remove!

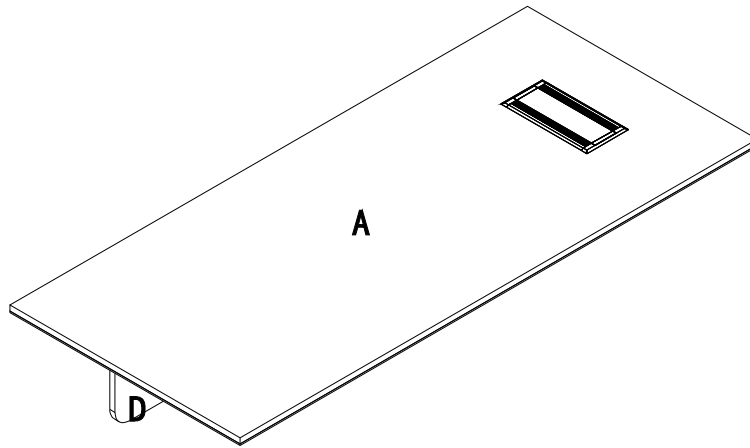
### IMPORTANT NOTE:

- Place all laminated parts on a clean and smooth surface such as a rug or carpet to avoid the parts from being scratched.
- Check to be sure that you have all parts and hardware.
- Remove all wrapping materials, including staples & packing straps before you start to assemble.
- Don't tighten all screws/bolts until all completely assembled.
- Keep all hardware parts out of reach of children



# Assembly Instructions

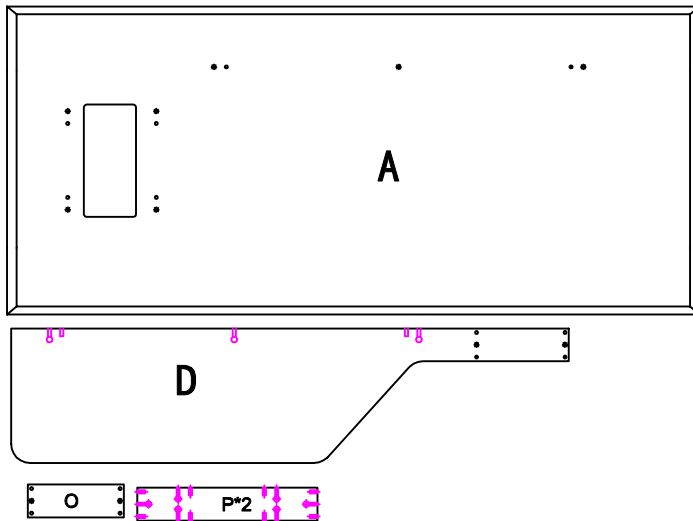
MODEL NO: M2-TM188-RIG



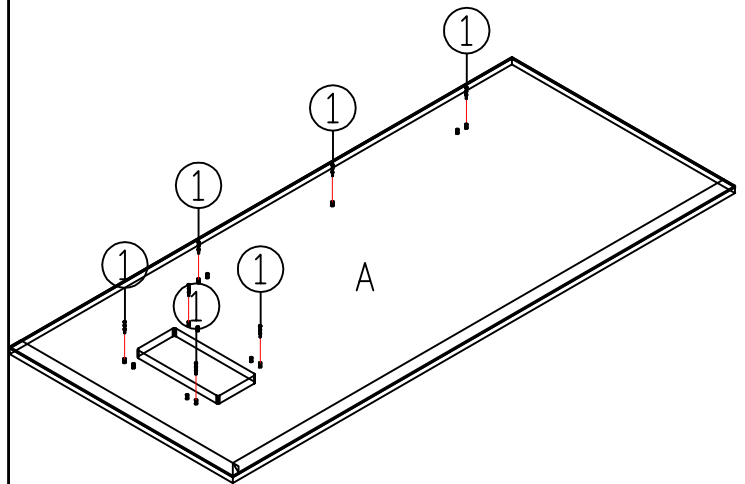
Pin 6x35	1
15PCS	
Cam	2
15PCS	
Cam Cover	3
15PCS	
Cable Cover 300x145 A23-1	4
1PCS	

the table top is to be used with M2-SC186-RIG Cupboard

## STEP1

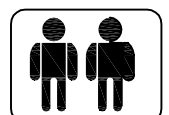


## STEP2



### IMPORTANT NOTE:

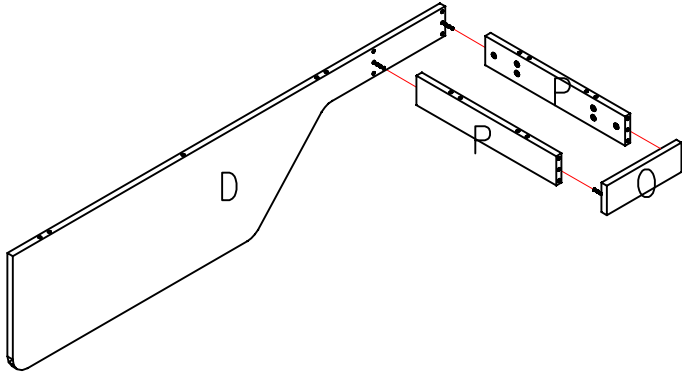
- Place all laminated parts on a clean and smooth surface such as a rug or carpet to avoid the parts from being scratched.
- Check to be sure that you have all parts and hardware.
- Remove all wrapping materials, including staples & packing straps before you start to assemble.
- Don't tighten all screws/bolts until all completely assembled.
- Keep all hardware parts out of reach of children



# Assembly Instructions

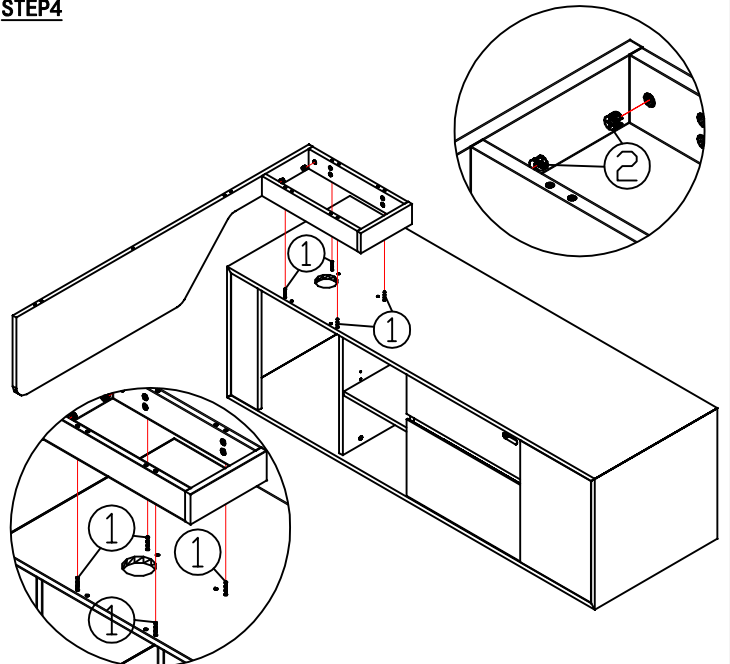
MODEL NO: M2-TM188-RIG

## STEP3



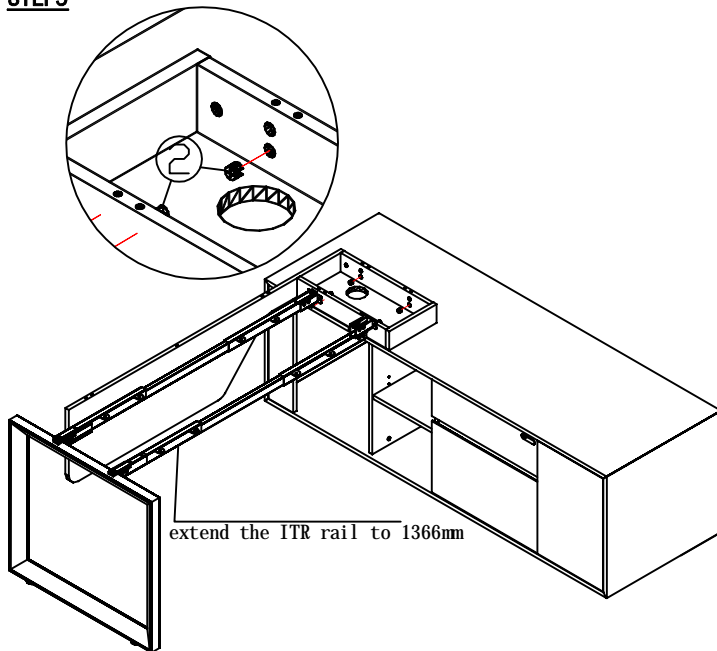
First insert the pin(part#1), then place the cam(part#2), and finally tighten/lock off after they have been put into the melamine.

## STEP4



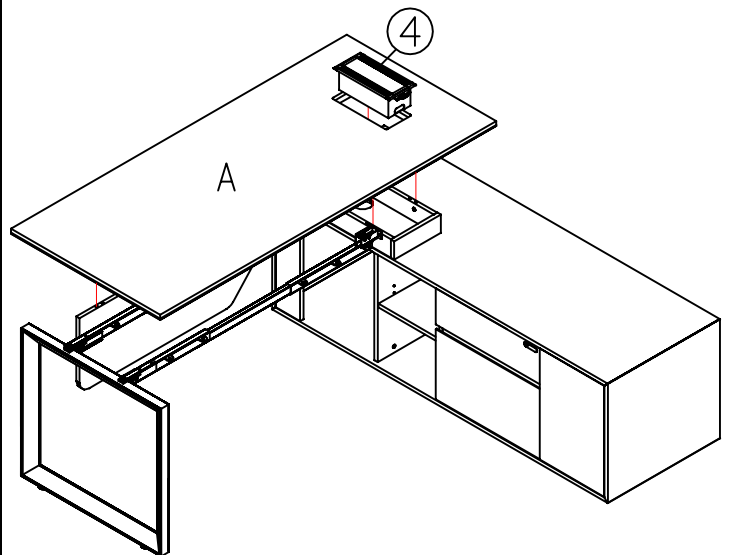
First insert the pin(part#1), then place the cam(part#2), and finally tighten/lock off after they have been put into the melamine.

## STEP5



First insert the pin(part#1), then place the cam(part#2), and finally tighten/lock off after they have been put into the melamine.

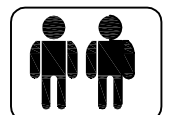
## STEP6



First insert the pin(part#1), then place the cam(part#2), and finally tighten/lock off after they have been put into the melamine.

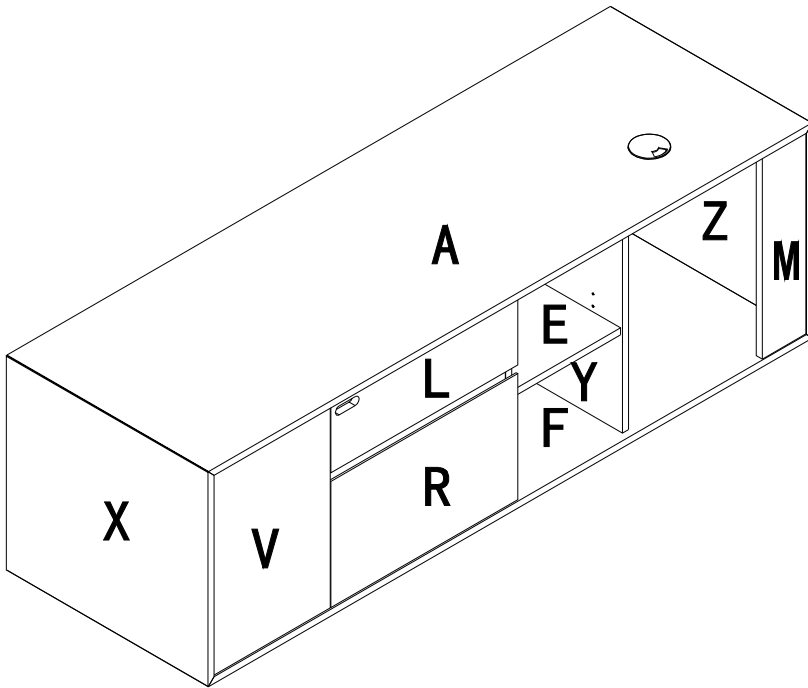
### IMPORTANT NOTE:

- Place all laminated parts on a clean and smooth surface such as a rug or carpet to avoid the parts from being scratched.
- Check to be sure that you have all parts and hardware.
- Remove all wrapping materials, including staples & packing straps before you start to assemble.
- Don't tighten all screws/bolts until all completely assembled.
- Keep all hardware parts out of reach of children

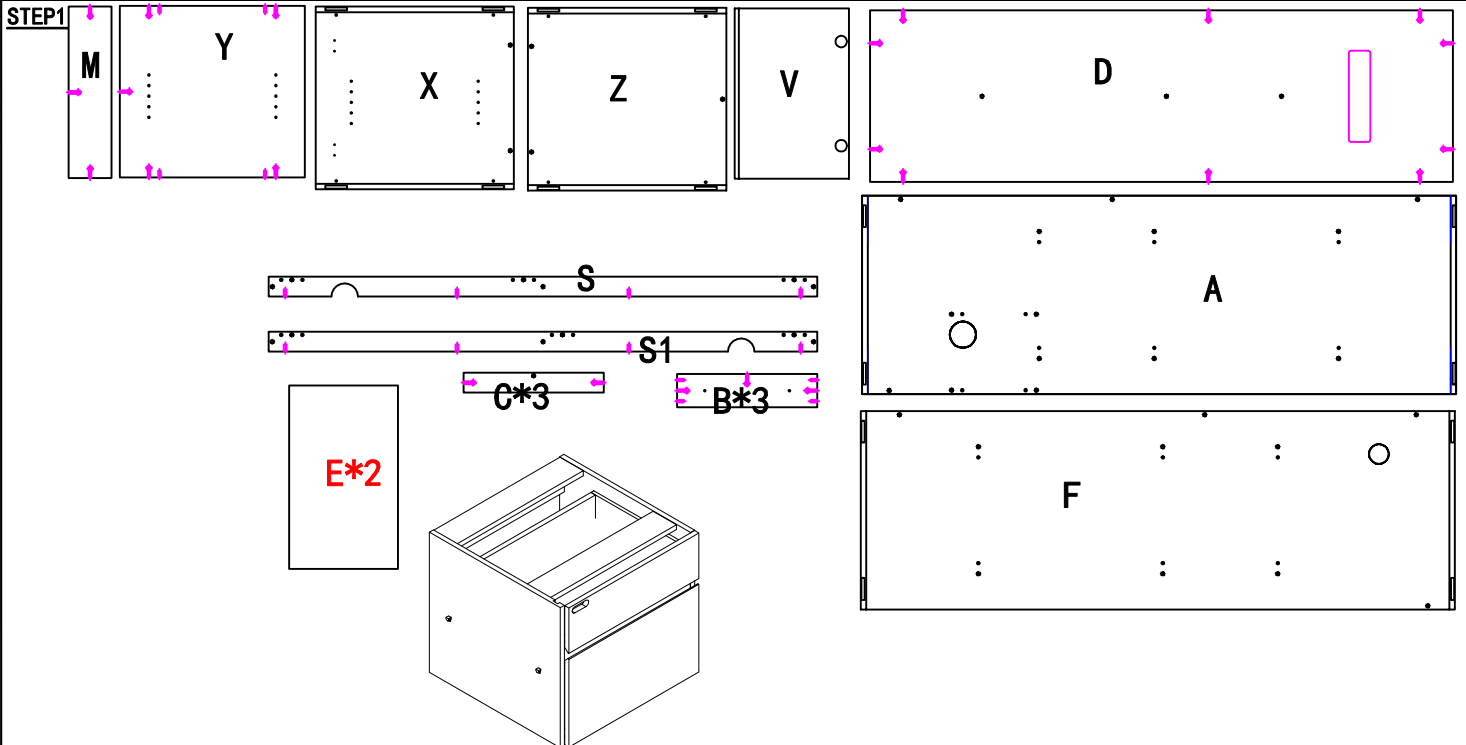


# Assembly Instructions

MODEL NO:M2-SC186-LEF

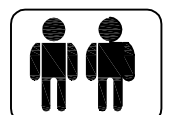


Pin 6×35 1 43PCS	Shelf Pin 5 8PCS	73×23×15 11 2PCS
Cam 2 43PCS	ADJ. Feet ø18×5H 6 8PCS	ø6×40 12 2PCS
Cam Cover 3 43PCS	Wood Screw 4×16 7 18PCS	Wood Screw 4×40 13 2PCS
Hinge(inset) 4 2PCS	300x80 8 1PCS	
Allen Wrench M4 10 1PCS	Wood Screw 4×30 9 6PCS	



## IMPORTANT NOTE:

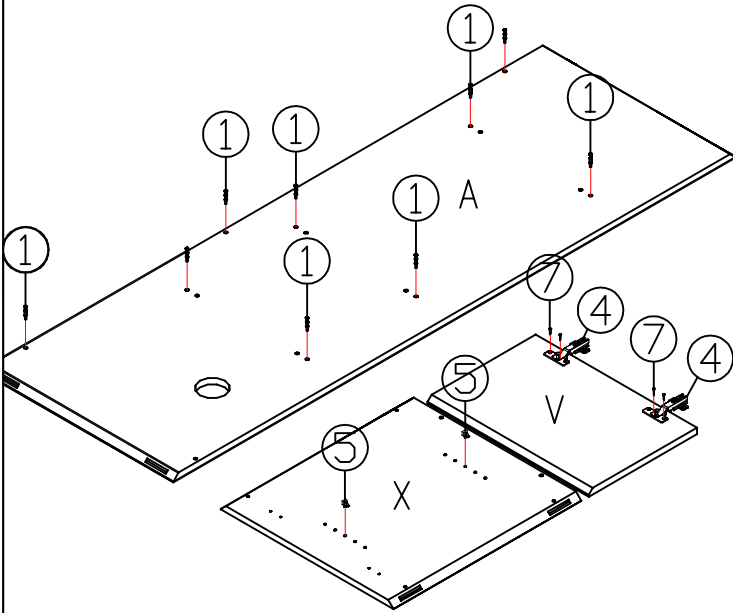
- Place all laminated parts on a clean and smooth surface such as a rug or carpet to avoid the parts from being scratched.
- Check to be sure that you have all parts and hardware.
- Remove all wrapping materials, including staples & packing straps before you start to assemble.
- Don't tighten all screws/bolts until all completely assembled.
- Keep all hardware parts out of reach of children



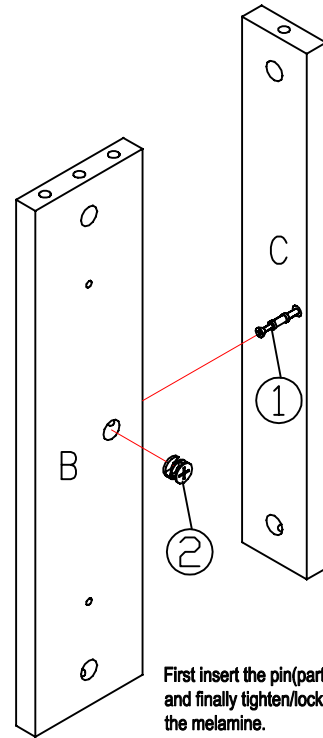
# Assembly Instructions

MODEL NO:M2-SC186-LEF

## STEP2

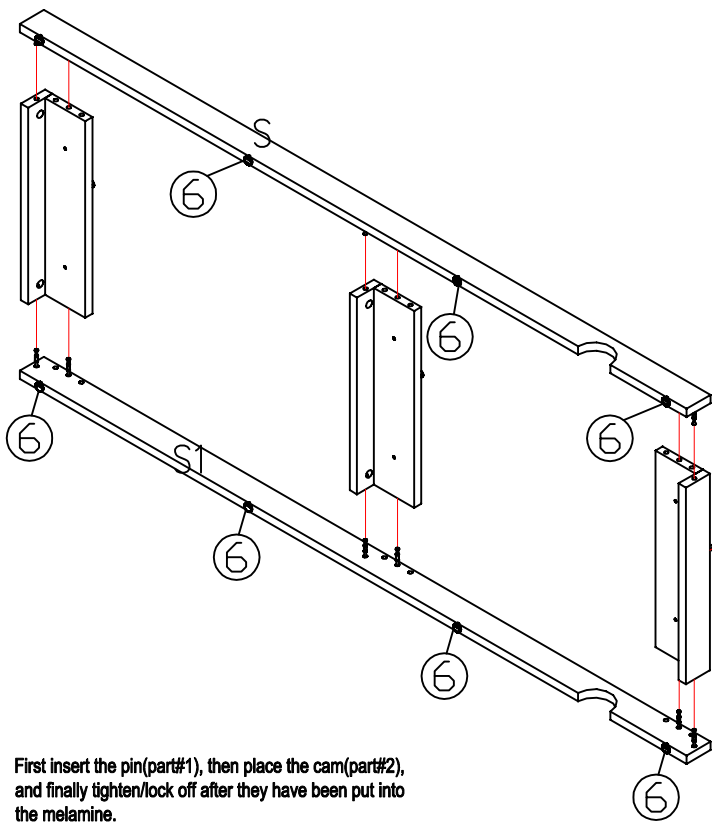


## STEP3



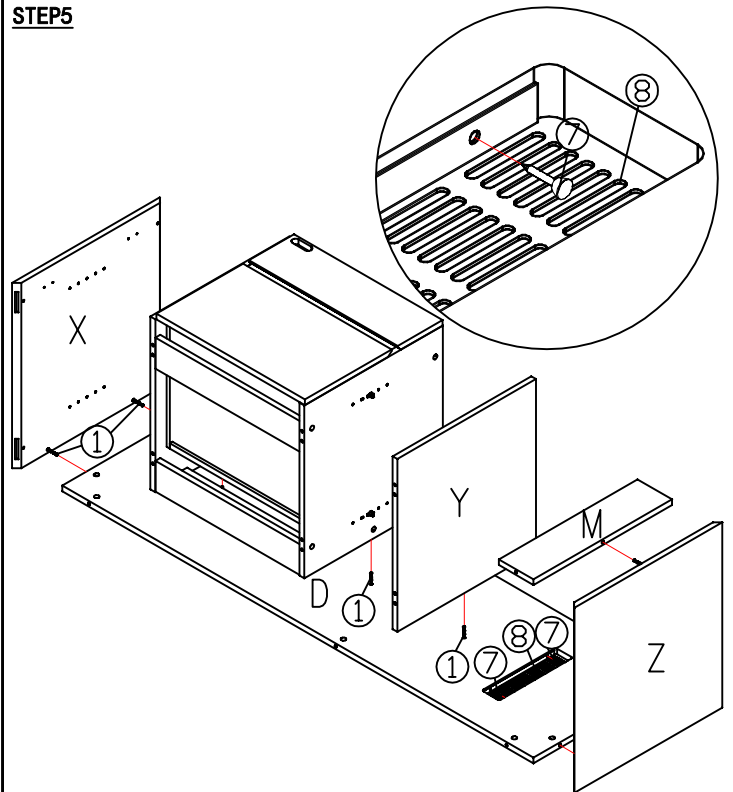
First insert the pin(part#1), then place the cam(part#2), and finally tighten/lock off after they have been put into the melamine.

## STEP4



First insert the pin(part#1), then place the cam(part#2), and finally tighten/lock off after they have been put into the melamine.

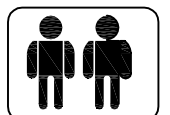
## STEP5



First insert the pin(part#1), then place the cam(part#2), and finally tighten/lock off after they have been put into the melamine.

### IMPORTANT NOTE:

- Place all laminated parts on a clean and smooth surface such as a rug or carpet to avoid the parts from being scratched.
- Check to be sure that you have all parts and hardware.
- Remove all wrapping materials, including staples & packing straps before you start to assemble.
- Don't tighten all screws/bolts until all completely assembled.
- Keep all hardware parts out of reach of children

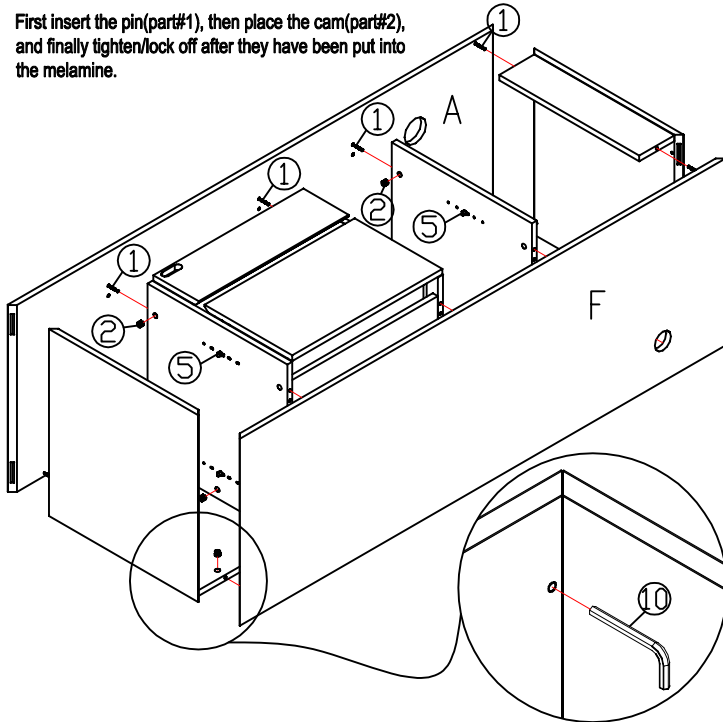


# Assembly Instructions

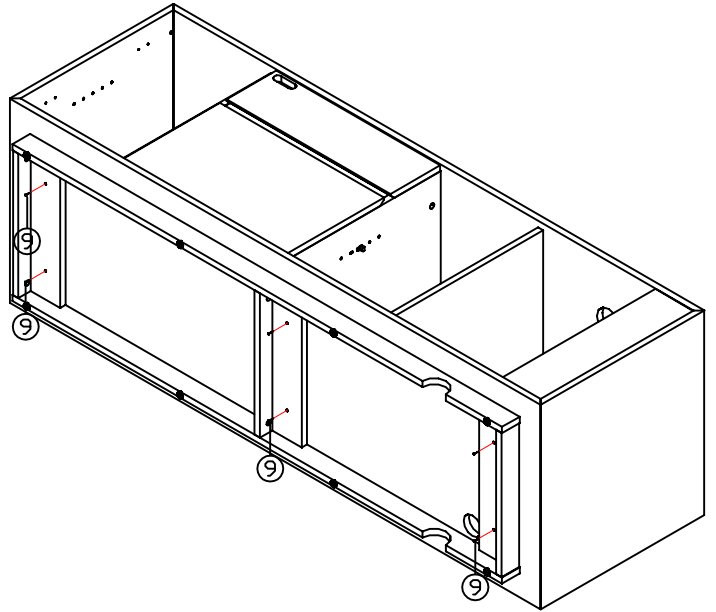
MODEL NO:M2-SC186-LEF

## STEP6

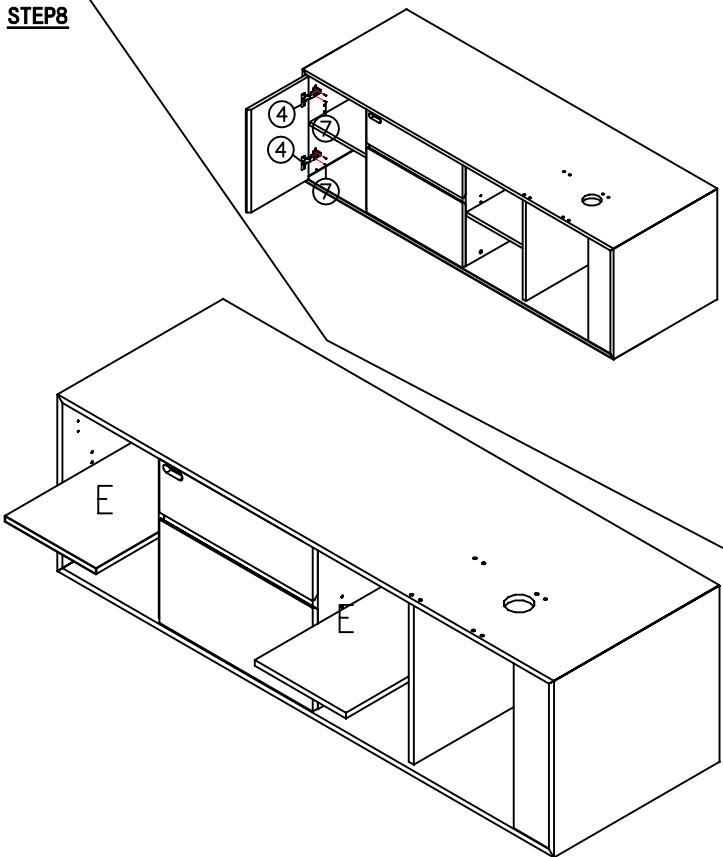
First insert the pin(part#1), then place the cam(part#2), and finally tighten/lock off after they have been put into the melamine.



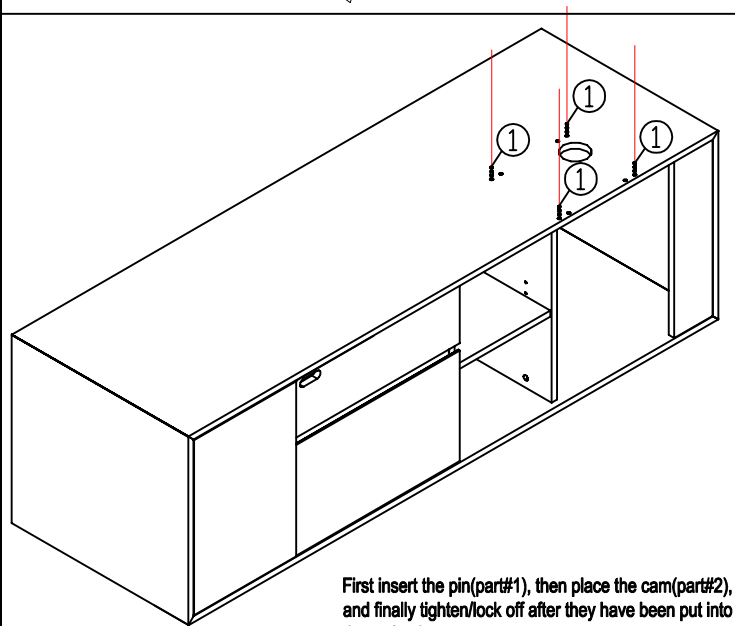
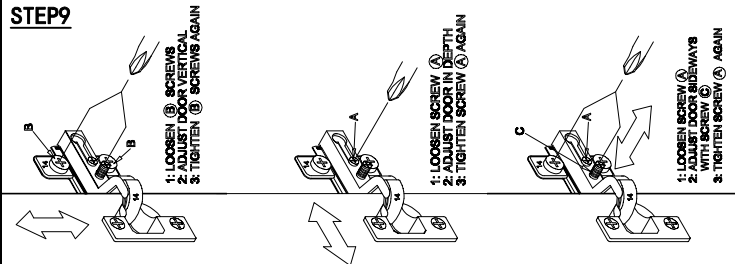
## STEP7



## STEP8



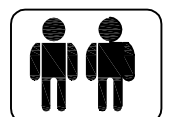
## STEP9



First insert the pin(part#1), then place the cam(part#2), and finally tighten/lock off after they have been put into the melamine.

### IMPORTANT NOTE:

- Place all laminated parts on a clean and smooth surface such as a rug or carpet to avoid the parts from being scratched.
- Check to be sure that you have all parts and hardware.
- Remove all wrapping materials, including staples & packing straps before you start to assemble.
- Don't tighten all screws/bolts until all completely assembled.
- Keep all hardware parts out of reach of children

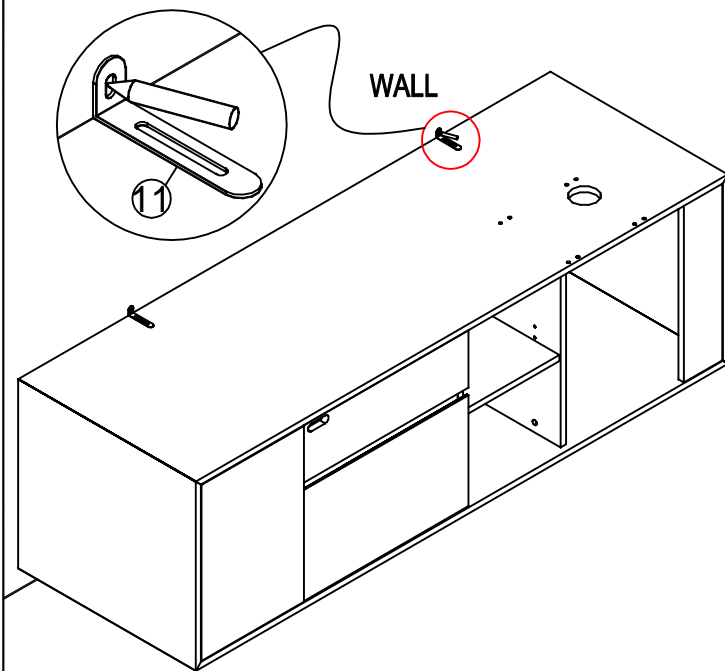


# Assembly Instructions

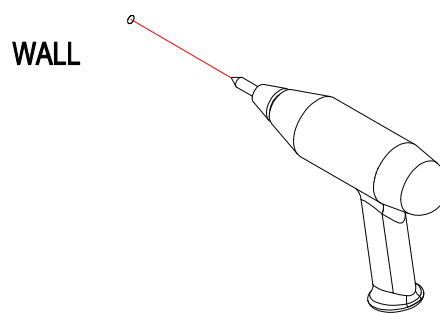
## MODEL NO:M2-SC186-LEF

The warning sticker provided within this hardware kit **MUST** be attached to the piece furniture in a place that is 100% visible when the item is empty.

### STEP10 WALL Make a mark with a pencil

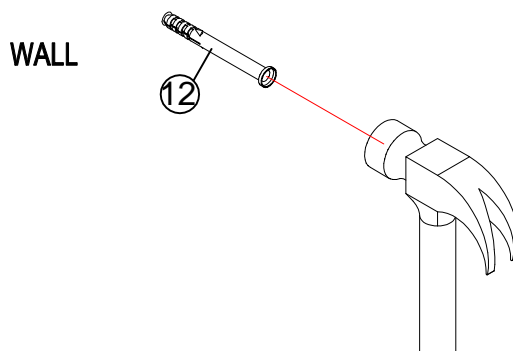


### STEP11

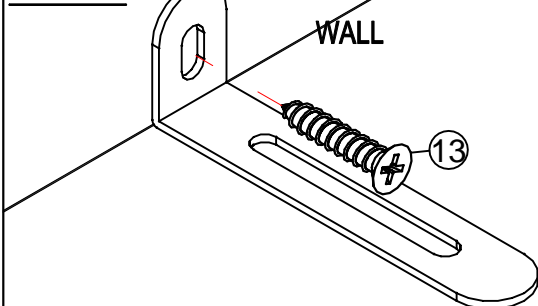


Drill holes at the marks with an electric drill

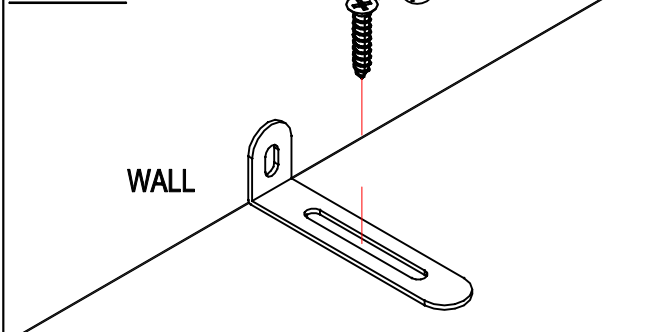
### STEP12



### STEP13



### STEP14



## ⚠ WARNING



**NEVER** put a TV on this Furniture



**This furniture type is at high risk of toppling over.**

**Children have died from furniture tipover.**

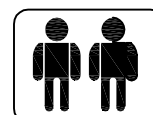
- ALWAYS secure it with an anchor device.
- NEVER allow children to stand, climb or hang on drawers, doors or shelves.
- NEVER open more than one drawer at a time
- PLACE heavy items down low.

Ask staff for more information or visit <http://www.productsafety.gov.au>

This is a permanent label. Do not remove!

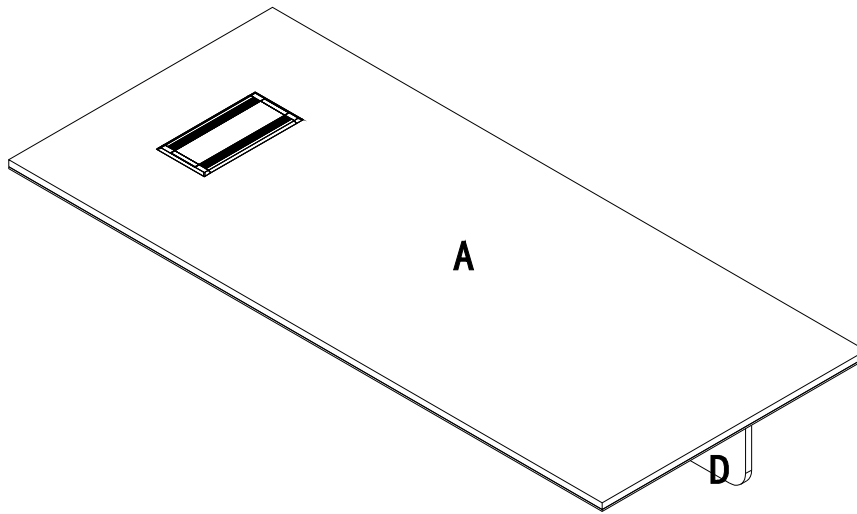
#### IMPORTANT NOTE:

- Place all laminated parts on a clean and smooth surface such as a rug or carpet to avoid the parts from being scratched.
- Check to be sure that you have all parts and hardware.
- Remove all wrapping materials, including staples & packing straps before you start to assemble.
- Don't tighten all screws/bolts until all completely assembled.
- Keep all hardware parts out of reach of children



# Assembly Instructions

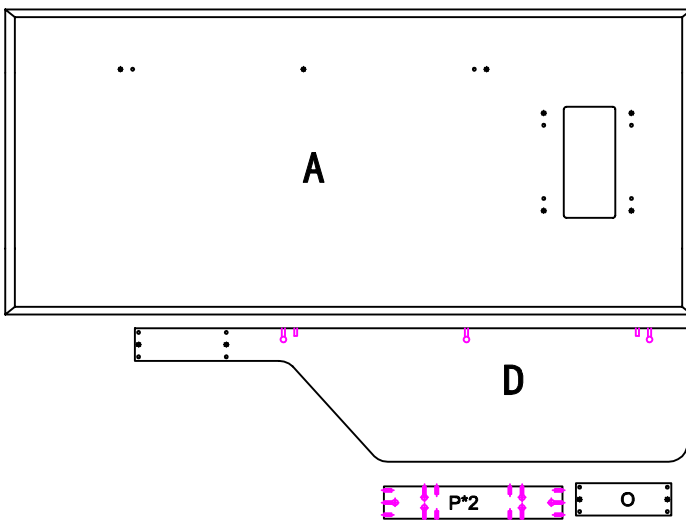
MODEL NO: M2-TM188-LEF



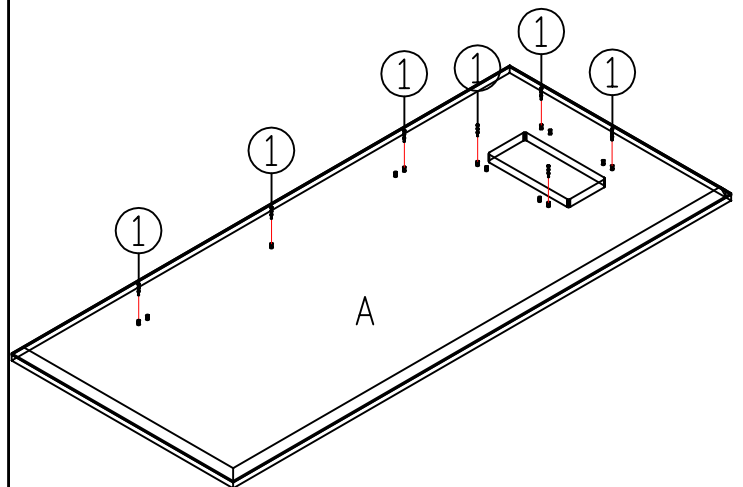
Pin 6x35	1
15PCS	
Cam	2
15PCS	
Cam Cover	3
15PCS	
Cable Cover 300x145 A23-1	4
1PCS	

the table top is to be used with M2-SC186-LEF Cupboard

## STEP1

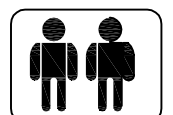


## STEP2



### IMPORTANT NOTE:

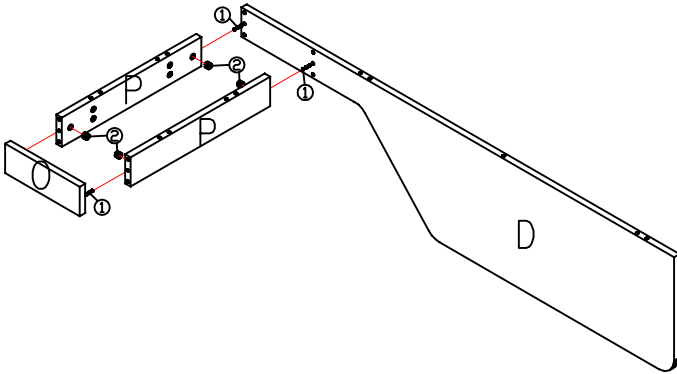
- Place all laminated parts on a clean and smooth surface such as a rug or carpet to avoid the parts from being scratched.
- Check to be sure that you have all parts and hardware.
- Remove all wrapping materials, including staples & packing straps before you start to assemble.
- Don't tighten all screws/bolts until all completely assembled.
- Keep all hardware parts out of reach of children



# Assembly Instructions

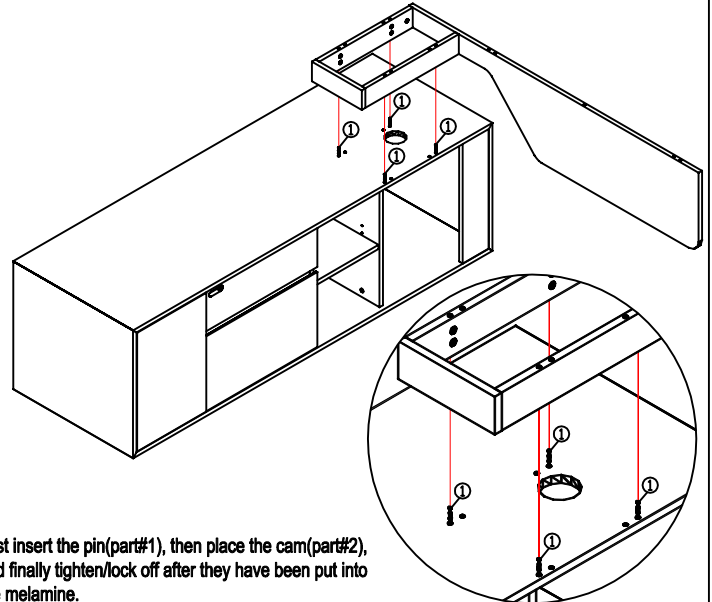
MODEL NO: M2-TM188-LEF

## STEP3



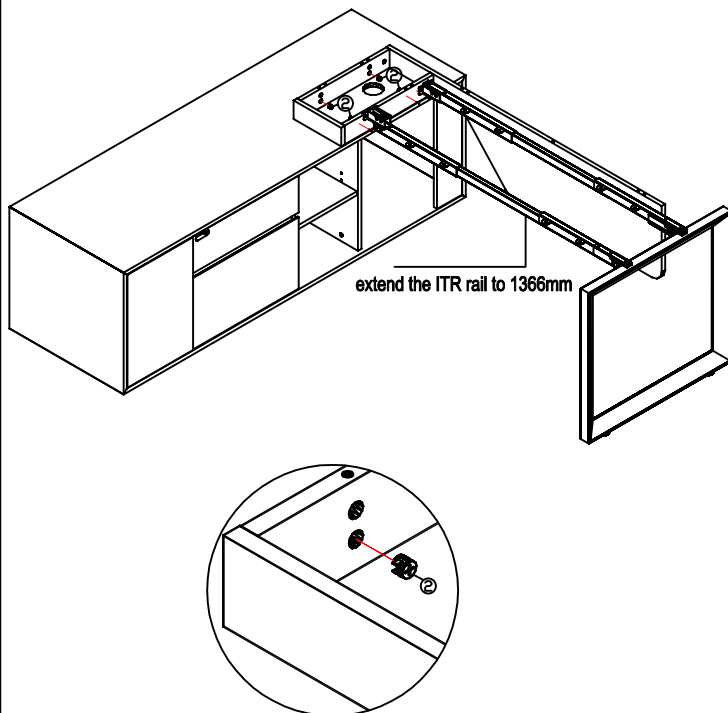
First insert the pin(part#1), then place the cam(part#2), and finally tighten/lock off after they have been put into the melamine.

## STEP4



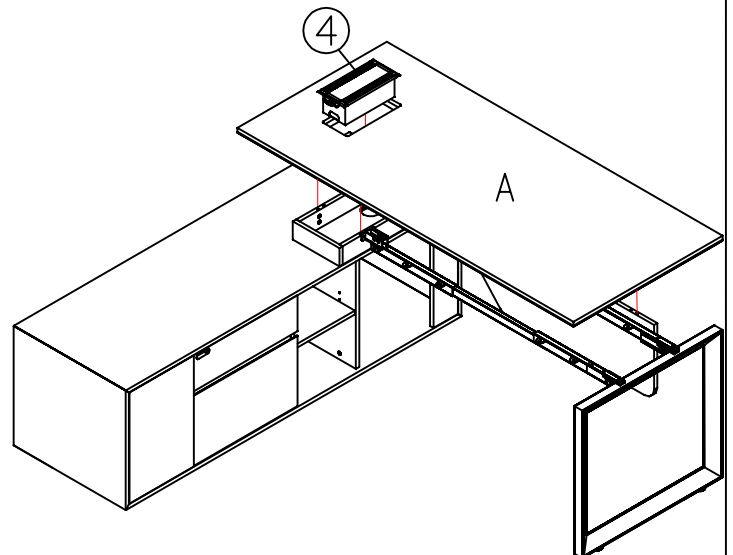
First insert the pin(part#1), then place the cam(part#2), and finally tighten/lock off after they have been put into the melamine.

## STEP5



First insert the pin(part#1), then place the cam(part#2), and finally tighten/lock off after they have been put into the melamine.

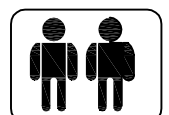
## STEP6



First insert the pin(part#1), then place the cam(part#2), and finally tighten/lock off after they have been put into the melamine.

### IMPORTANT NOTE:

- Place all laminated parts on a clean and smooth surface such as a rug or carpet to avoid the parts from being scratched.
- Check to be sure that you have all parts and hardware.
- Remove all wrapping materials, including staples & packing straps before you start to assemble.
- Don't tighten all screws/bolts until all completely assembled.
- Keep all hardware parts out of reach of children



# OPERATING INSTRUCTIONS

FOR  COMBI-PUBLIC



## ■ TO CHANGE THE SECRET CODE

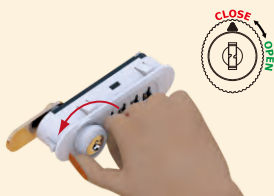


1. THE PRESET FACTORY CODE IS 0-0-0-0. TO CHANGE THE SECRET CODE, ROTATE THE KNOB TO OPEN POSITION.



2. THE NEW SECRET CODE CAN BE RESET, E.G. 1-1-1-1.

## ■ TO LOCK



1. TURN THE DIALS TO THE SET CODE, E.G. 1-1-1-1 AND ROTATE THE KNOB TO CLOSE POSITION.

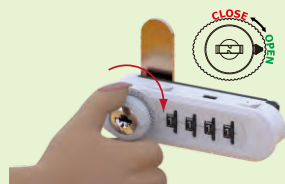


2. TURN THE DIALS TO ANY NUMBER, E.G. 2-2-2-2 FOR LOCKING.

## ■ TO UNLOCK



1. TURN THE DIALS TO THE PREVIOUSLY SET SECRET CODE, E.G. 1-1-1-1.



2. ROTATE THE KNOB TO OPEN POSITION.

## ■ TO RECOVER THE SECRET CODE WHEN THE LOCK IS IN CLOSE POSITION



1. INSERT THE KEY INTO THE KNOB AND TURN TO OPEN POSITION DIRECTION UNTIL STOP.



2. TURN EACH OF THE DIALS UNTIL IT CANNOT MOVE (ALL FOUR DIALS) TO RECOVER THE FORGOTTEN SECRET CODE.



3. TURN THE KEY TO CLOSE POSITION DIRECTION UNTIL STOP AND PULL THE KEY OUT. THE LOCK CAN NOW BE USED NORMALLY.

## HOW TO SWITCH BETWEEN FUNCTIONS

■ FROM  PRIVATE TO  PUBLIC



1. THE LOCK IS IN OPEN POSITION.



2. SLIDE THE FUNCTION SWAP BUTTON TO PUBLIC TO CHANGE THE FUNCTION TO COMBI-PUBLIC.

FOR STEP 2, REMOVE THE CAM SHOULD IT OBSTRUCT THE SWAP BUTTON.

■ FROM  PUBLIC TO  PRIVATE



1. THE LOCK IS IN OPEN POSITION. THE SECRET CODE CAN BE RESET RIGHT AWAY E.G. 1-1-1-1.



2. ROTATE THE KNOB TO CLOSE POSITION.



3. SLIDE THE FUNCTION SWAP BUTTON TO PRIVATE.



4. ROTATE THE KNOB TO OPEN POSITION TO CHANGE THE FUNCTION TO COMBI-PRIVATE.

FOR STEP 3 REMOVE THE CAM SHOULD IT OBSTRUCT THE FUNCTION SWAP BUTTON.