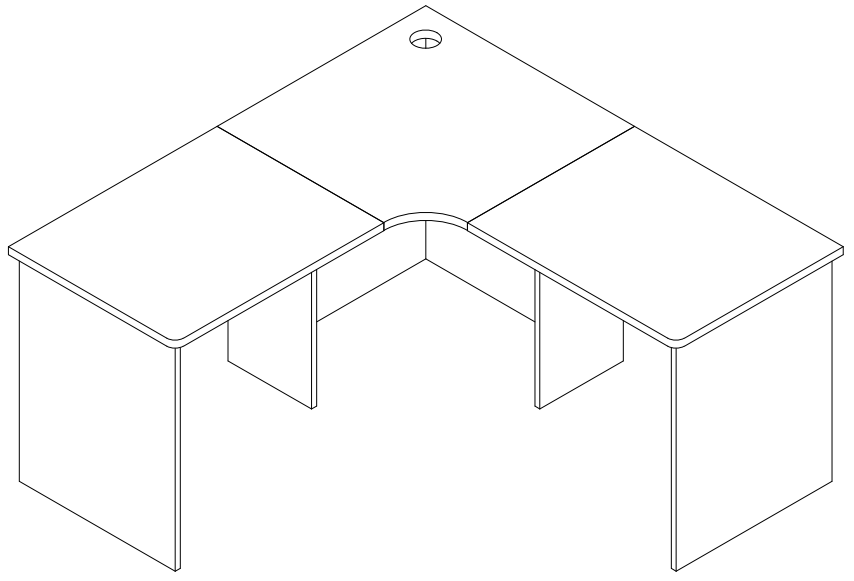
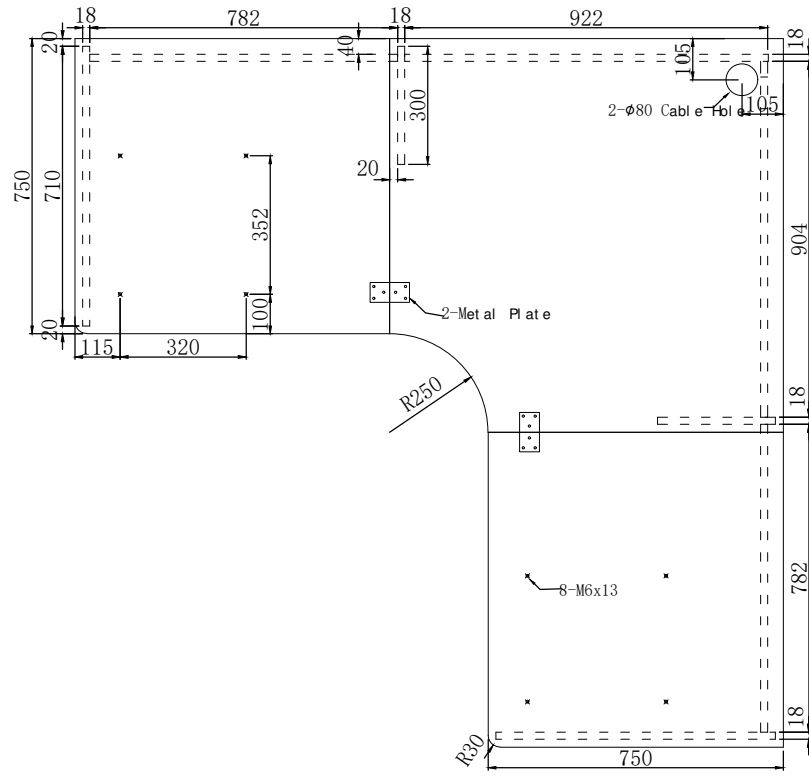
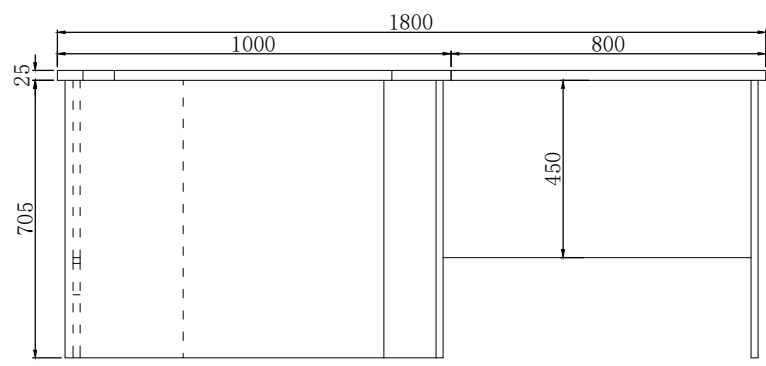
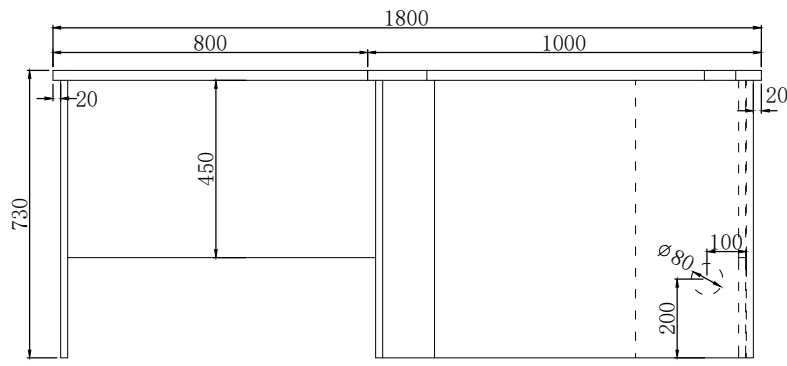


	DRAWING		VERSION N 0	1.0	PRODUCT NAME		
			DATE	2025-06-16	SIZE	1500*1500*730	
			PAGE				



DRAWING	VERSION NO	1.0	PRODUCT NAME	1800*1800*730
		2025-06-16		
APPROVE	PAGE			