

zippy

ZIPPY ASSEMBLY GUIDE

bdo furniture

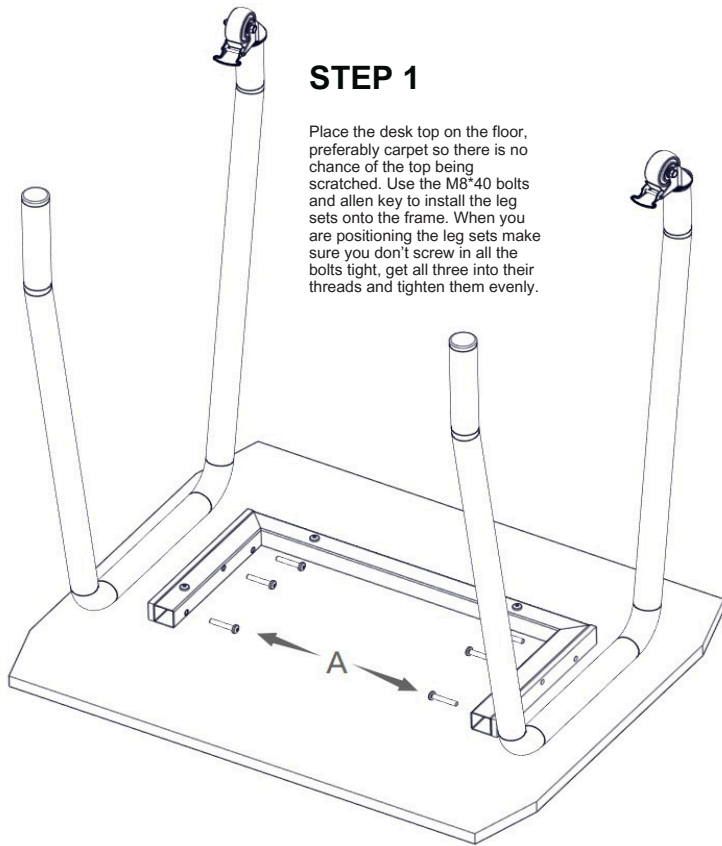
www.bdofurniture.com.au



Assembly Instructions

STEP 1

Place the desk top on the floor, preferably carpet so there is no chance of the top being scratched. Use the M8*40 bolts and allen key to install the leg sets onto the frame. When you are positioning the leg sets make sure you don't screw in all the bolts tight, get all three into their threads and tighten them evenly.



A: M8*40 BOLTS 6PCS



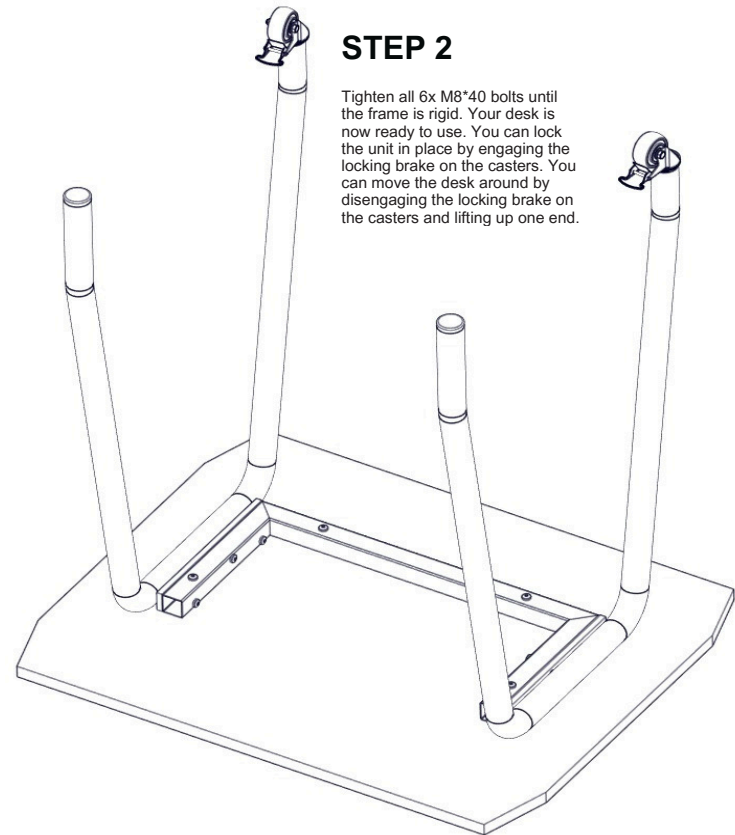
B: ALLEN KEY 1PCS



Assembly Instructions

STEP 2

Tighten all 6x M8*40 bolts until the frame is rigid. Your desk is now ready to use. You can lock the unit in place by engaging the locking brake on the casters. You can move the desk around by disengaging the locking brake on the casters and lifting up one end.



Scan me for Product Information



Enjoy your Zippy desk!

