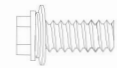
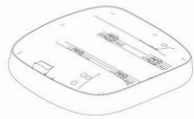


A 1PCS



5/16" * 3/4"

I 3PCS



B 1PCS

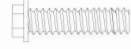


1/4" * 46mm

J 6PCS



C 1PCS



1/4" * 1"

K 4PCS



D 1SET



M5

L 1PCS



E 1PCS

*The below Add-On can be purchased separately

Head Rest:



F 1PCS



M 1PCS



G 5PCS



O 1PCS



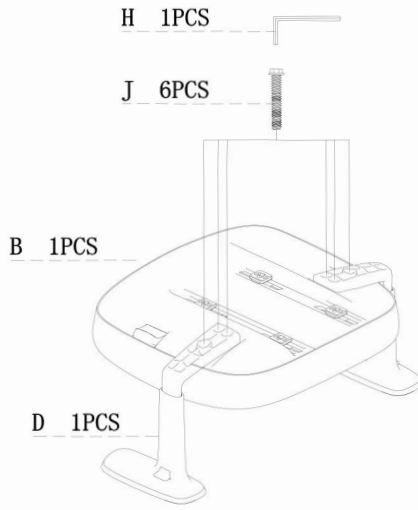
M4

H 1PCS

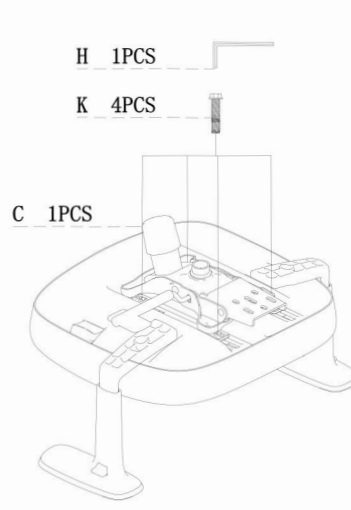


3/16" * 14mm

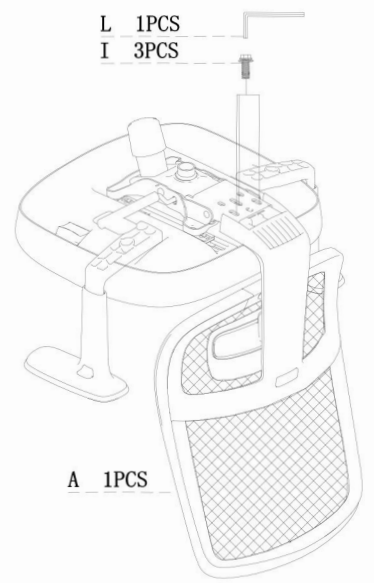
P 2PCS



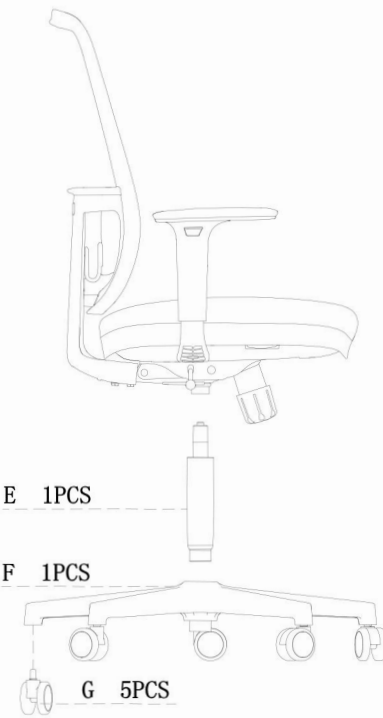
①



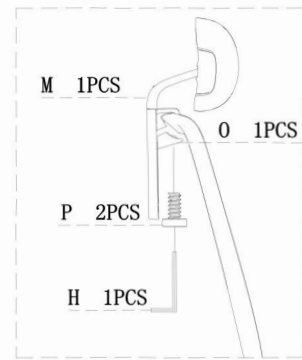
②



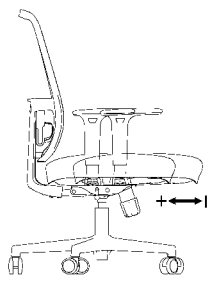
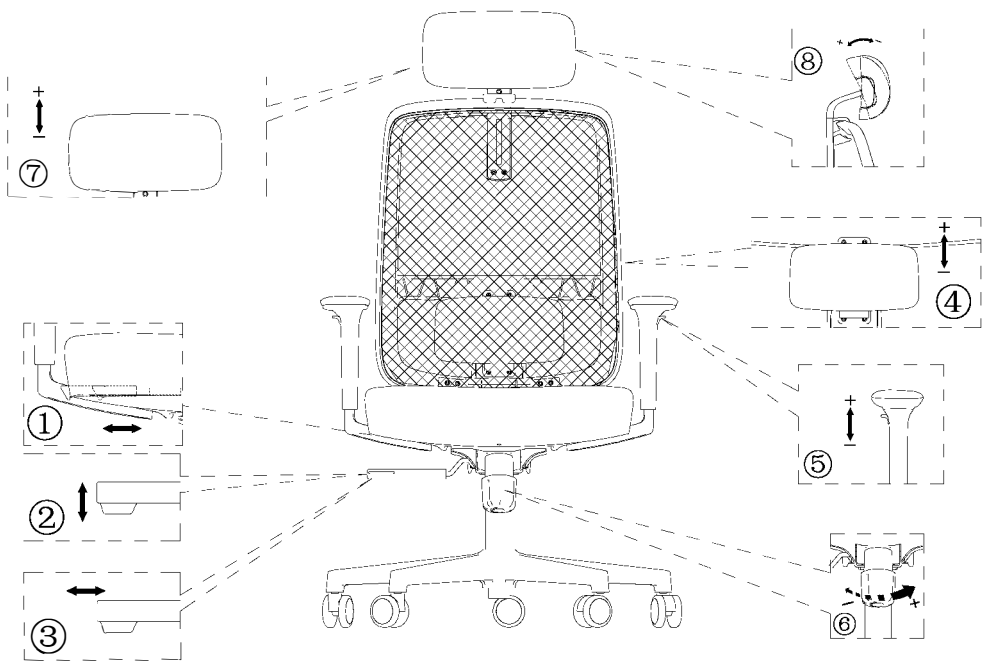
③



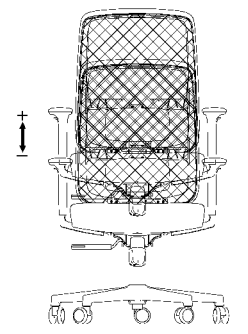
④



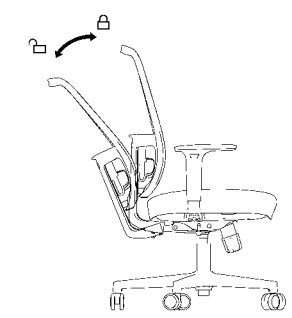
⑤ Head Rest Assembly



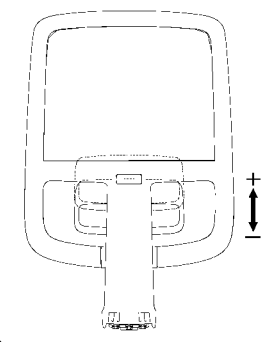
①



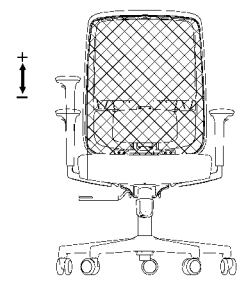
②



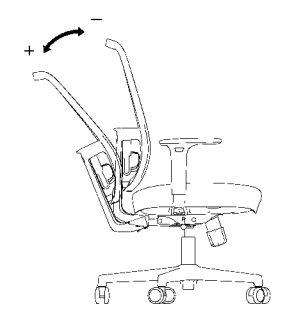
③



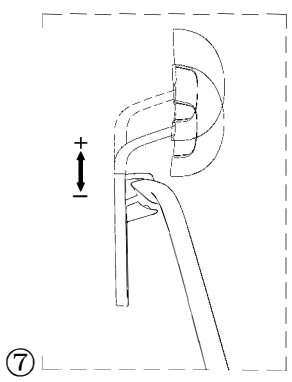
④



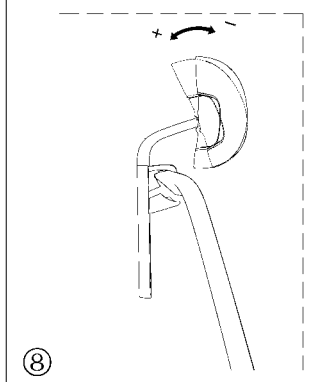
⑤



⑥



⑦



⑧

