

# ASSEMBLY INSTRUCTIONS:

Product Code : PIX-ARMS | PIX5STAR | PIXSLED | PIXSTOOL

Product Name: PIXEL Chair range

## TIME REQUIRED:

20 minutes

## TOOLS REQUIRED:

Screwdriver, Electric Drill, Pencil, Measuring tape/Ruler

\*Tools are not included.

## SKILL REQUIRED:

Easy ● ○ ○ ○ ○ Hard

The Assembly Skill Rating is a 5-point system that shows the degree of effort needed in assembling a specific product. With 1 being easy for the average person and 5 requiring an expert.

For most products, two persons are recommended.

Please note, as this is a commercial product, some intermediate skills are required.

\*No pre-drill holes or markings are provided on tops.

### NOTE

- As this is a commercial product, some intermediate skills may be required.
  - No pre-drill holes or markings are provided on our table or desk tops.
  - Please check you have all hardware before assembling.
- If you are missing any hardware, please contact your Rapidline reseller. Please ensure you have the name of the item, required hardware part and quantity.
  - Please retain your receipt as proof of purchase to validate your warranty.
- Assemble on a clean, flat, smooth surface such as a rug or carpet to avoid parts from being scratched.
  - Remove all wrapping materials, including staples and packing straps before you start to assemble
    - Keep all hardware parts out of reach of children.

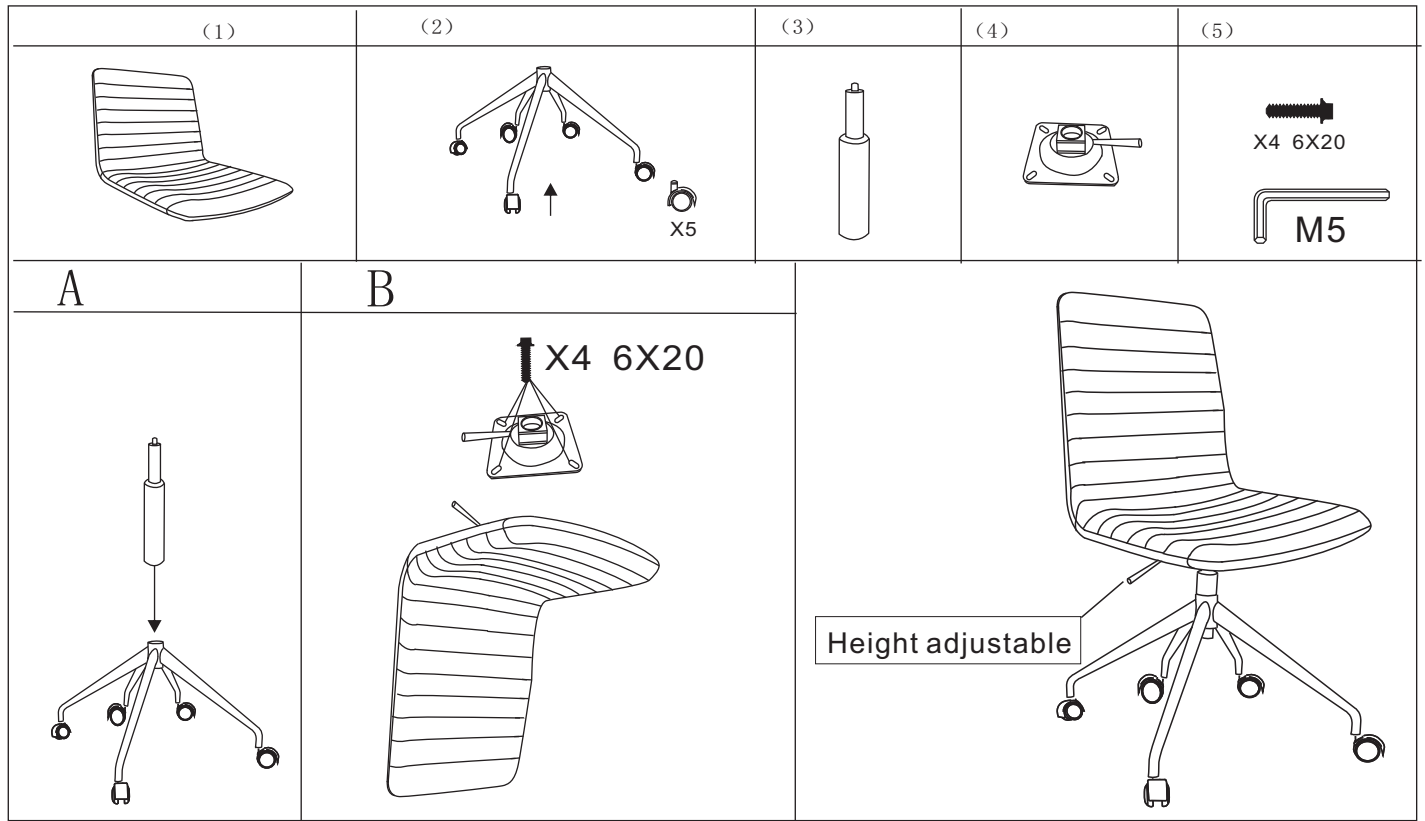
### CAUTION

- Heavy product. Do not attempt to lift or move without help
- Do not tighten screws and bolts until completely assembled.
- Do not use this product unless all bolts and screws are firmly secured and tightened.

### WARNING

- If parts are missing, broken, damaged or worn stop using the product until all repairs are made.
  - Failure to follow these warnings could result in serious injury.

# PIX5STAR



## User Information

\*Height adjustable: Lift lever

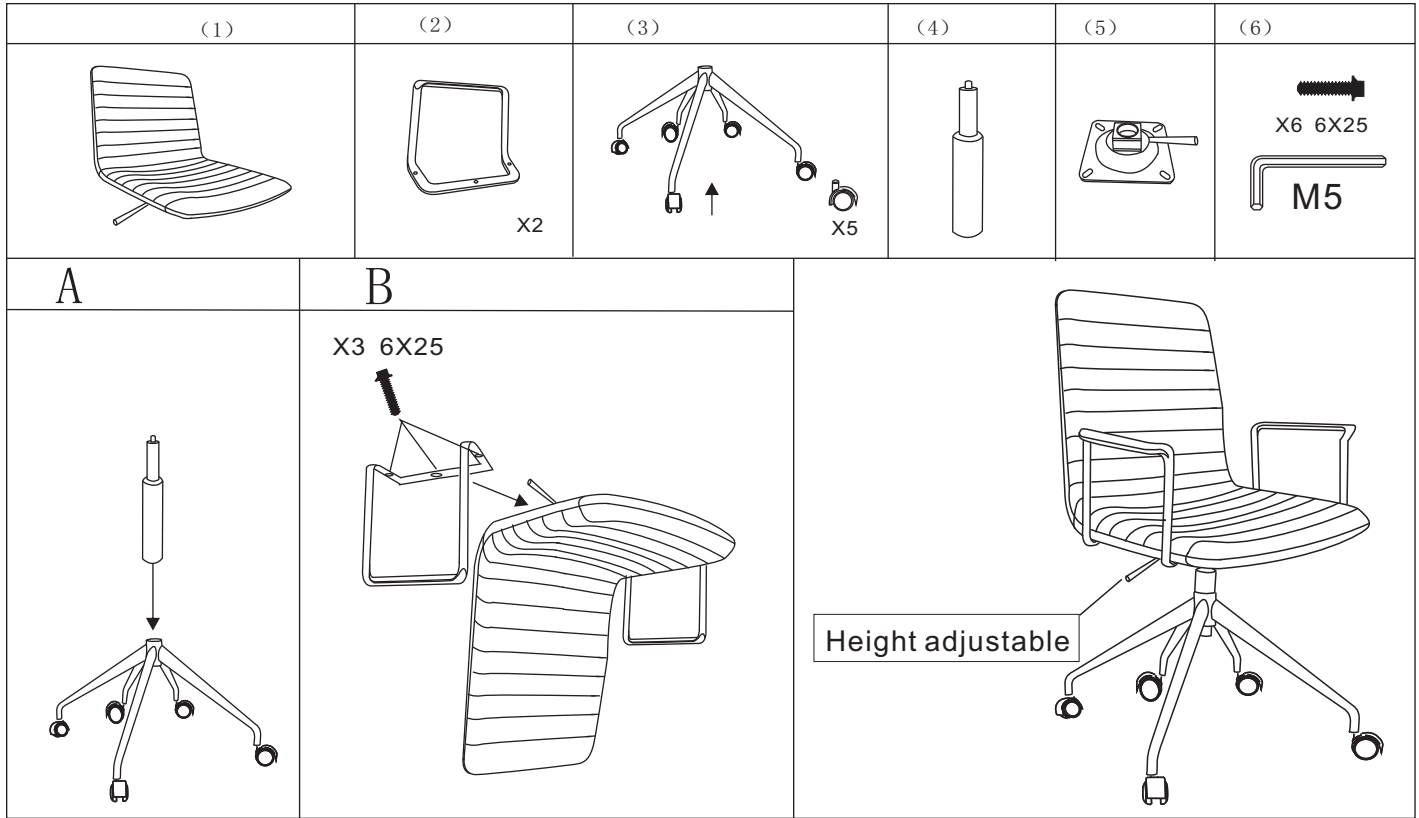
## CHAIR CARE

- \*Clean regularly.
- \*Use leather cleaner where leather is applicable.
- \*Use wet towel where is applicable.
- \*Test on concealed area before proceeding

## WARNING

- \*Do not use this chair unless all bolts/knob are tightened and this chair is assembled firmly and properly.
- \*This chair is for one person to sit on. Do not stand on the chair.
- \*Do not touch mechanism except lever handle/knob when people is sitting in.
- \*Only trained personel replace or repair cylinder.
- \*Failure to follow these warnings could result in serious injury.

# PIX-ARMS



## User Information

\*Height adjustable: Lift lever

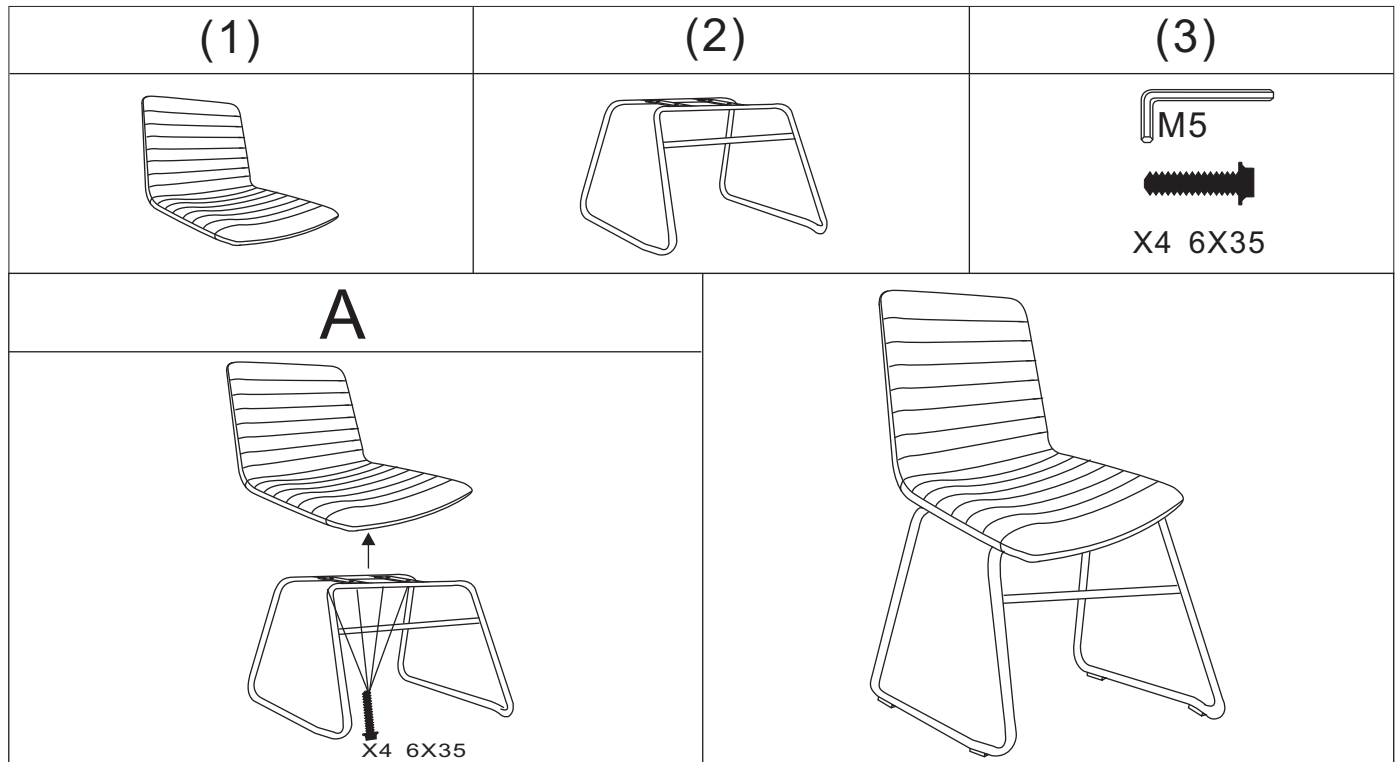
## CHAIR CARE

- \*Clean regularly.
- \*Use leather cleaner where leather is applicable.
- \*Use wet towel where is applicable.
- \*Test on concealed area before proceeding

## WARNING

- \*Do not use this chair unless all bolts/knob are tightened and this chair is assembled firmly and properly.
- \*This chair is for one person to sit on. Do not stand on the chair.
- \*Do not touch mechanism except lever handle/knob when people is sitting in.
- \*Only trained personel replace or repair cylinder.
- \*Failure to follow these warnings could result in serious injury.

# PIXSLED



## CHAIR CARE

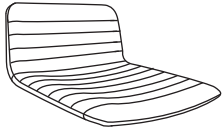
- \* Clean regularly.
- \* Use leather cleaner where leather is applicable.
- \* Use wet towel where is applicable.
- \* Test on concealed area before proceeding

## WARNING

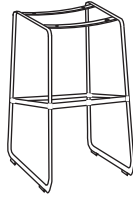
- \* Do not use this chair unless all bolts/knob are tightened and this chair is assembled firmly and properly.
- \* This chair is for one person to sit on. Do not stand on the chair.
- \* Failure to follow these warnings could result in serious injury.

# PIXSTOOL

(1)



(2)



(3)

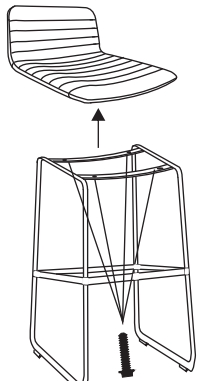


M5

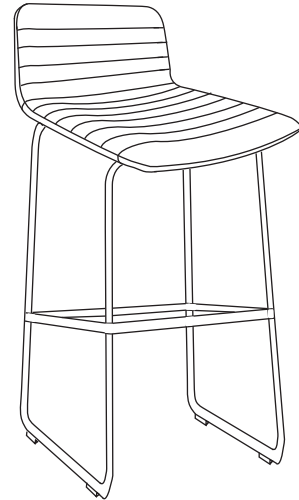


X4 6X25

A



X4 6X25



## CHAIR CARE

- \*Clean regularly.
- \*Use leather cleaner where leather is applicable.
- \*Use wet towel where is applicable.
- \*Test on concealed area before proceeding

## WARNING

- \*Do not use this chair unless all bolts/knob are tightened and this chair is assembled firmly and properly.
- \*This chair is for one person to sit on. Do not stand on the chair.
- \*Failure to follow these warnings could result in serious injury.