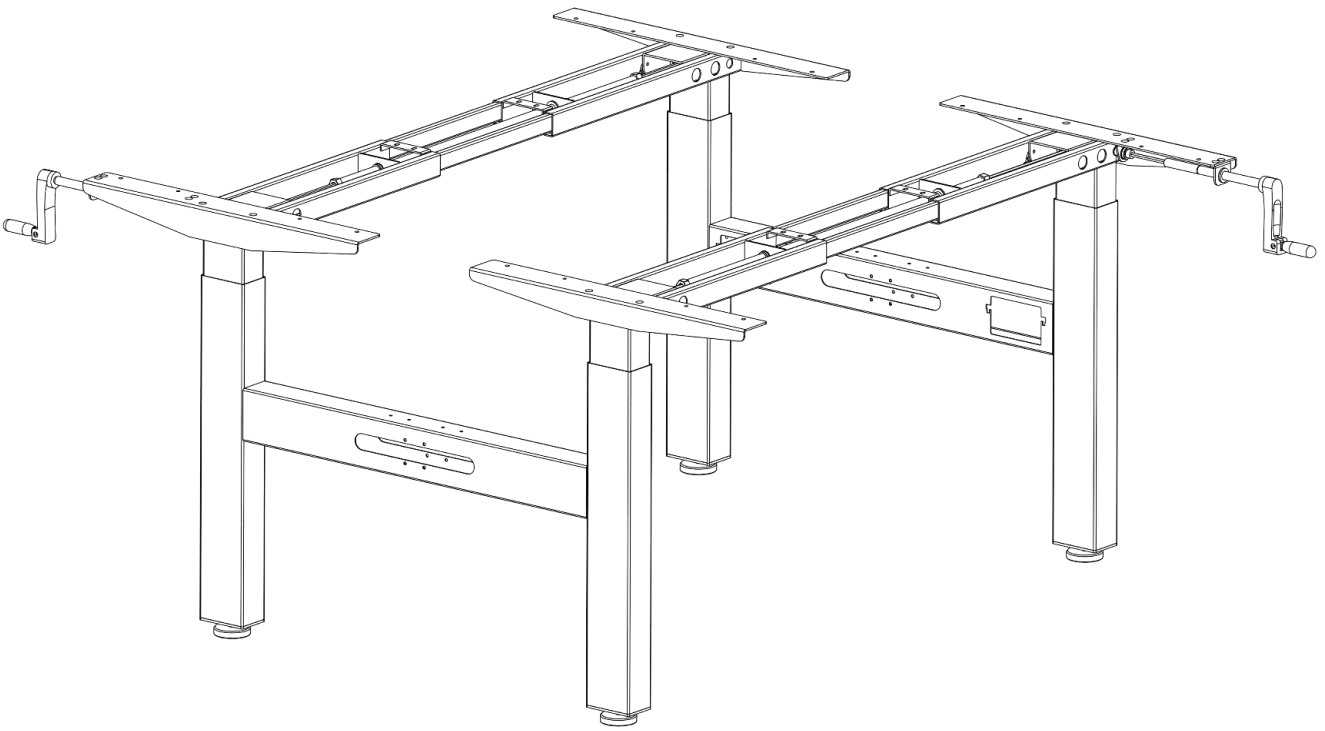


## Fast Back to back desk frame

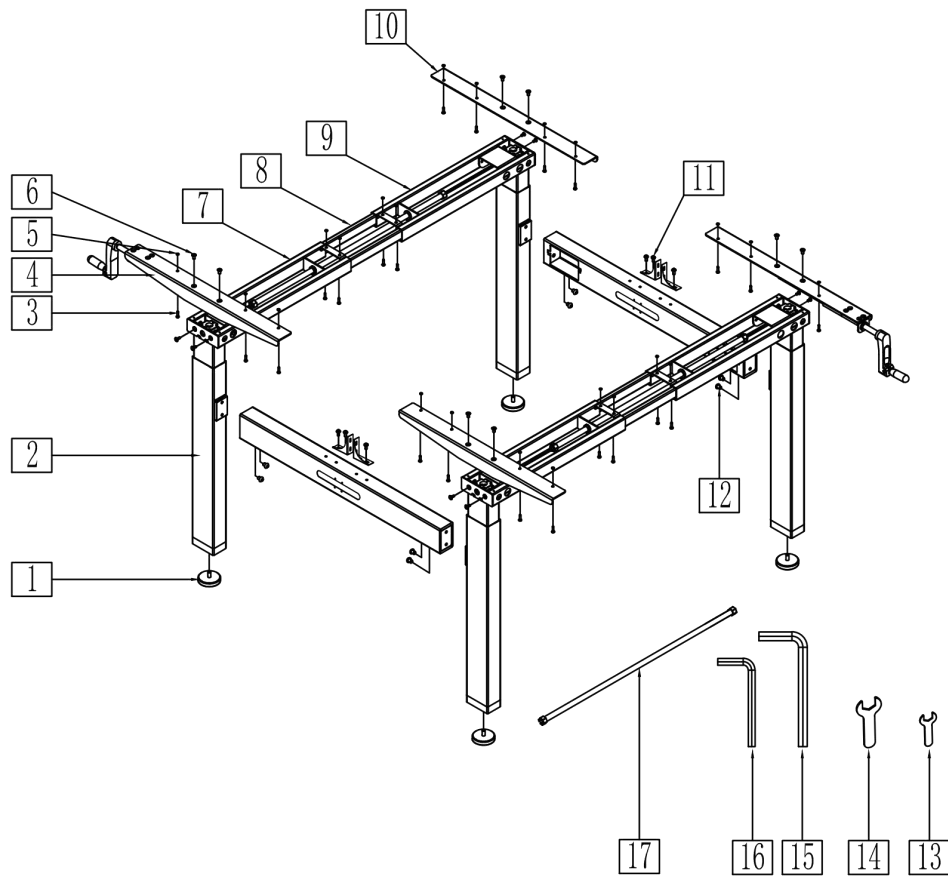
### Instruction Manual

#### Table of Contents

|                             |   |
|-----------------------------|---|
| Component parts .....       | 2 |
| Assembly Instructions ..... | 3 |



## Component parts

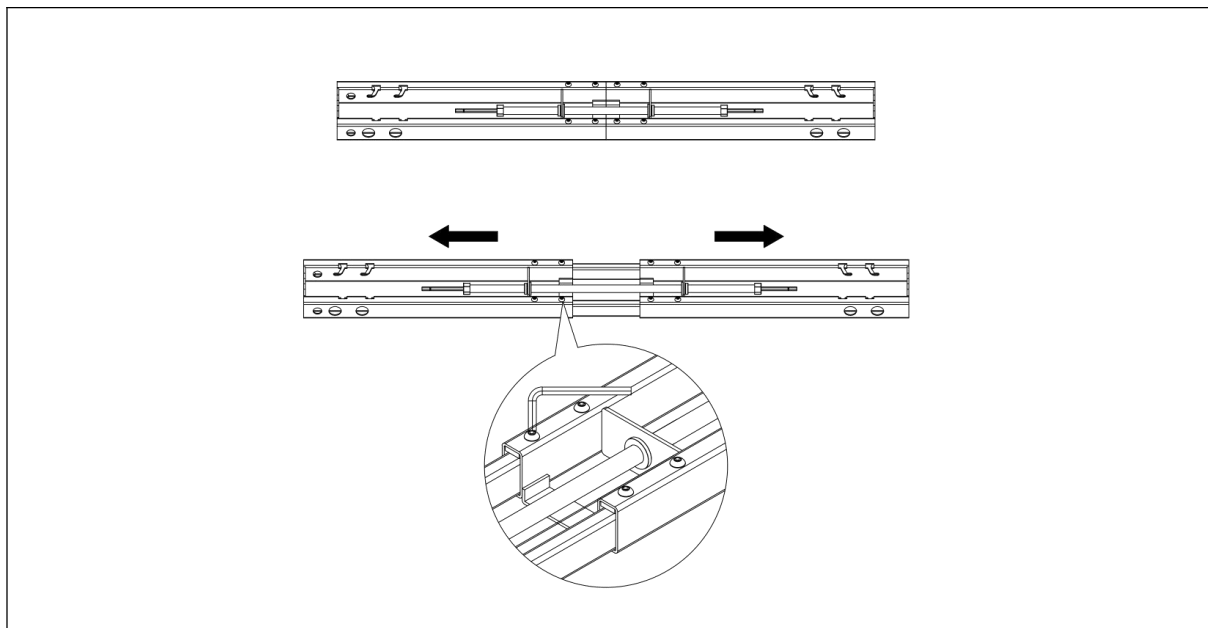


| NO. | Component Name | PCS | NO. | Component Name        | PCS |
|-----|----------------|-----|-----|-----------------------|-----|
| 1   | Leveling pad   | 4   | 10  | Side Bracket 2        | 2   |
| 2   | Lifting Column | 4   | 11  | Bolts M6x10           | 8   |
| 3   | ST4x16         | 22  | 12  | Bolts M8x10           | 8   |
| 4   | Side Bracket 1 | 2   | 13  | Open spanner (6mm)    | 1   |
| 5   | Rubber pad     | 22  | 14  | Open spanner (18mm)   | 1   |
| 6   | Bolts M6x12    | 8   | 15  | Allen Wrench(5mm)     | 1   |
| 7   | Top frame -1   | 2   | 16  | Allen Wrench(4mm)     | 1   |
| 8   | Centre rails   | 4   | 17  | Longer aluminium pipe | 1   |
| 9   | Top frame-2    | 2   |     |                       |     |

## Assembly Instructions

### Step 1

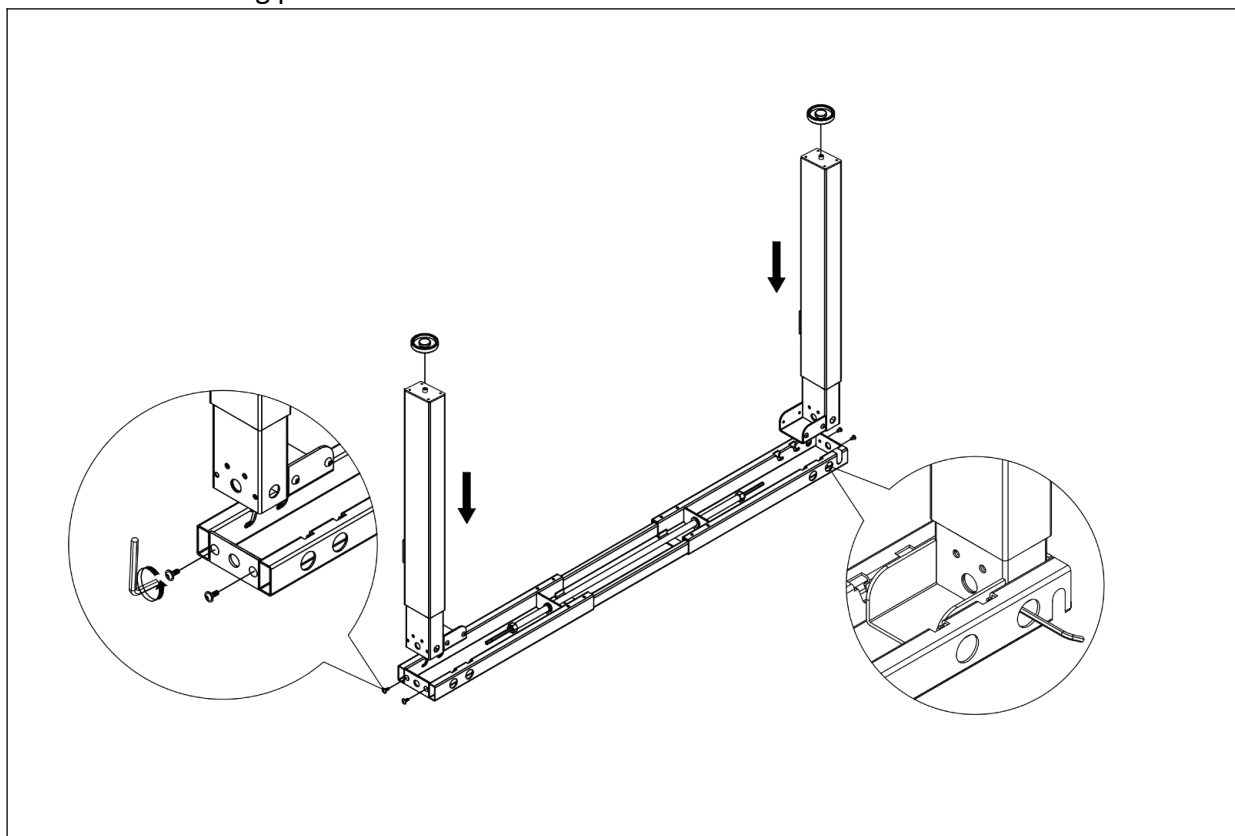
Loosen the pre-installed bolts and Adjust the length of the top frame to match the size of the table top.  
**If the tabletop size 1200W, please use the Shorter aluminium pipe.**



### Step 2

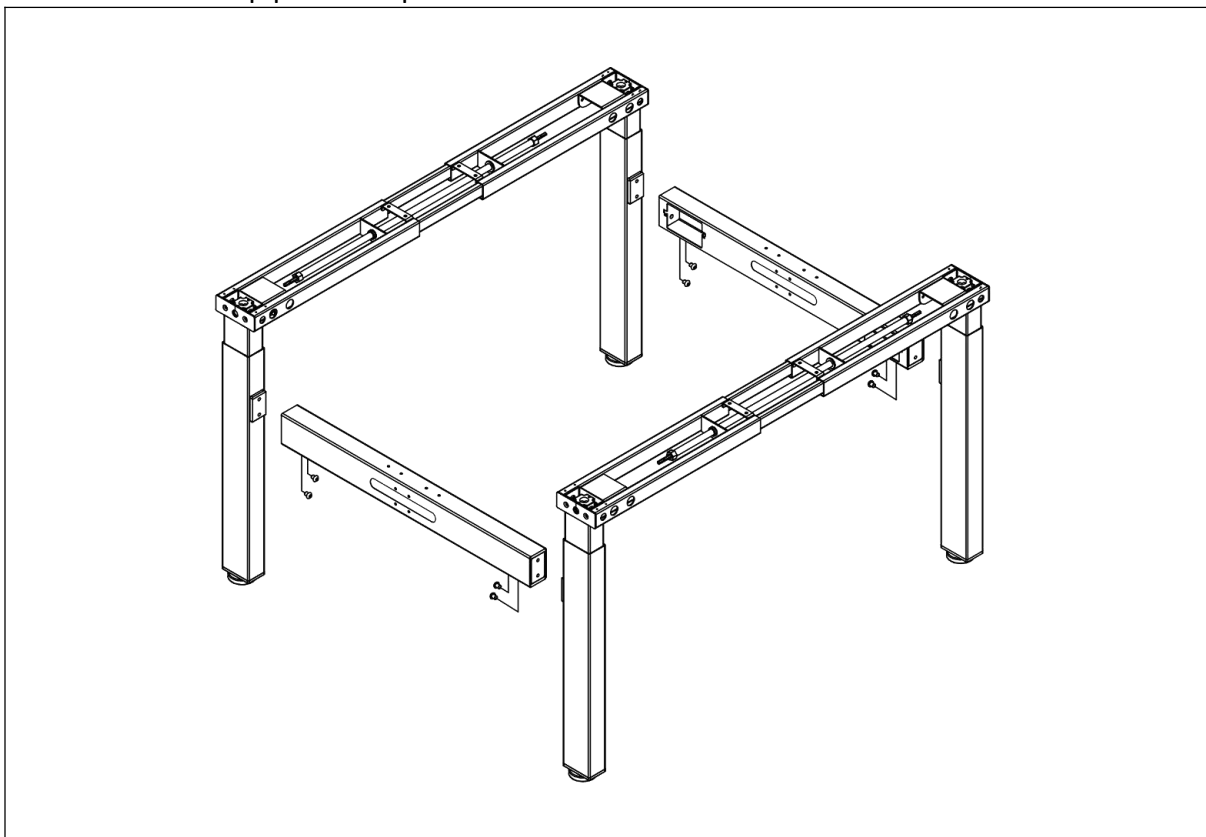
Inset the lifting column to the top frame.

- First fix 4 pcs screws M6x10
- And then tighten the pre-installed bolts
- Installed the leveling pad.



**Step 3**

Install the connected pipe with 8 pcs screws M8x10

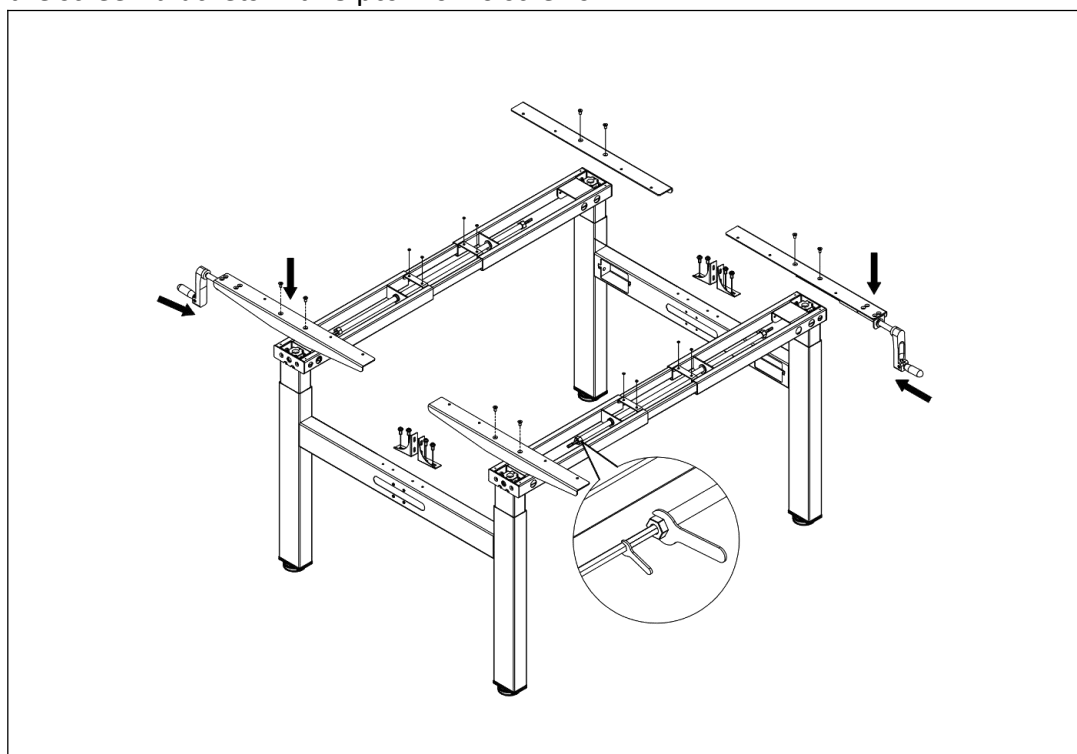


**Step 4**

Install the side brackets with Screws 8 pcs M6x12 screws

Insert the Hex steel rod to both lifting column and tighten it.

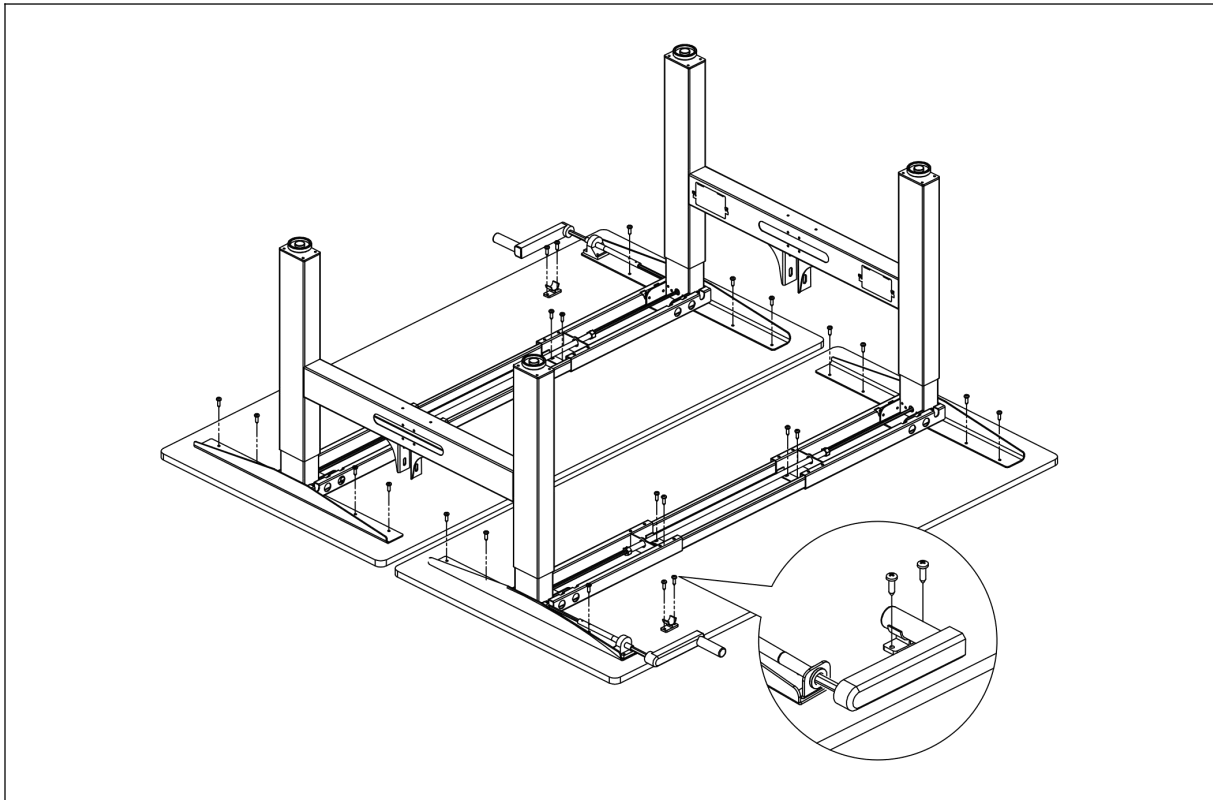
Install the screen brackets with 8 pcs M6x10 screws



## Step 5

Fix the desk frame to the tabletop with 22 PCS ST4X16 screws

Fix the manual crank holder with 4 PCS ST4X16 screws

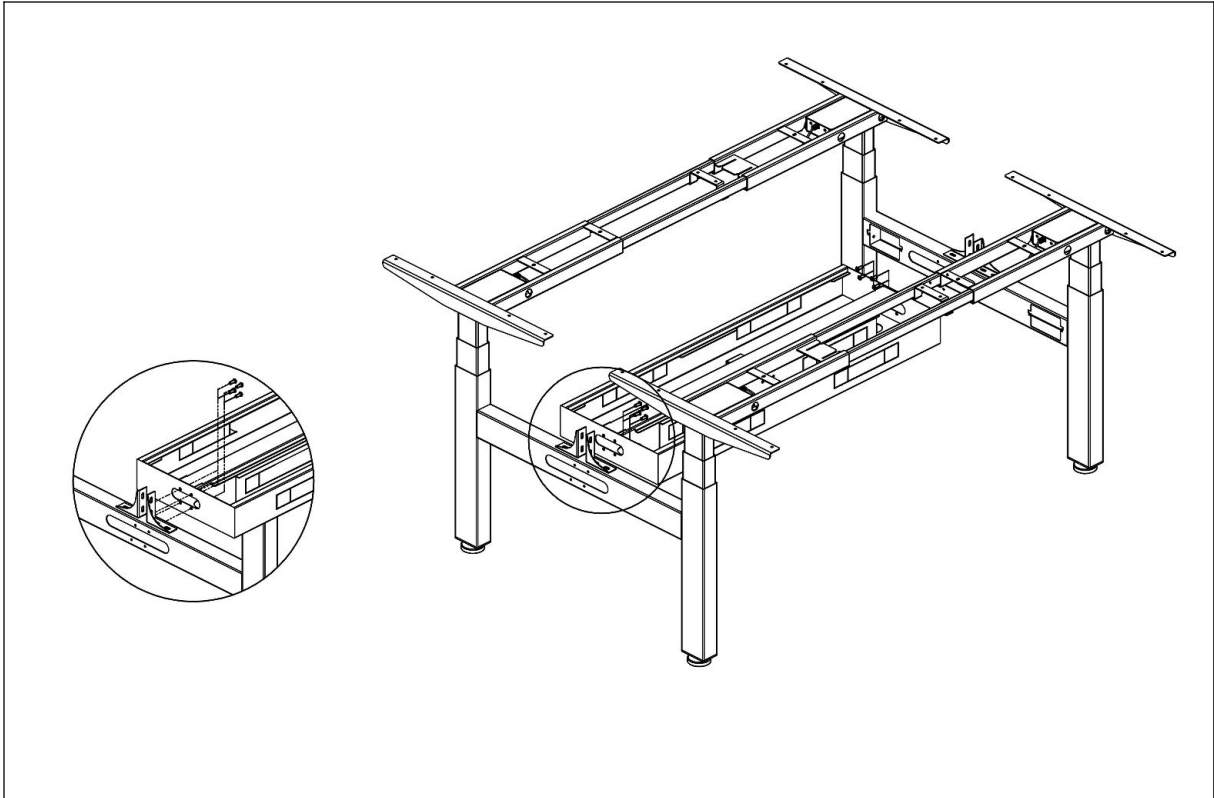


## B. Technical Specifications

|                                    |                 |
|------------------------------------|-----------------|
| Load Capacity:                     | 80Kg(Dynamic)   |
| Speed:                             | 10mm/ per cycle |
| Adjust Height:                     | 450mm           |
| Min. Desktop Depth Size:           | 675mm           |
| Hand Crank Clockwise Rotation:     | Up              |
| Hand Crank anticlockwise Rotation: | Down            |

**Add On : Cable tray installation**

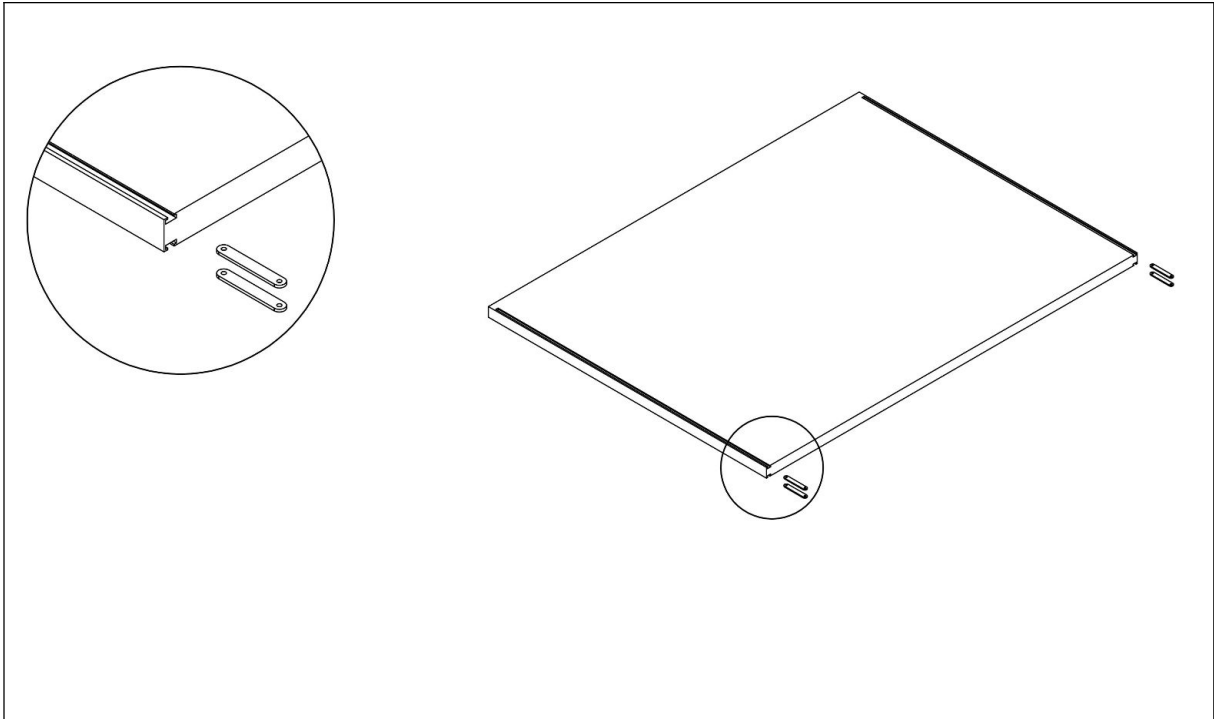
- Fix the cable tray with 8 pcs M6x10 screws to the desk frame.



## Add On : Screen panel installation

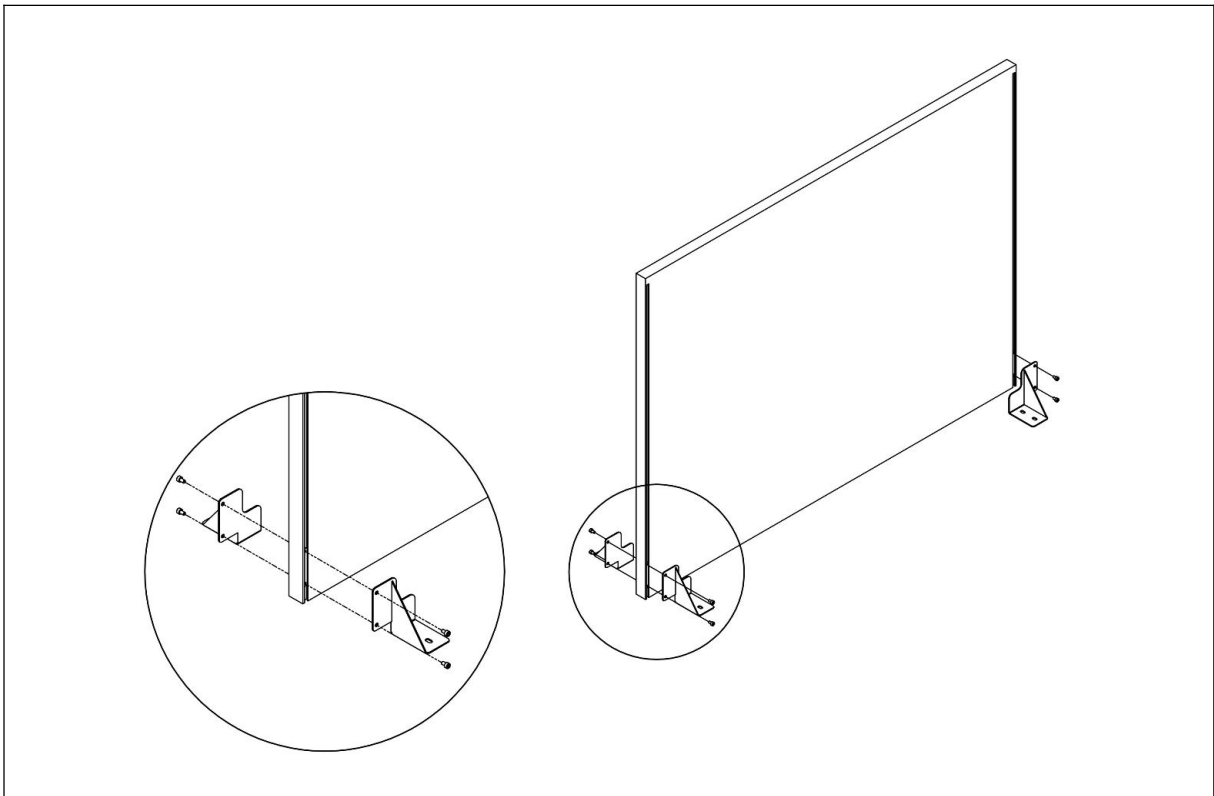
### Step 1

- Insert the tapped plates to the screen panel



### Step 2

- Install the brackets to the panel with 8 pcs M5x6 screws.



### Step 3

- Fix the panel to the desk frame with 8 pcs M6x10 screws.

