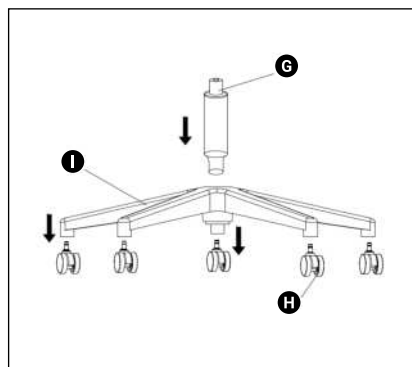
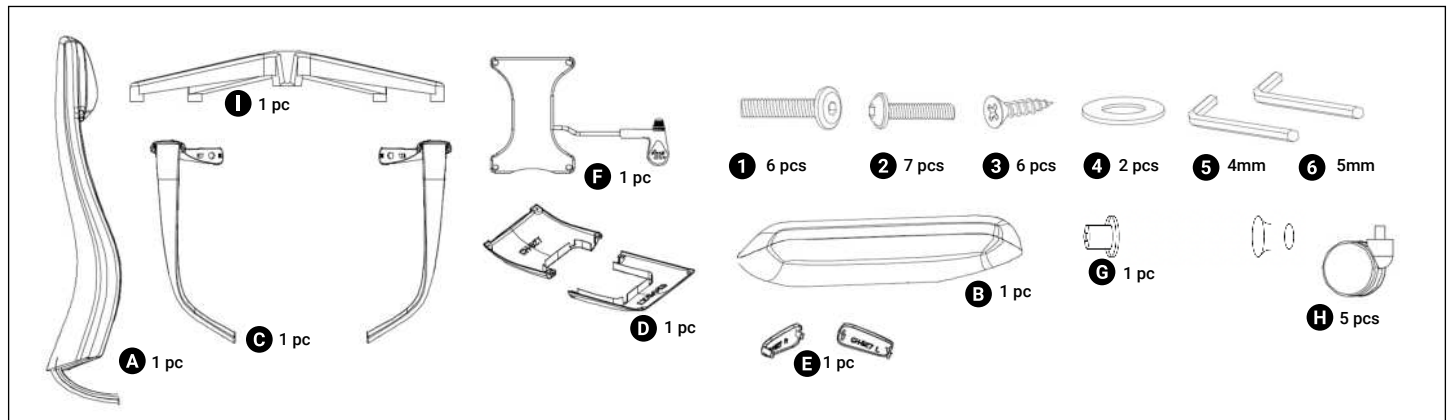
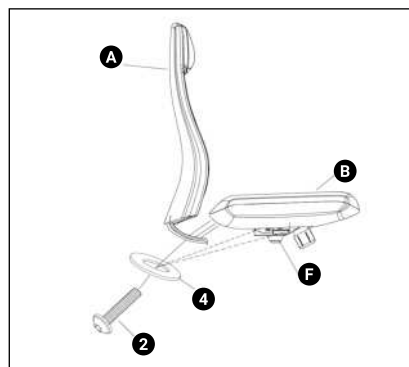


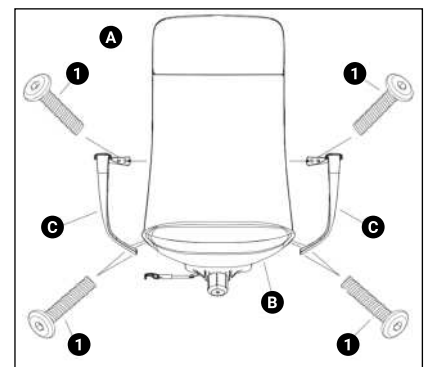
What's in the box



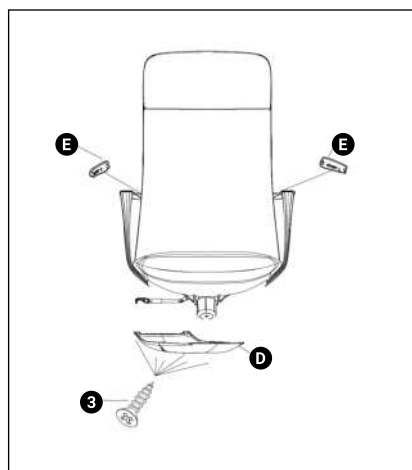
Step 1



Step 2



Step 3



Step 4



Step 5



Step 6

Step 1 - Insert 5 x castors, place gas lift into base

Step 2 - Fix mechanism to seat,
fix back bar to seat

Step 3 - Fix arms to seat and back on both
left and right side

Step 4 - Screw under seat cover on

Step 5 - Place chair onto base

Step 6 - Chair is complete and ready to use

***Director Mid Back and High Back**