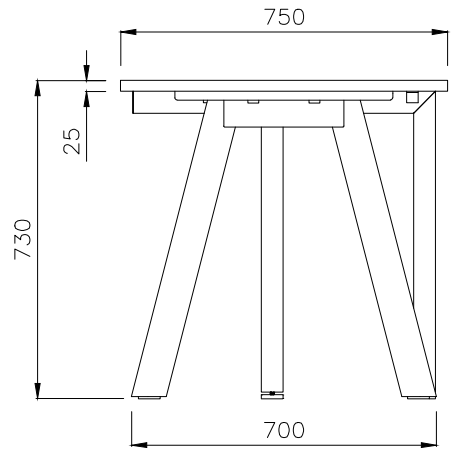
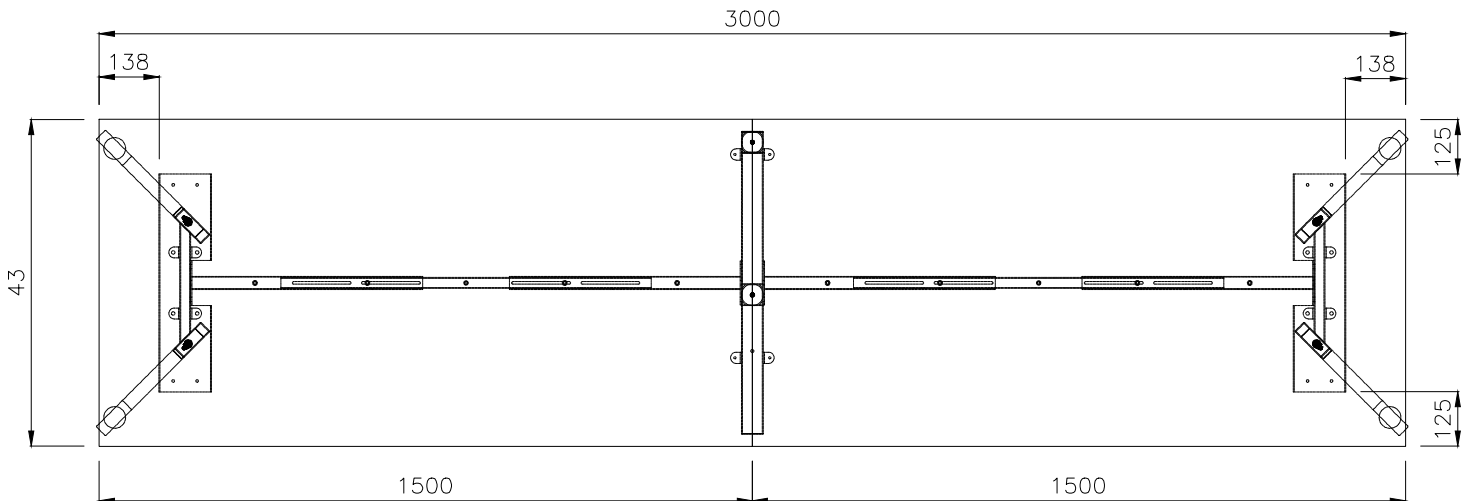


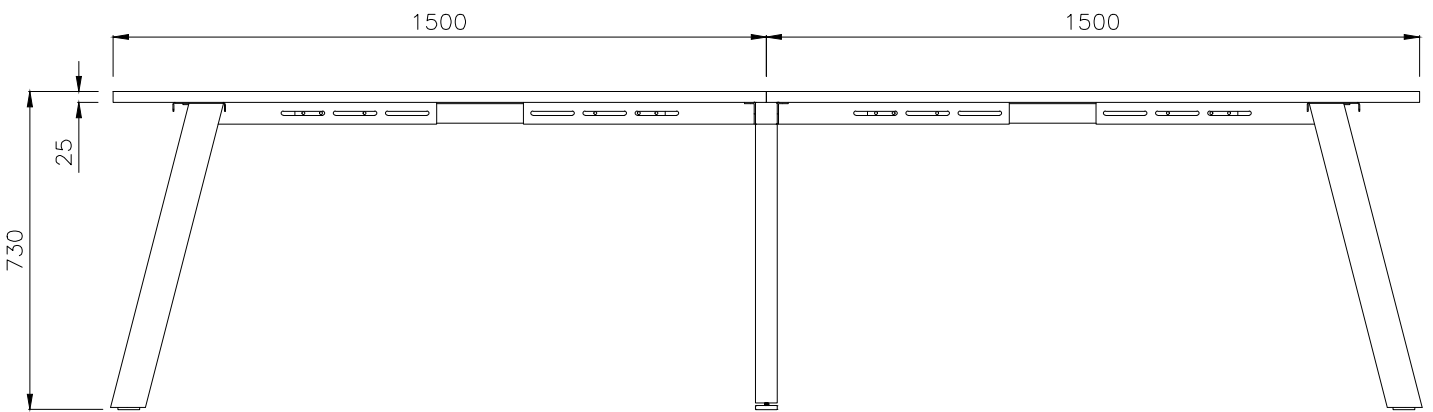
ISOMETRIC VIEW



SIDE VIEW



TOP VIEW



FRONT VIEW