














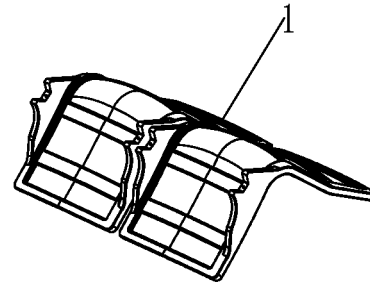


Installation Instruction(VECTOR BEAM 2 SEATER)

NO	Pic	Des	Size(MM)	Qty
1		seat&back	520*605*H570	2
2		Beam	60*70*1200	1
3		screws	M10*80	4
4		shim	25*11*1.0	4
5		Arm(left)	395*38*325	1
6		Arm(left)	567*40*241	1
7		Arm(right)	395*38*325	1
8		Leg(right)	567*40*241	1
9		adjusted Leg	∅60*50	4
10		screws	M8*80	4
11		Spring washer	20*9*2	4
12		shim	20*9*1.0	4
Tool		Accessory	6*6 mm	1
Tool		Accessory	8*8 mm	1
Tool		Accessory	12*120 mm	1

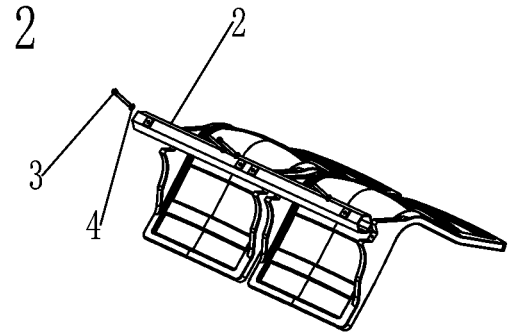
Note: Please twist all the screws into the screw hole and then tighten the screws after fix in all position. Don't tighten one side of the screws first and then tighten another side, which will be difficult install the chair

1



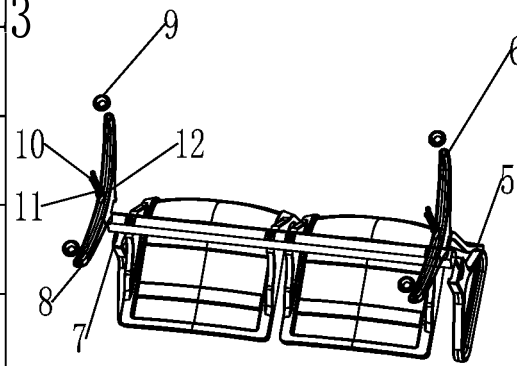
Base plate back plate reverse placement

2



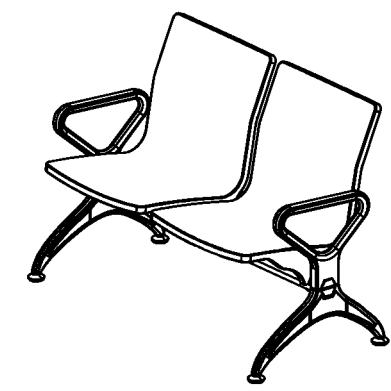
The crosspiece is installed on the back plate bracket of the seat, and the upper screw hole position is tightened and fixed.
Note: the iron plate on the cross arm is upward

3


















The handrail and foot are connected and fastened with screws through the through-holes at both ends of the crosspiece. Pay attention to the direction of the handrail and foot, And the handrail screw needs to be added with spring washer and gasket

4

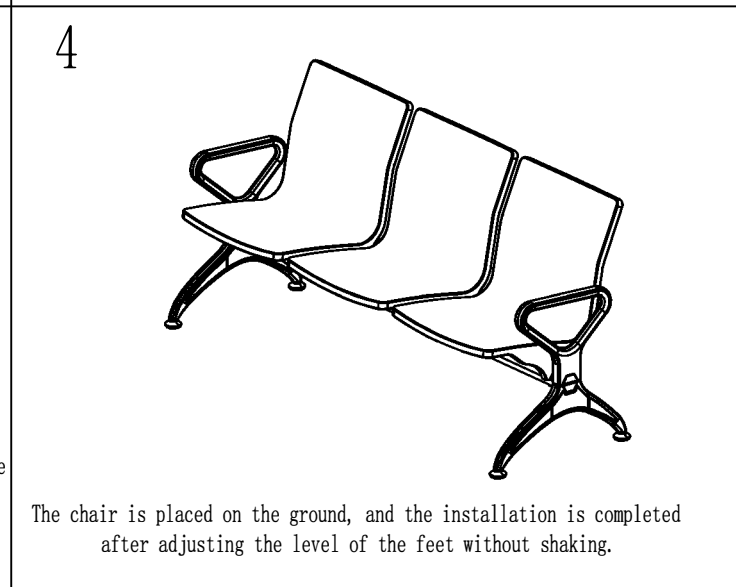
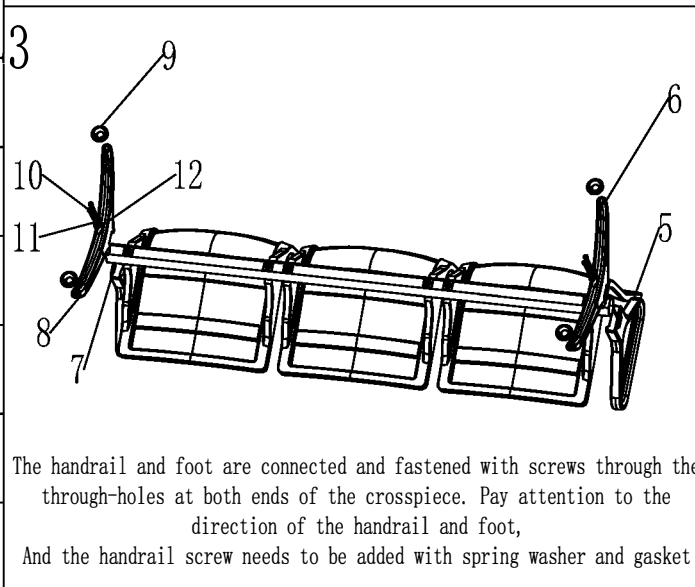
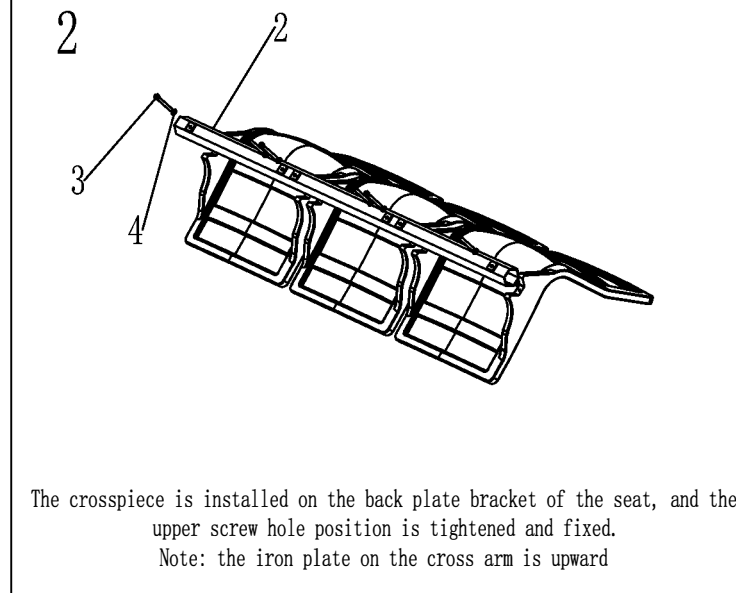
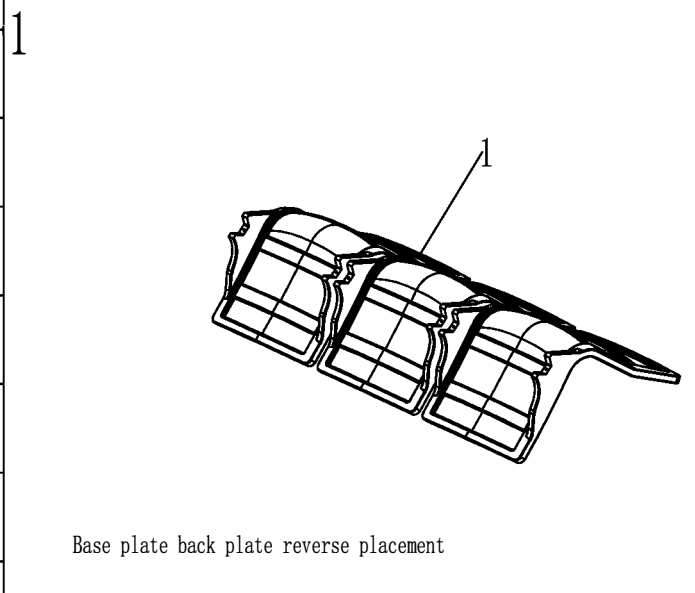


The chair is placed on the ground, and the installation is completed after adjusting the level of the feet without shaking.

Installation Instruction(VECTOR BEAM 3 SEATER)

NO	Pic	Des	Size(MM)	Qty
1		seat&back	520*605*H570	3
2		Beam	60*70*1760	1
3		screws	M10*80	6
4		shim	25*11*1.0	6
5		Arm(left)	395*38*325	1
6		Arm(left)	567*40*241	1
7		Arm(right)	395*38*325	1
8		Leg(right)	567*40*241	1
9		adjusted Leg	∅60*50	4
10		screws	M8*80	4
11		Spring washer	20*9*2	4
12		shim	20*9*1.0	4
Tool		Accessory	6*6 mm	1
Tool		Accessory	8*8 mm	1
Tool		Accessory	12*120 mm	1

Note: Please twist all the screws into the screw hole and then tighten the screws after fix in all position. Don't tighten one side of the screws first and then tighten another side, which will be difficult install the chair

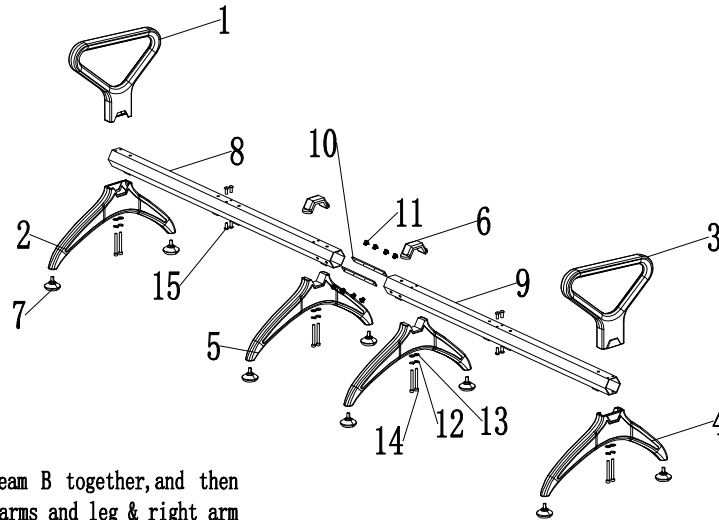


NO	Pic	Des	Size(MM)	Qty
1		Arm(left)	395*38*325	1
2		Leg(left)	567*40*241	1
3		Arm(right)	395*38*325	1
4		Leg(right)	567*40*241	1
5		Leg(middle)	567*40*241	2
6		Bracket	110*50*42	2
7		adjusted Leg	∅60*50	8
8		Beam A	60*70*1233	1
9		Beam B	60*70*1233	1
10		Connector	180*20*4	2
11		Screw	M8*16	8
12		Spring washer	20*9*2	8
13		shim	20*9*1.0	8
14		screws	M8*80	8
15		Black plug	∅12	8
16		seat&back	520*605*H570	4
17		Spring washer /shim	25*10*3.0/M10	8 each
18		screws	M10*80	8
Tool		Accessory	6*6 mm	1
Tool		Accessory	8*8 mm	1
Tool		Accessory	12*120 mm	1

Installation Instruction(VECTOR BEAM 4 SEATER)

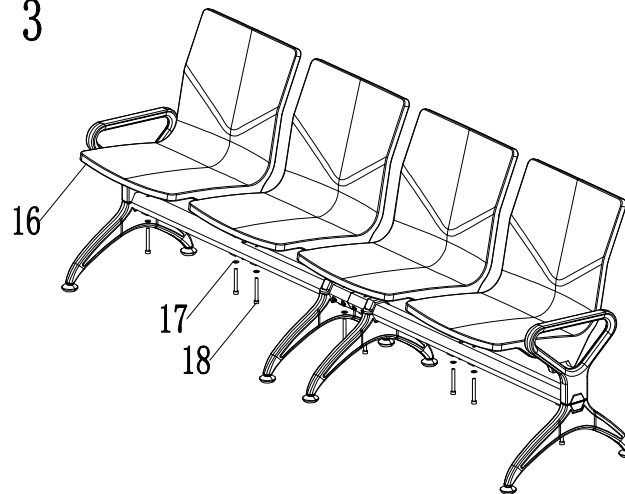
Note: Please twist all the screws into the screw hole and then tighten the screws after fix in all position. Don't tighten one side of the screws first and then tighten another side, which will be difficult install the chair

1

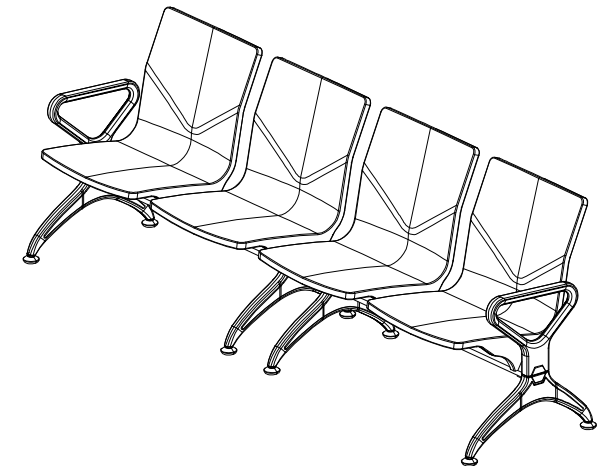


Remark:Use the connector to fix beam A &beam B together,and then assemble two middle legs.Last,assemble left arms and leg & right arm and leg

3



4



Remark:Assemble seat to the beam.The screw should be went through the beam

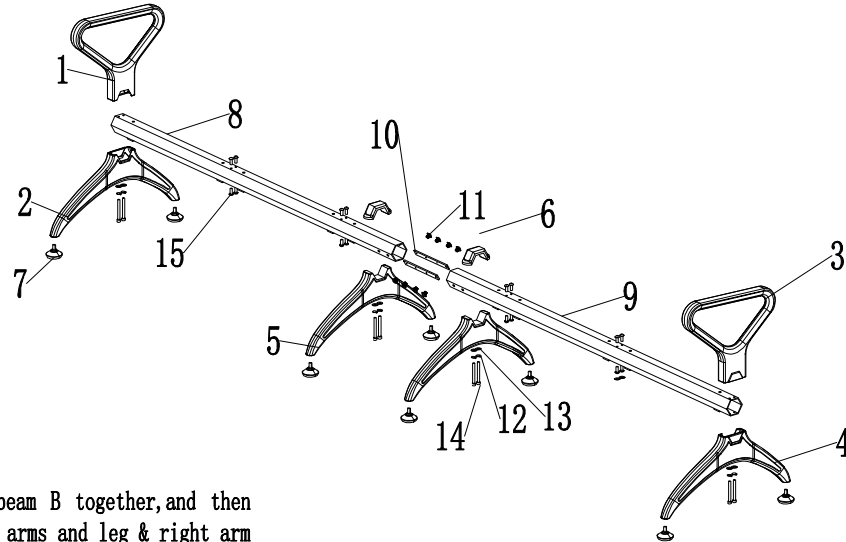
Remark:The chair is placed on the ground, and the installation is completed after adjusting the level of the feet without shaking.

Remark: pls use the black plugs to fill the hole once you dont need middle armrest

Installation Instruction(VECTOR BEAM 5 SEATER)

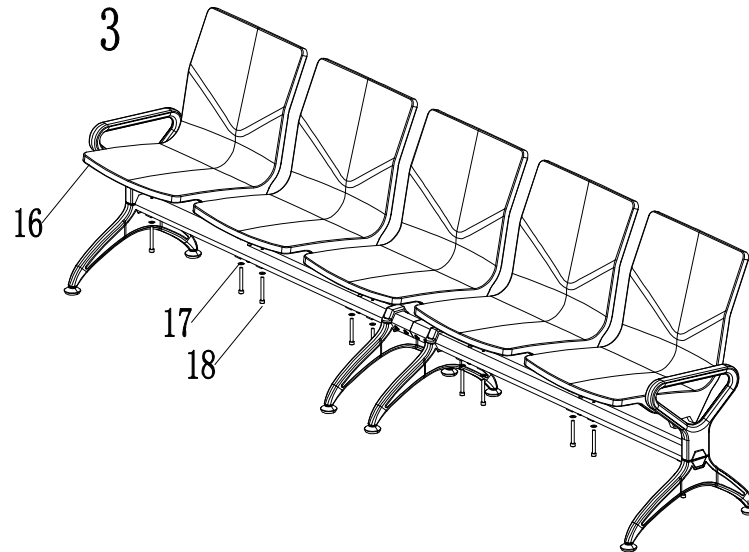
Note: Please twist all the screws into the screw hole and then tighten the screws after fix in all position. Don't tighten one side of the screws first and then tighten another side, which will be difficult install the chair

1

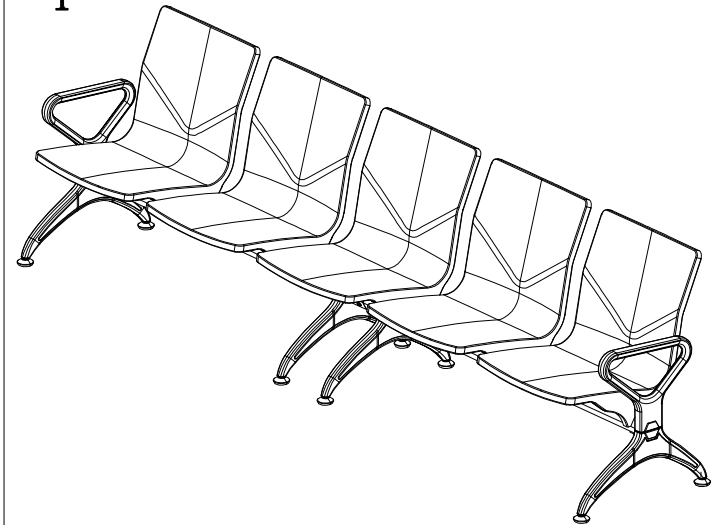


Remark:Use the connector to fix beam A &beam B together,and then assemble two middle legs.Last,assemble left arms and leg & right arm and leg

3



4



Remark:The chair is placed on the ground, and the installation is completed after adjusting the level of the feet without shaking.

Remark:Assemble seat to the beam.The screw should be went through the beam

Remark: pls use the black plugs to fill the hole once you dont need middle armrest

NO	Pic	Des	Size(MM)	Qty
1		Arm(left)	395*38*325	1
2		Leg(left)	567*40*241	1
3		Arm(right)	395*38*325	1
4		Leg(right)	567*40*241	1
5		Leg(middle)	567*40*241	2
6		Bracket	110*50*42	2
7		adjusted Leg	∅60*50	8
8		Beam A	60*70*1535	1
9		Beam B	60*70*1535	1
10		Connector	180*20*4	2
11		Screw	M8*16	8
12		Spring washer	20*9*2	8
13		shim	20*9*1.0	8
14		screws	M8*80	8
15		Black plug	∅12	16
16		seat&back	520*605*H570	5
17		Spring washer /shim	25*10*3.0/M10	10 each
18		screws	M10*80	10
Tool		Accessory	6*6 mm	1
Tool		Accessory	8*8 mm	1
Tool		Accessory	12*120 mm	1