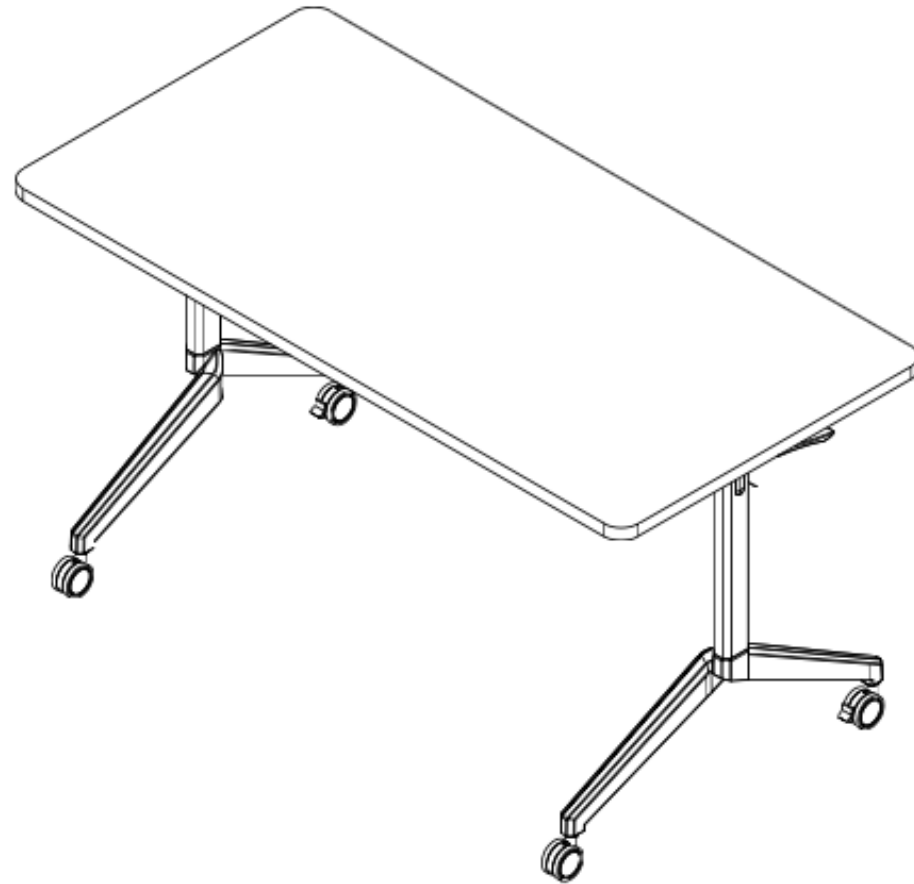







FLIP TOP TABLE INSTRUCTIONS










bdo furniture

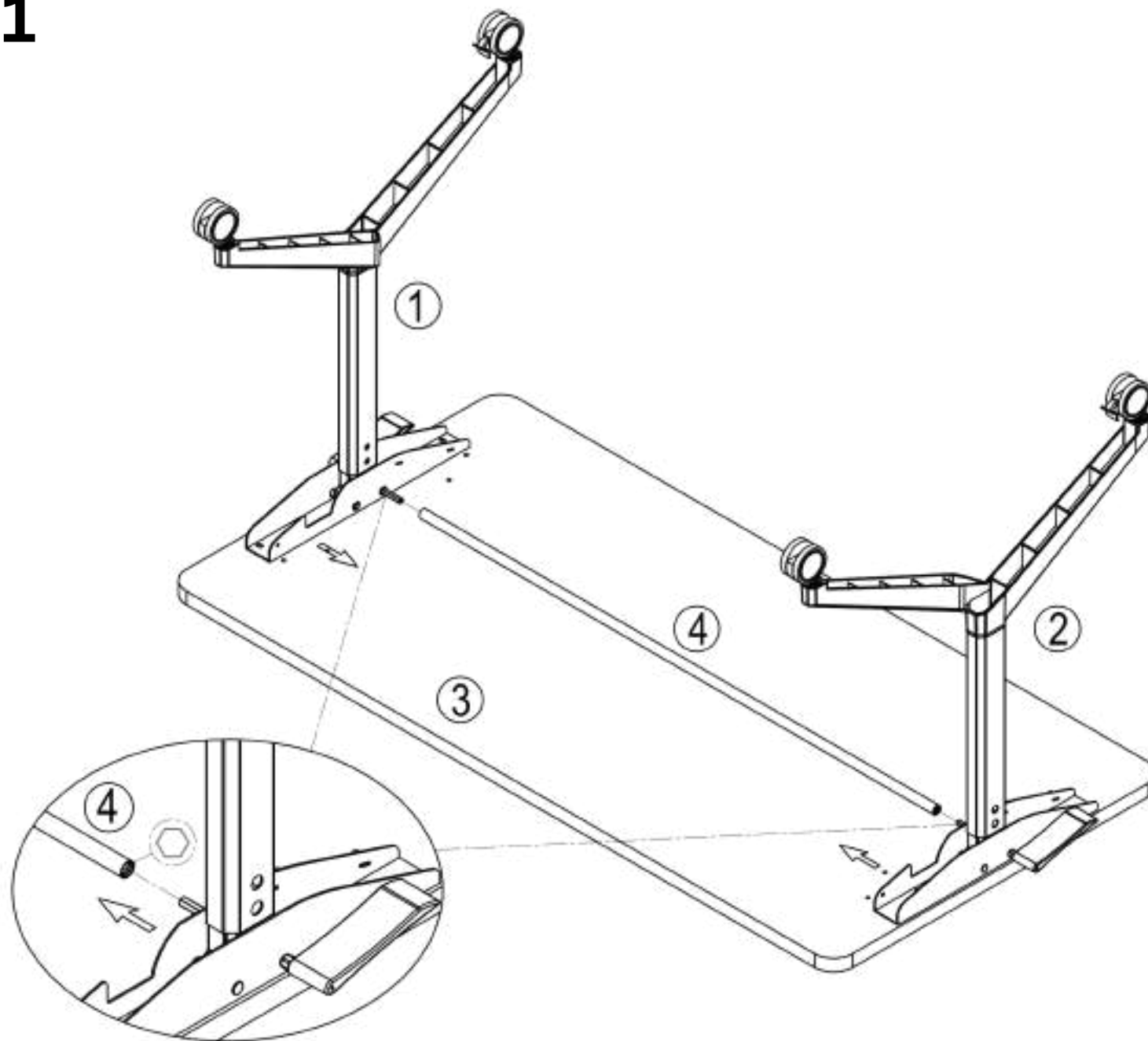
PARTS LIST

				
① x1	② x1	③ x1	④ x1	⑤ x1

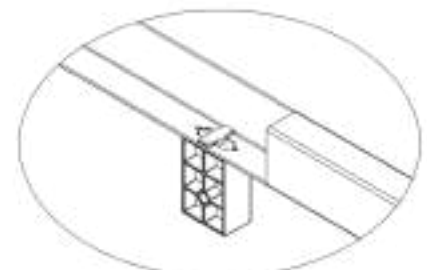
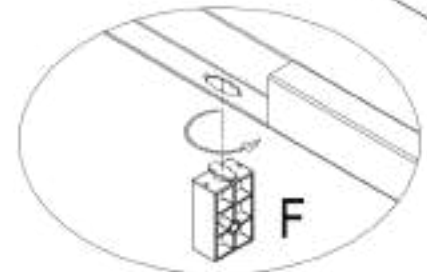
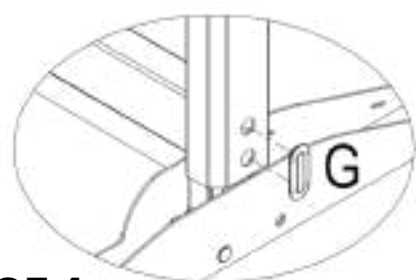
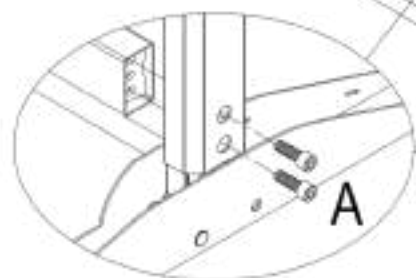
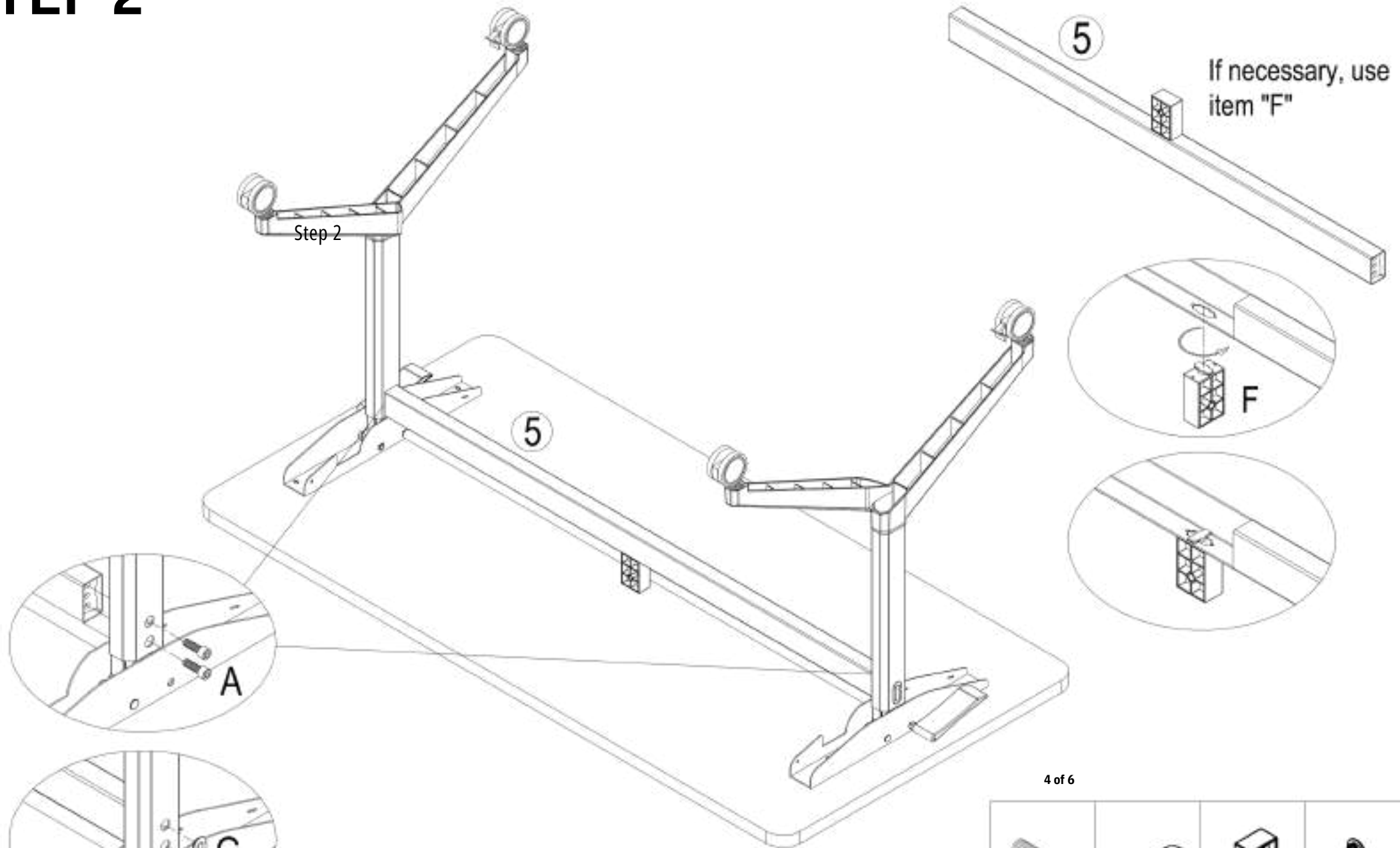
HARDWARE LIST

						
A x4(M8x25)	B x8()	C x1 (6mm)	D x1	E x1	F x1 If necessary	G x2





STEP 1



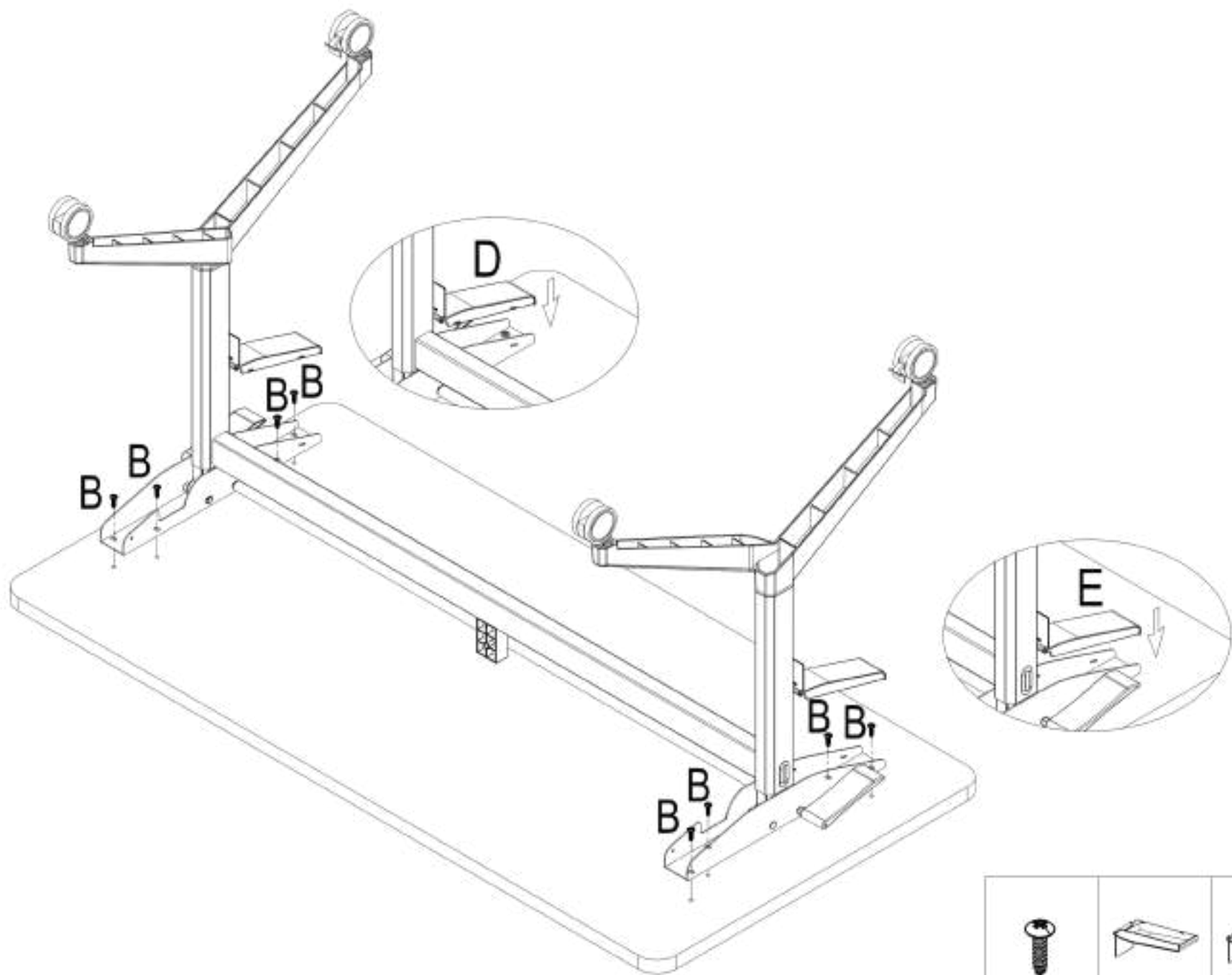
STEP 2






4 of 6

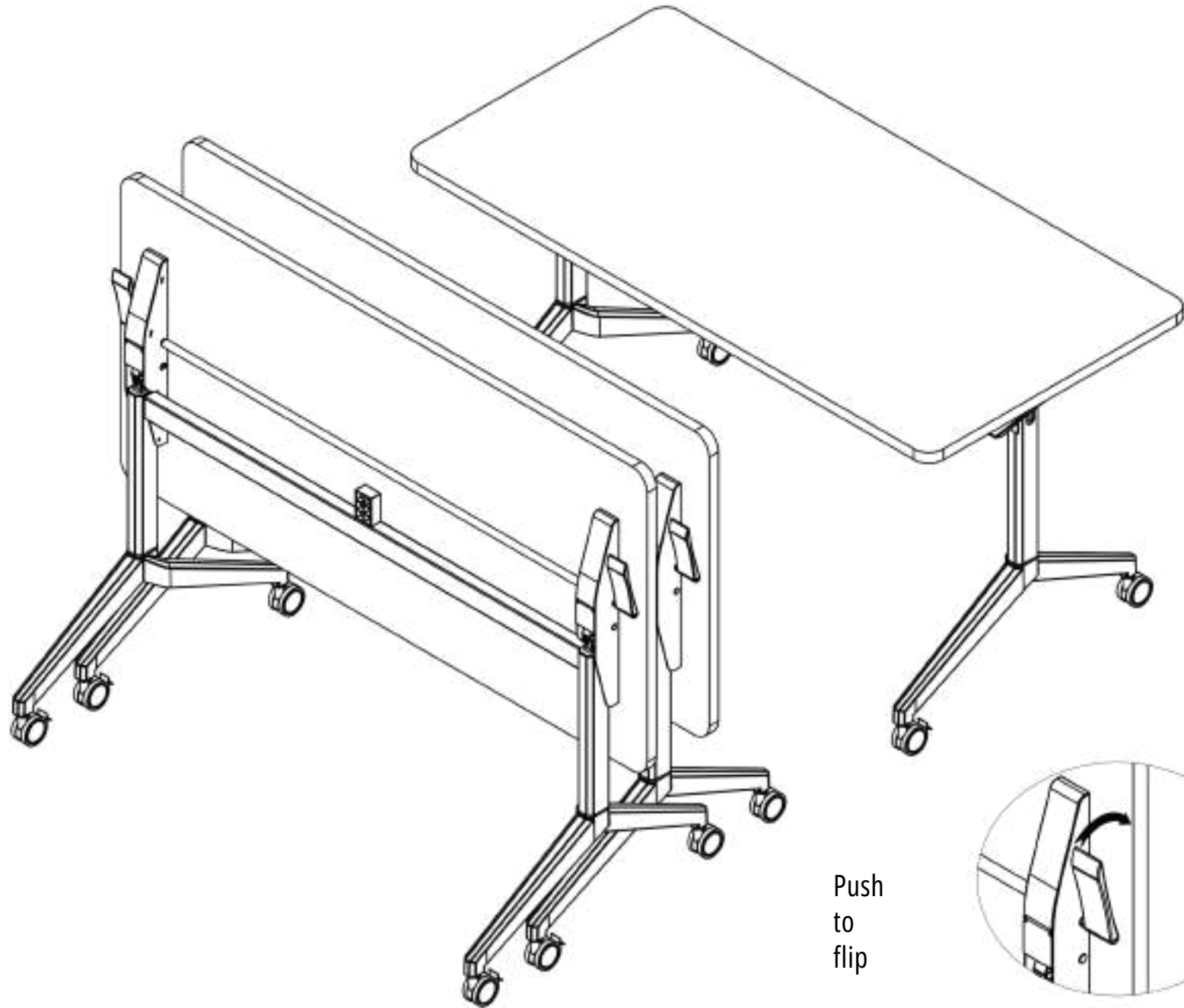
			
A x4	C x1	F x1 If necessary	G x2

STEP 3



		
B x8	D x1	E x1

STEP 4



Push
to
flip