

# ASSEMBLY INSTRUCTIONS:

Product Code : SB1P1275, SB1P1575, SB1P1875

Product Name: Fast Static Single Workstation

## TIME REQUIRED:

30 minutes

## TOOLS REQUIRED:

Screwdriver, Electric Drill, Pencil, Measuring tape/Ruler.

\*Tools are not included.

## SKILL REQUIRED:

Easy  Hard

The Assembly Skill Rating is a 5-point system that shows the degree of effort needed in assembling a specific product. With 1 being easy for the average person and 5 requiring an expert. For most products, two persons are recommended.

Please note, as this is a commercial product, some intermediate skills are required.

\*No pre-drill holes or markings are provided on tops.

### NOTE

- As this is a commercial product, some intermediate skills may be required.
  - No pre-drill holes or markings are provided on our table or desk tops.
    - Please check you have all hardware before assembling.
- If you are missing any hardware, please contact your Rapidline reseller. Please ensure you have the name of the item, required hardware part and quantity.
  - Please retain your receipt as proof of purchase to validate your warranty.
- Assemble on a clean, flat, smooth surface such as a rug or carpet to avoid parts from being scratched.
  - Remove all wrapping materials, including staples and packing straps before you start to assemble
    - Keep all hardware parts out of reach of children.

### CAUTION

- Heavy product. Do not attempt to lift or move without help
- Do not tighten screws and bolts until completely assembled.
- Do not use this product unless all bolts and screws are firmly secured and tightened.

### WARNING

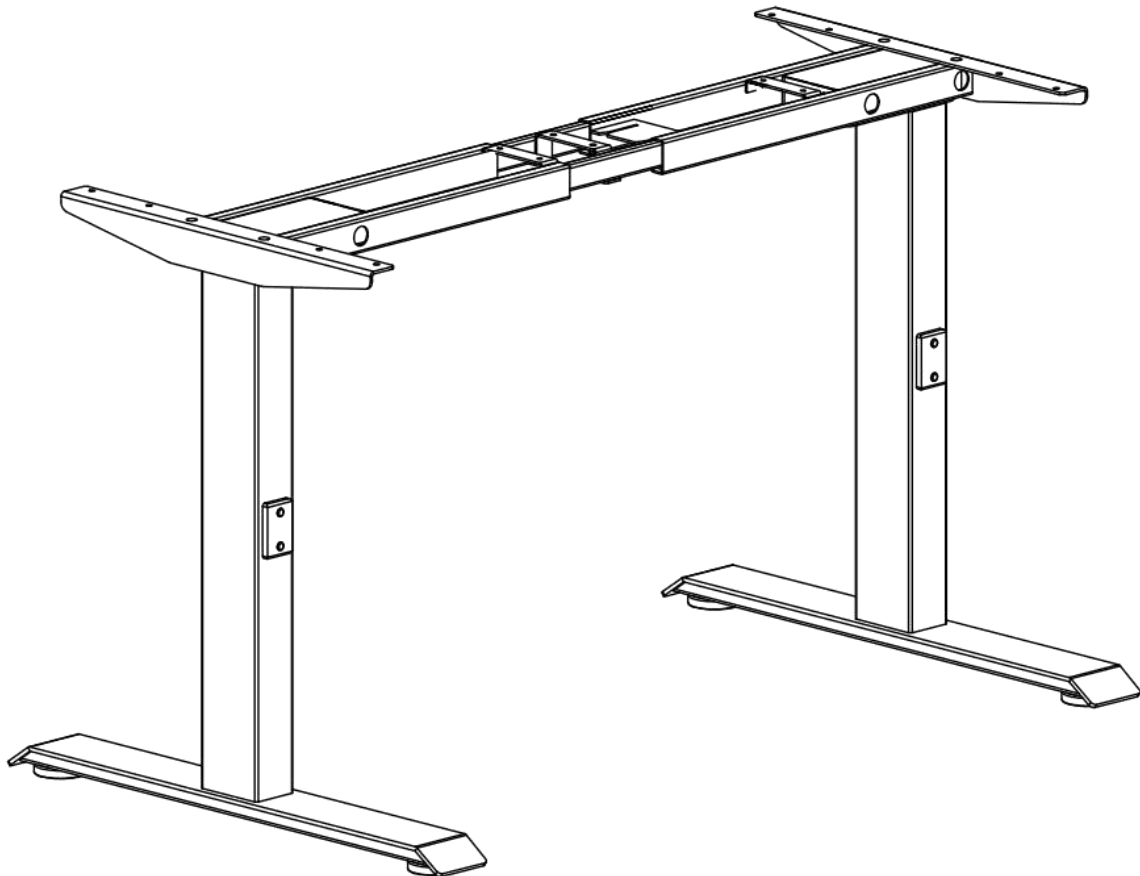
- If parts are missing, broken, damaged or worn stop using the product until all repairs are made.
  - Failure to follow these warnings could result in serious injury.

# Fast Plus Single Sided Fixed Height Workstation Frame

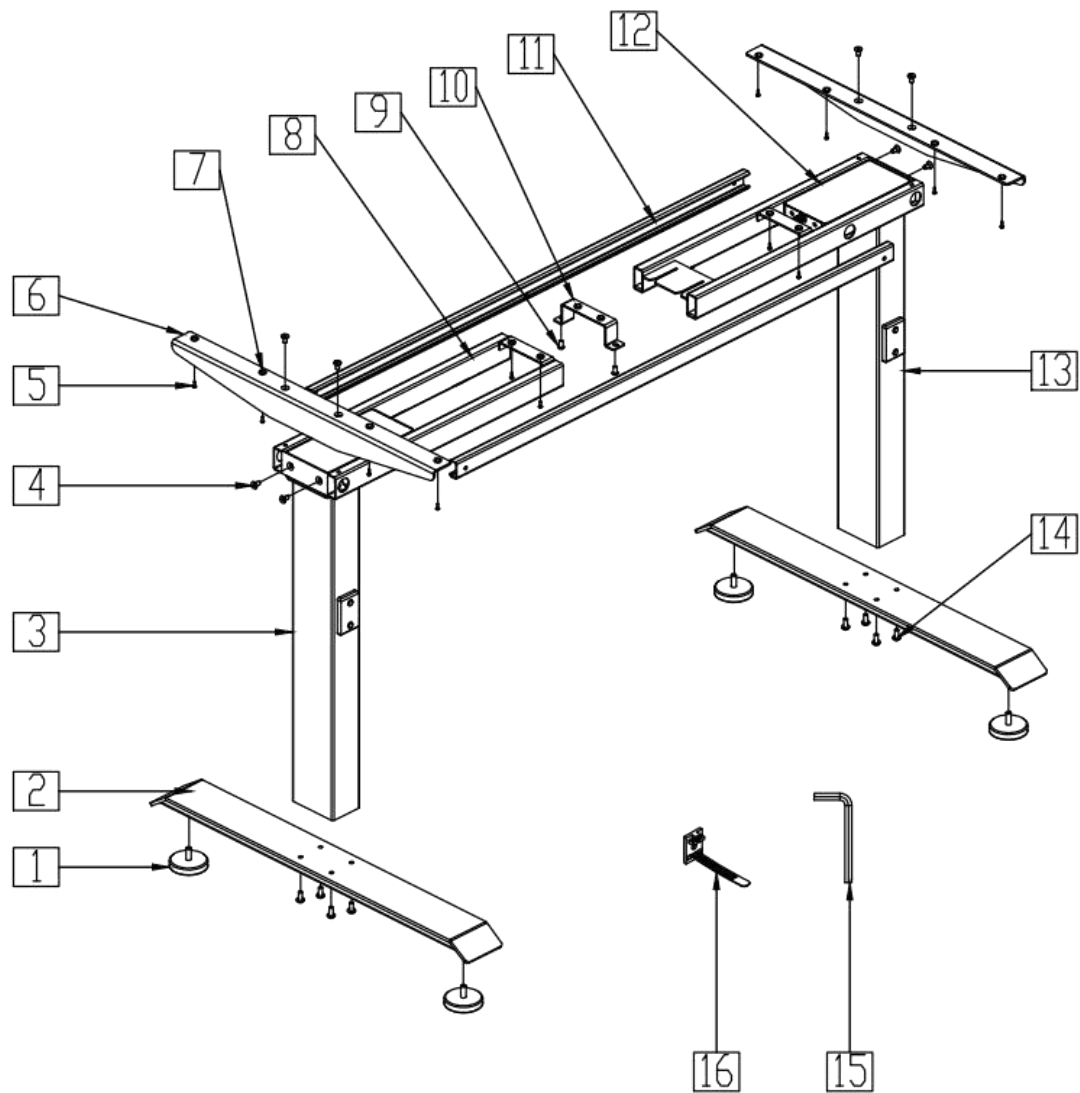
## Instruction Manual

### Table of Contents

|                             |   |
|-----------------------------|---|
| Component parts .....       | 2 |
| Assembly Instructions ..... | 3 |



## Component parts

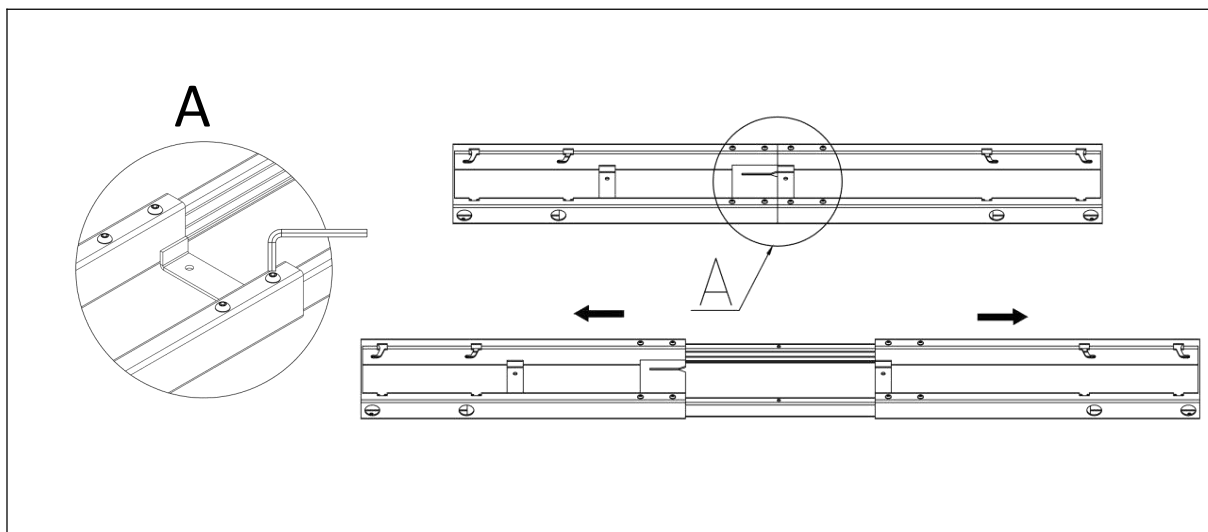


| NO. | Component Name | PCS | NO. | Component Name    | PCS |
|-----|----------------|-----|-----|-------------------|-----|
| 1   | Leveling pads  | 4   | 9   | Bolt: M6x10       | 3   |
| 2   | Table feet     | 2   | 10  | Centre bracket    | 1   |
| 3   | Column( right) | 1   | 11  | Center rails      | 2   |
| 4   | Bolt: M6x12    | 9   | 12  | Top frame-2       | 1   |
| 5   | Screw:ST4x20   | 22  | 13  | Column( left)     | 1   |
| 6   | Side brackets  | 2   | 14  | Bolt: M6x16       | 9   |
| 7   | Rubber pad     | 14  | 15  | Allen Wrench(4mm) | 1   |
| 8   | Top frame-1    | 1   | 16  | Cable Tie         | 5   |

# Assembly Instructions

## Step 1

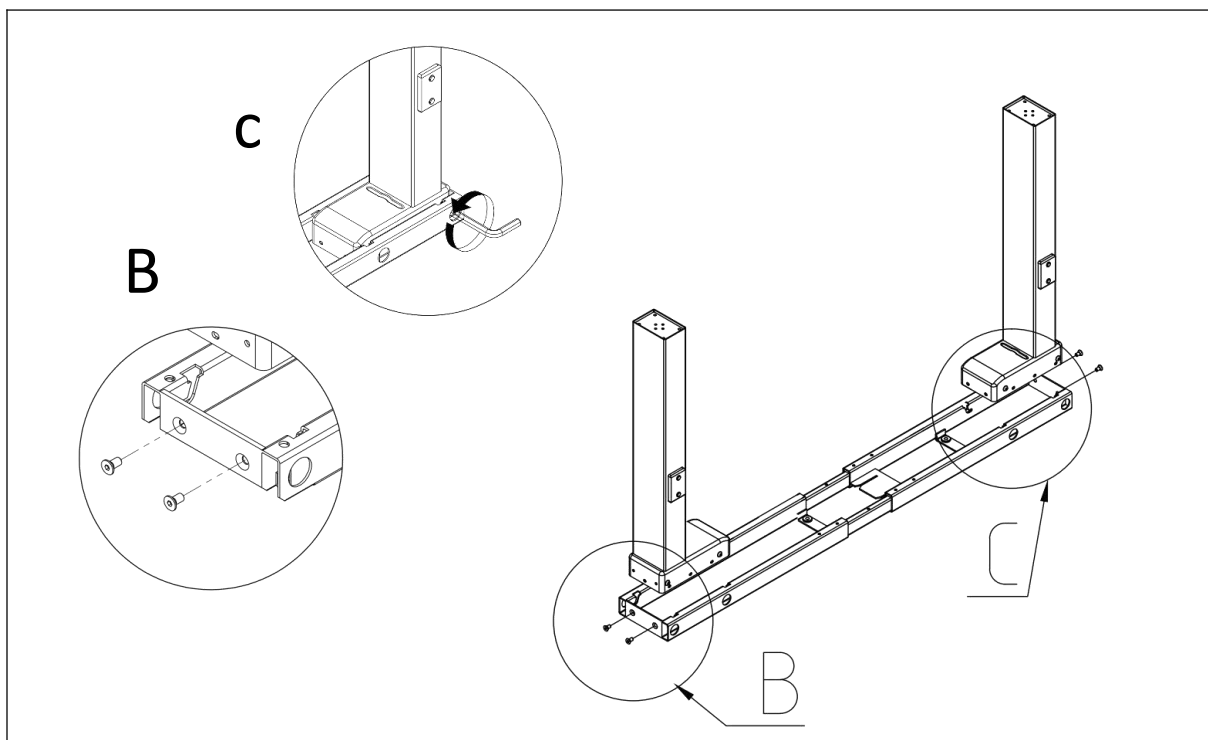
Loosen the pre-installed bolts and Adjust the length of the top frame to match the size of the table top.



## Step 2

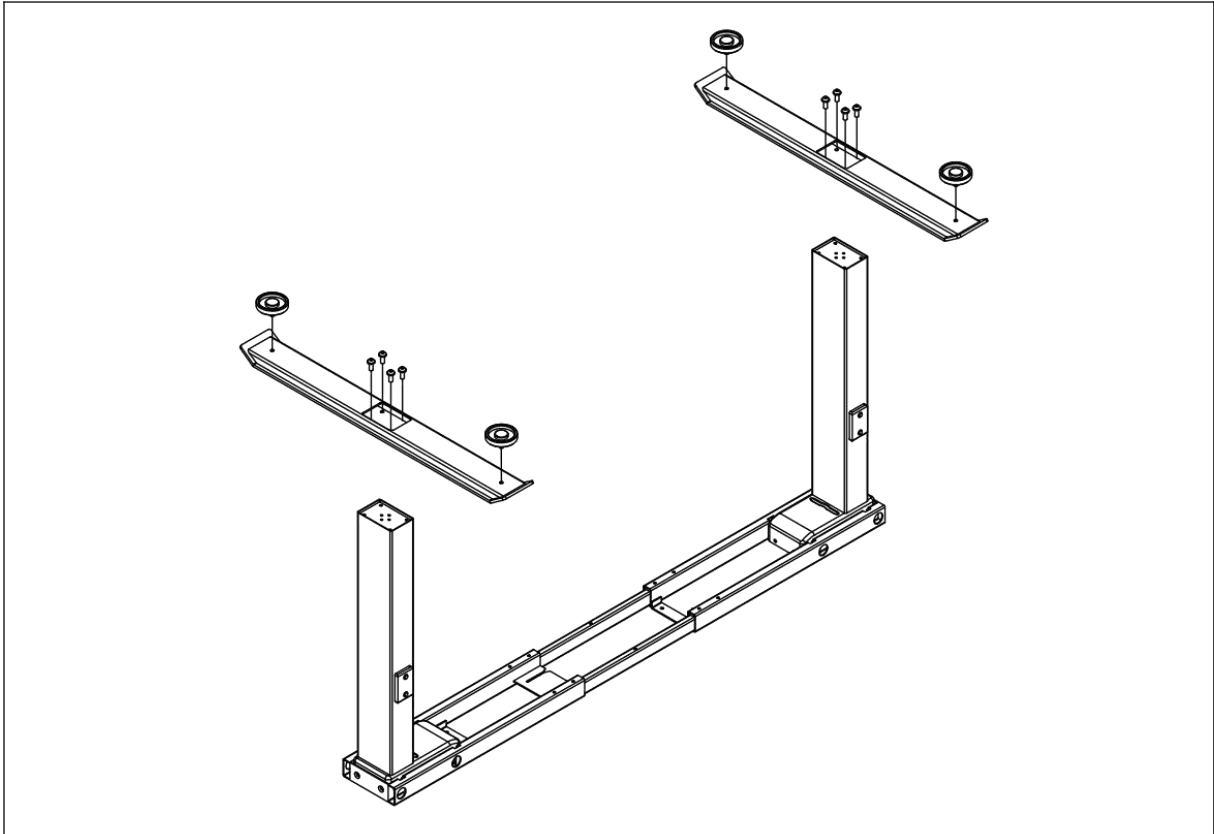
Inset the column to the top frame.

- First fix lifting column with 4 pcs screws M6x12 like **B** displayed
- And then tighten the pre-installed bolts like **C** displayed



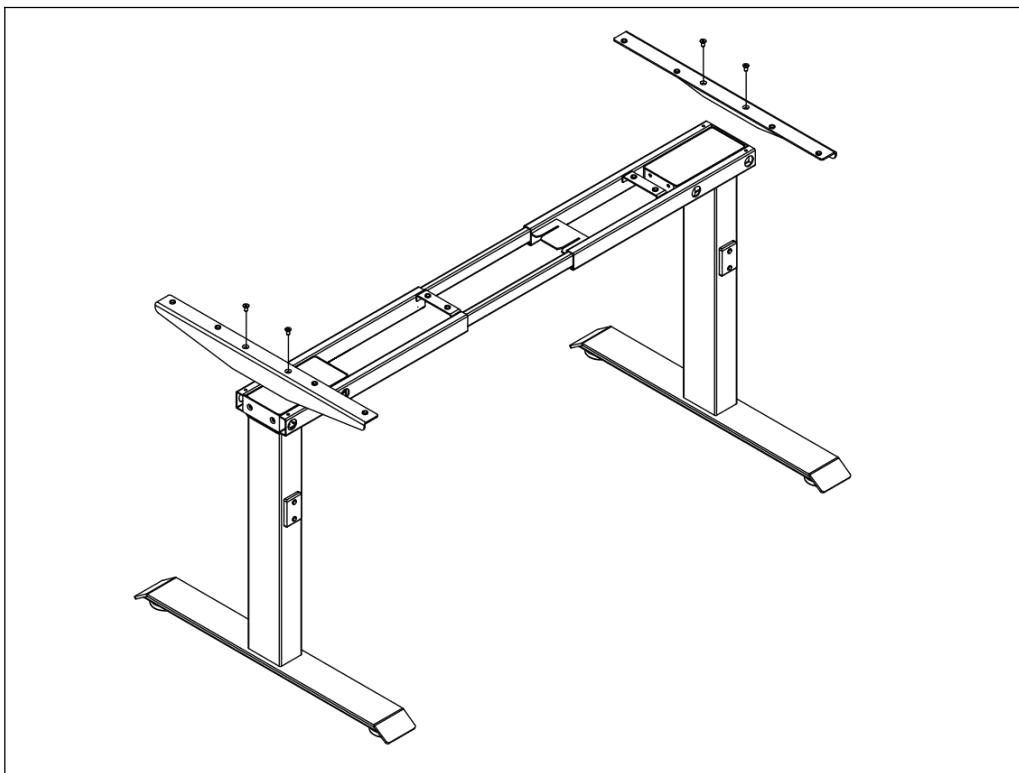
**Step 3**

Install the two table feet with Screws 8 pcs M6x16,  
Install the 4 pcs leveling pads



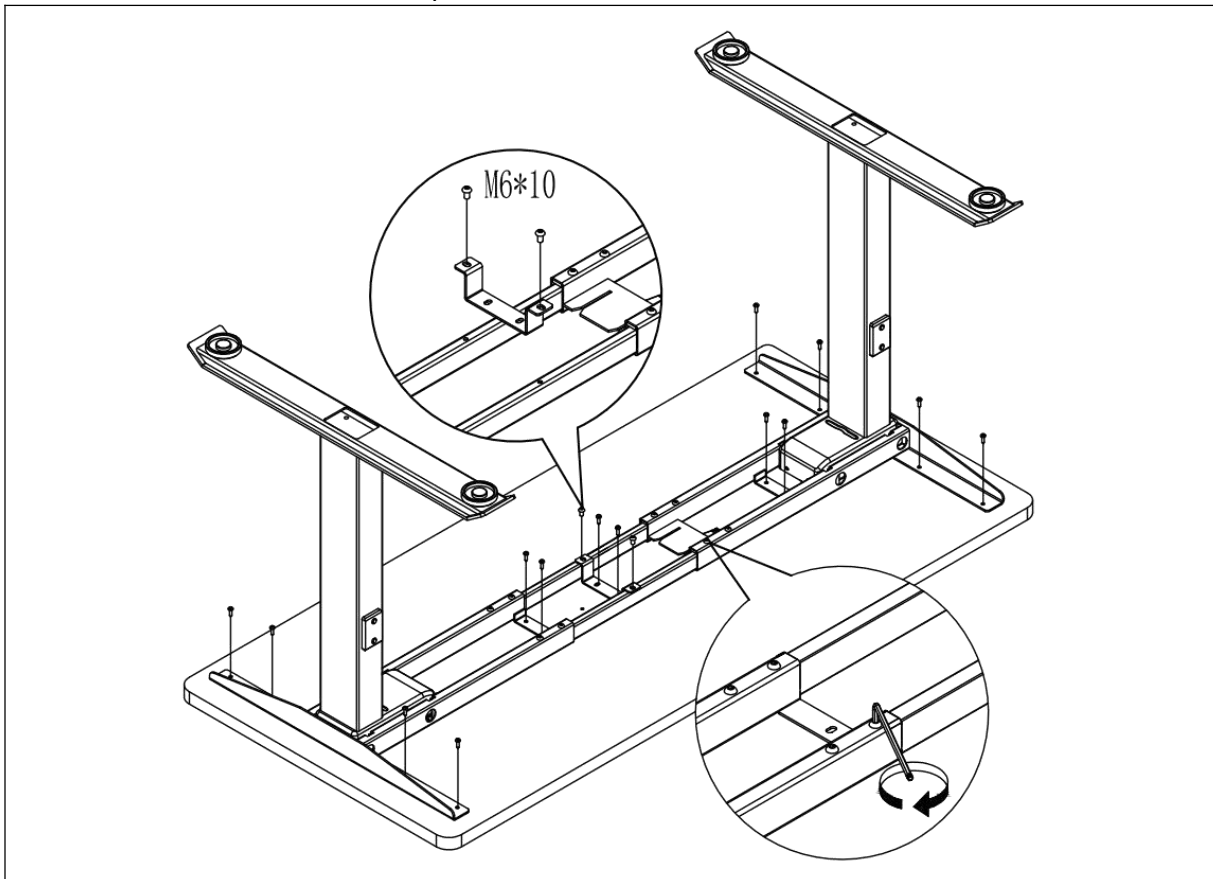
**Step 4**

Install the two side brackets with Screws 4 pcs M6x12,



**Step 5**

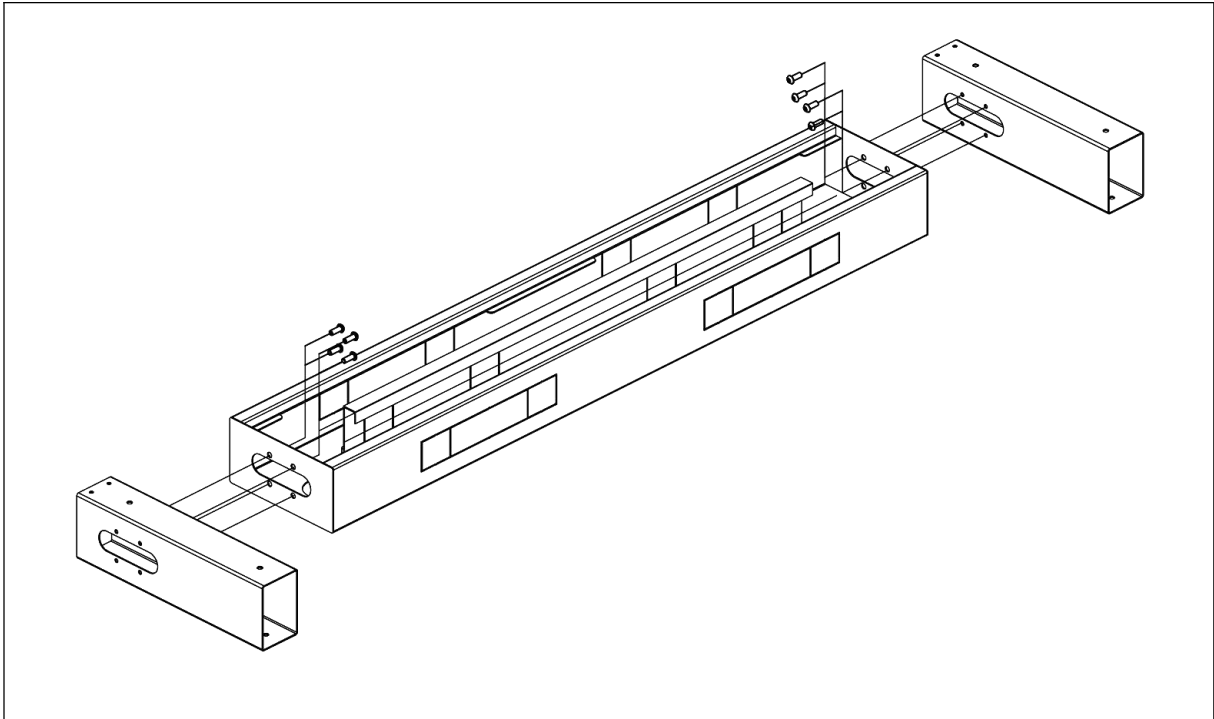
Mount the tabletop and fix it with 14 pcs screws ST4x20; Tighten the screws like D display to fix the top frame. Fix the centre bracket with 2 pcs screws M6x10



## Cable tray installation

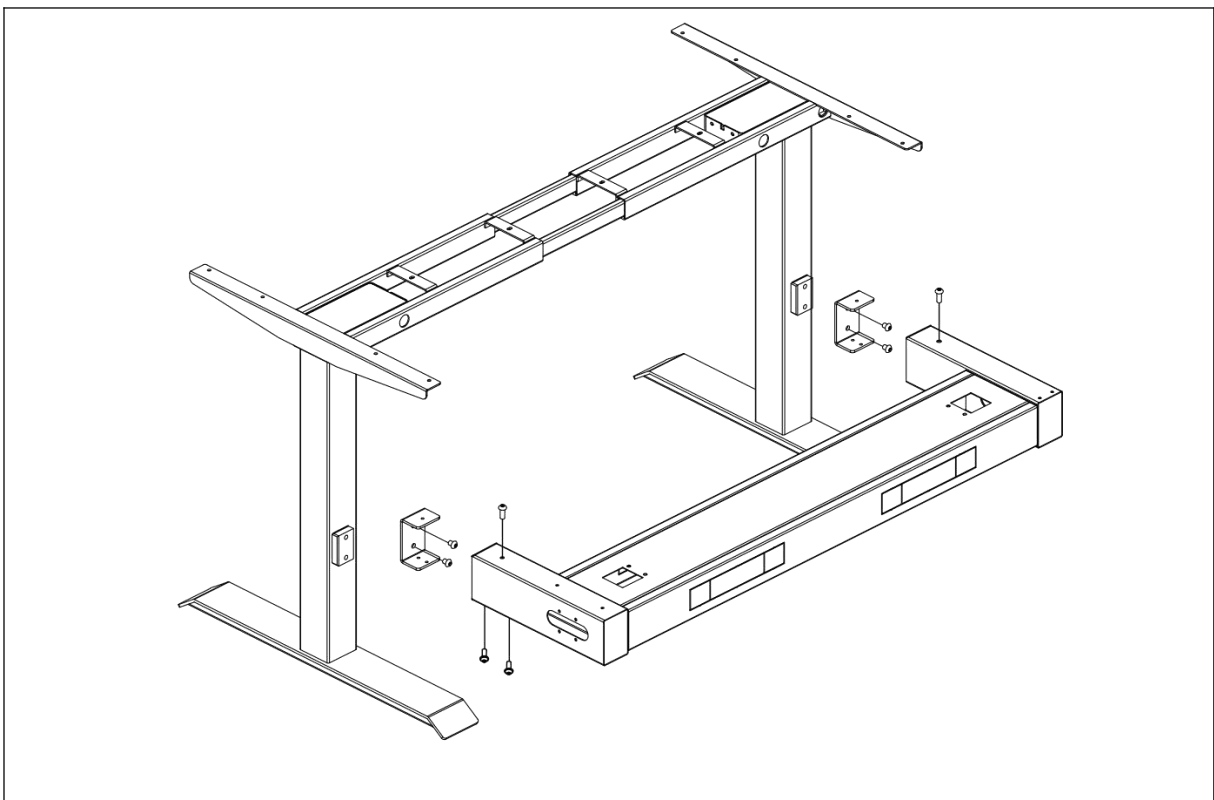
### Step 1

- Fix the cable tray to the cable tray arms with 8 pcs M6x10 screws.



### Step 1

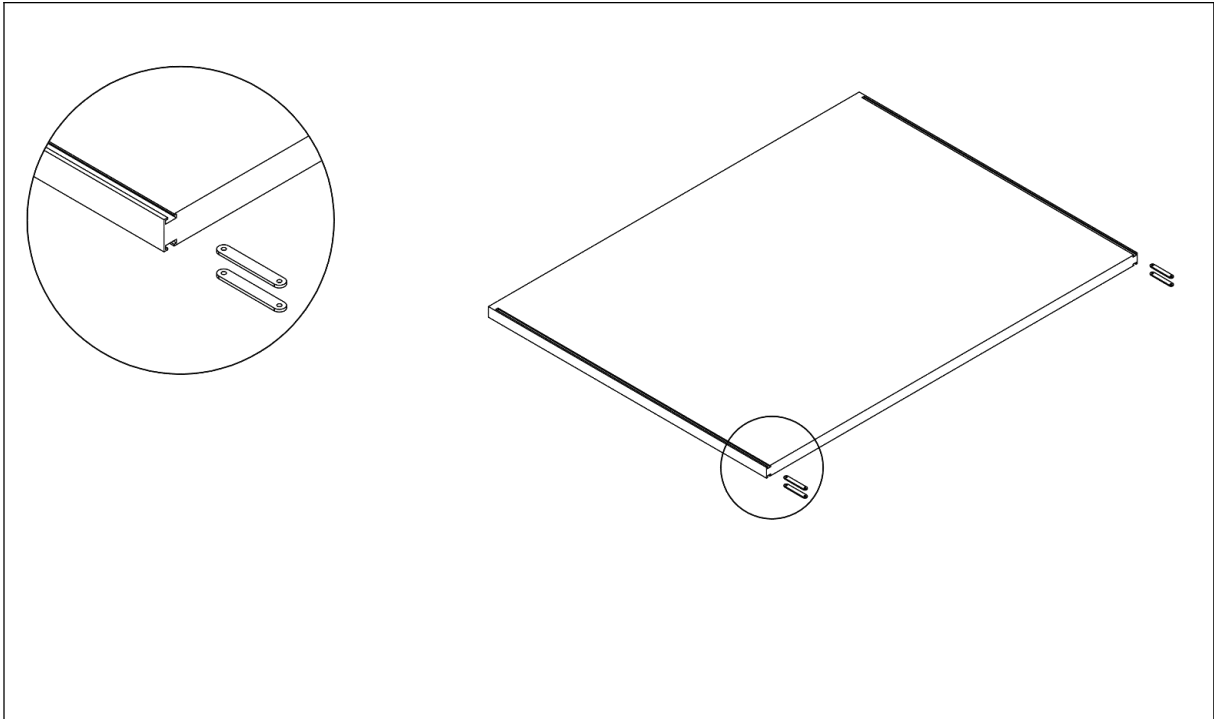
- Install the U brackets to the desk frame with 4 pcs M8x10 screws.
- Mount the cable tray to the desk frame and fix it with 6 pcs M6x10 screws



## Screen panel installation

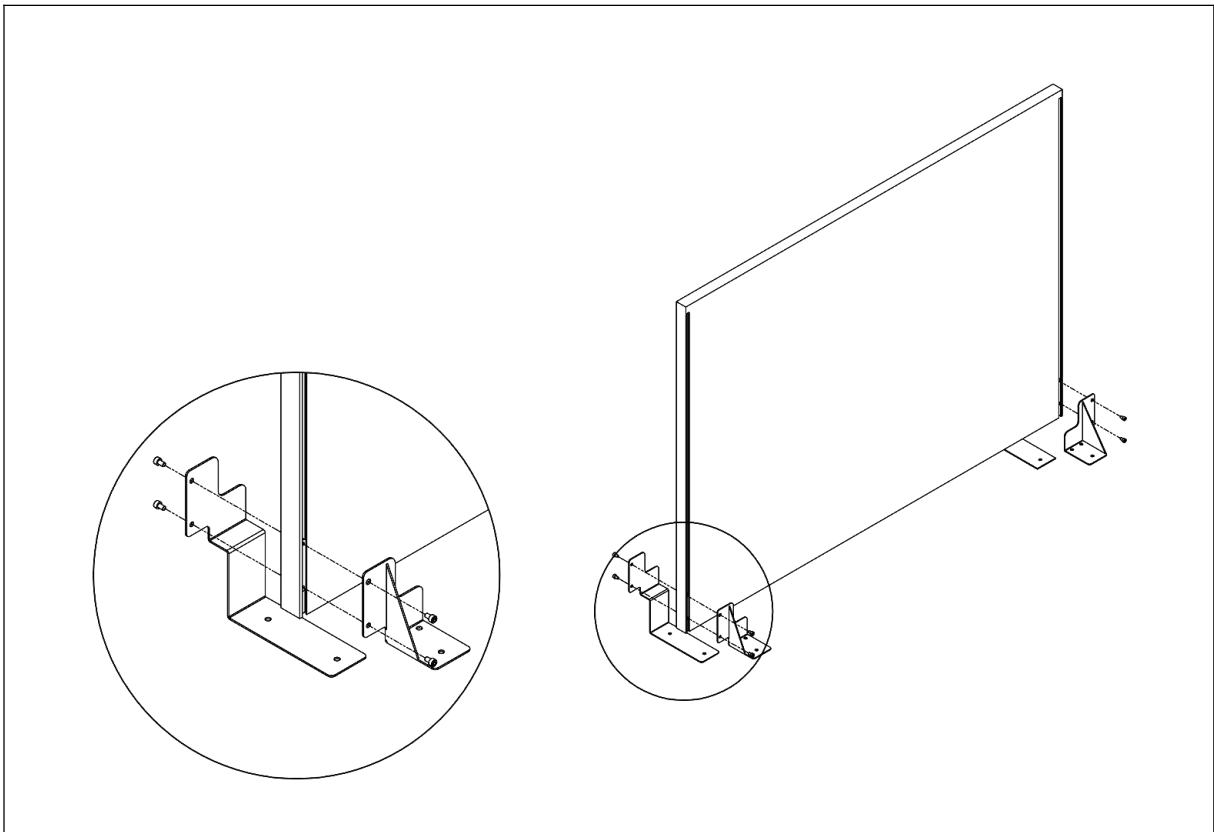
### Step 1

- Insert the tapped plates to the screen panel



### Step 2

- Install the brackets to the panel with 8 pcs M5x6 screws.





### Step 3

- Fix the panel to the desk frame with 10 pcs M6x10 screws.

