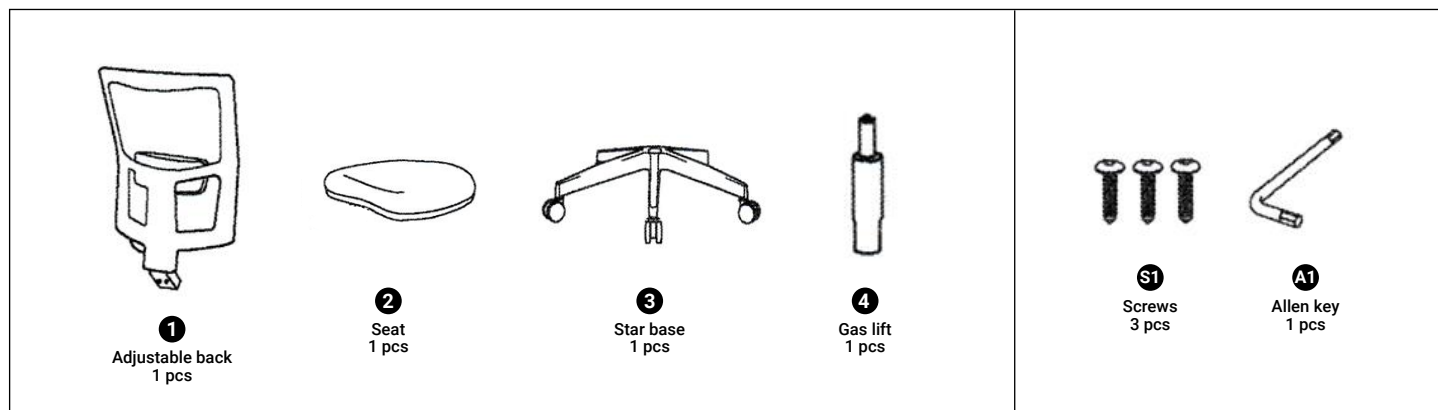
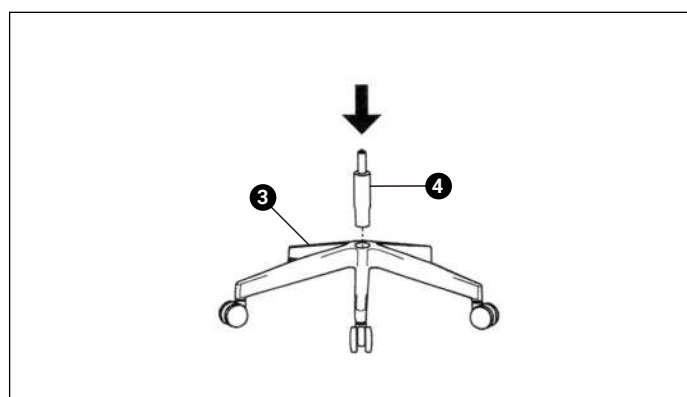


# Team Sync Assembly Guide

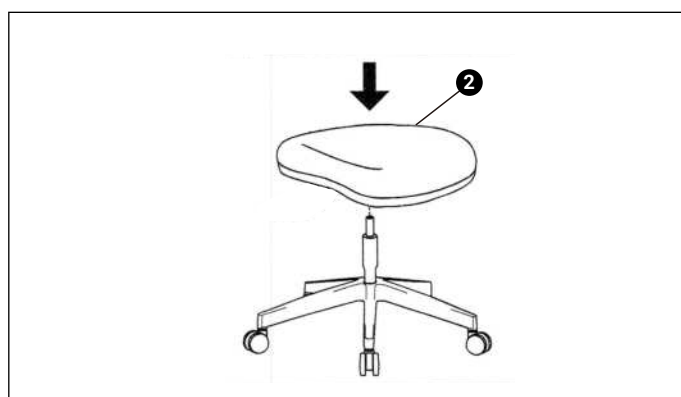
## What's in the box



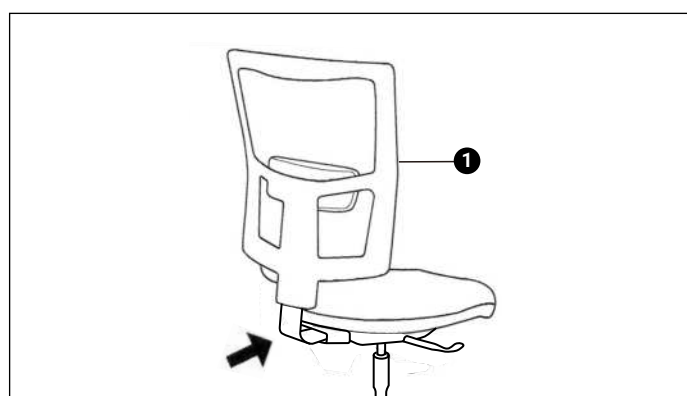
## Assemble your Team Sync



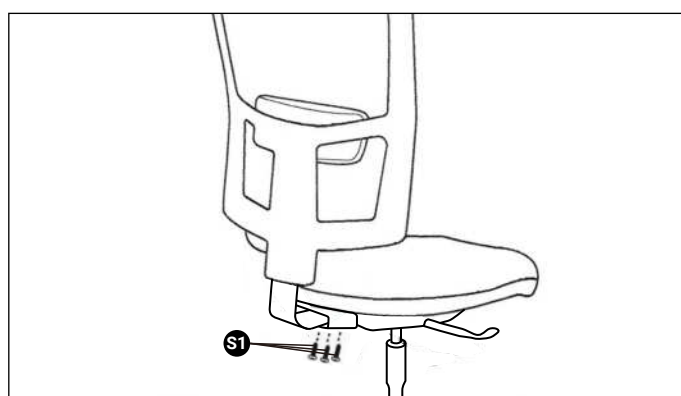
**Step 1**  
Place gas lift into star base



**Step 2**  
Place seat on gas lift



**Step 3**  
Slide back into seat and align screw holes



**Step 4**  
Use the allen key to tighten screws in place