

ASSEMBLY INSTRUCTIONS:

Lumina Leg Back to Back Workstation

TIME REQUIRED:

40-45 minutes

TOOLS REQUIRED:

Screwdriver, Electric Drill, Pencil, Measuring tape/Ruler

*Tools are not included.

SKILL REQUIRED:

Easy ●●●●○ Hard

The Assembly Skill Rating is a 5-point system that shows the degree of effort needed in assembling a specific product. With 1 being easy for the average person and 5 requiring an expert. For most products, two persons are recommended.

Please note, as this is a commercial product, some intermediate skills are required.

*No pre-drill holes or markings are provided on tops.

NOTE

- As this is a commercial product, some intermediate skills may be required.
 - No pre-drill holes or markings are provided on our table or desk tops.
 - Please check you have all hardware before assembling.
- If you are missing any hardware, please contact your Rapidline reseller. Please ensure you have the name of the item, required hardware part and quantity.
 - Please retain your receipt as proof of purchase to validate your warranty.
- Assemble on a clean, flat, smooth surface such as a rug or carpet to avoid parts from being scratched.
 - Remove all wrapping materials, including staples and packing straps before you start to assemble
 - Keep all hardware parts out of reach of children.

CAUTION

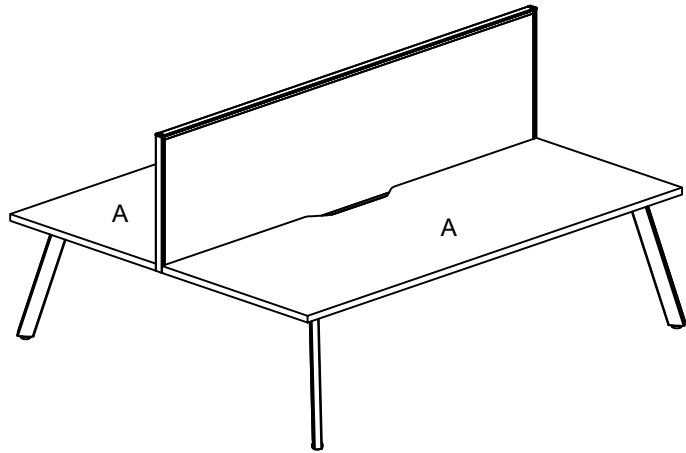
- Heavy product. Do not attempt to lift or move without help
- Do not tighten screws and bolts until completely assembled.
- Do not use this product unless all bolts and screws are firmly secured and tightened.

WARNING

- If parts are missing, broken, damaged or worn stop using the product until all repairs are made.
 - Failure to follow these warnings could result in serious injury.

Assembly Instructions

MODEL NO: Lumina Back to Back - 2 Person

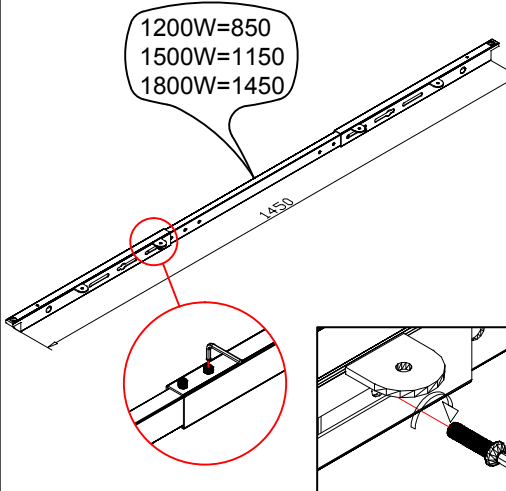


Screw 8x16 1 32PCS	M5 5 1PCS
Screw 6x16 2 4PCS	M4 6 1PCS
Screw 5x20 3 3+4PCS	M8 7 1PCS
L 4 2PCS	

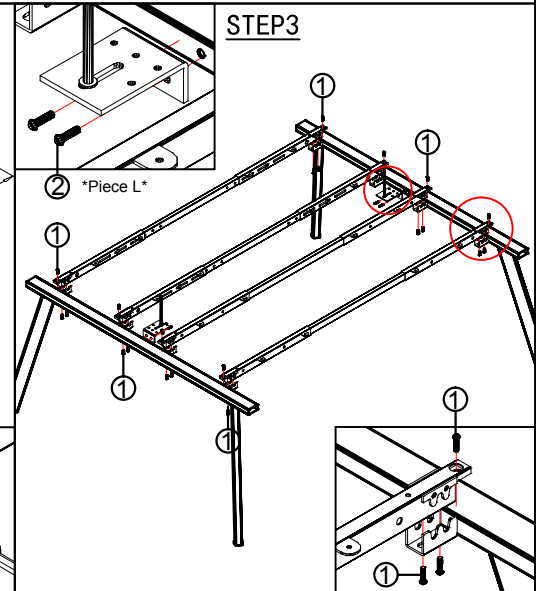
*Piece L only supplied with "with screen" option

Assembly Instructions

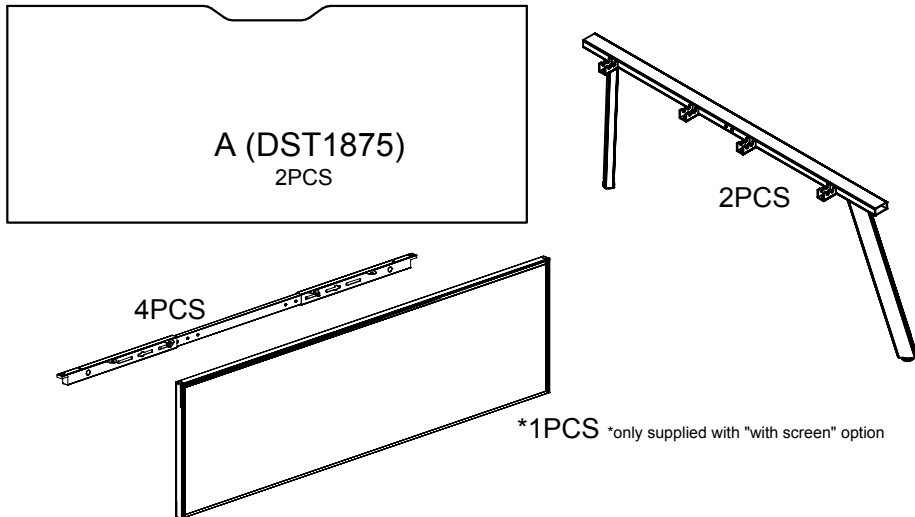
STEP2



STEP3

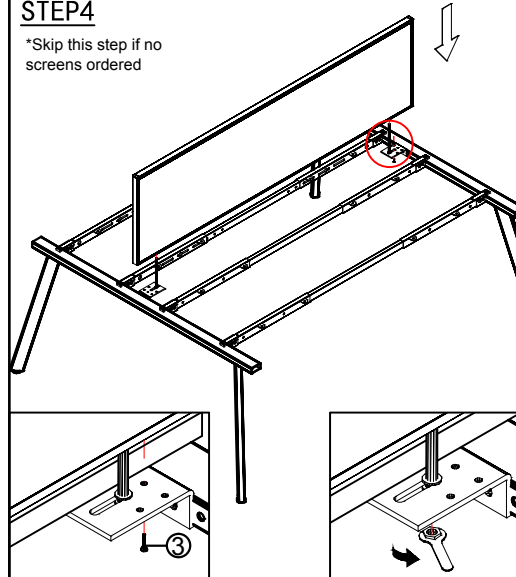


STEP1

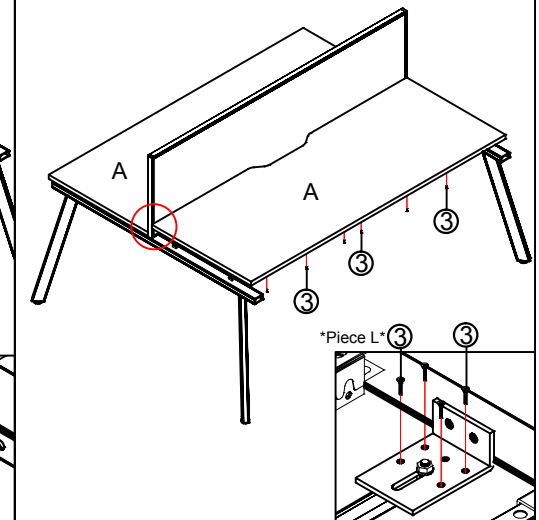


STEP4

*Skip this step if no screens ordered



STEP5



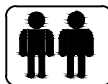
IMPORTANT NOTE:

- Place all laminated parts on a clean and smooth surface such as a rug or carpet to avoid the parts from being scratched.
- Check to be sure that you have all parts and hardware.
- Remove all wrapping materials, including staples & packing straps before you start to assemble.
- Don't tighten all screws/bolts until all completely assembled.
- Keep all hardware parts out of reach of children



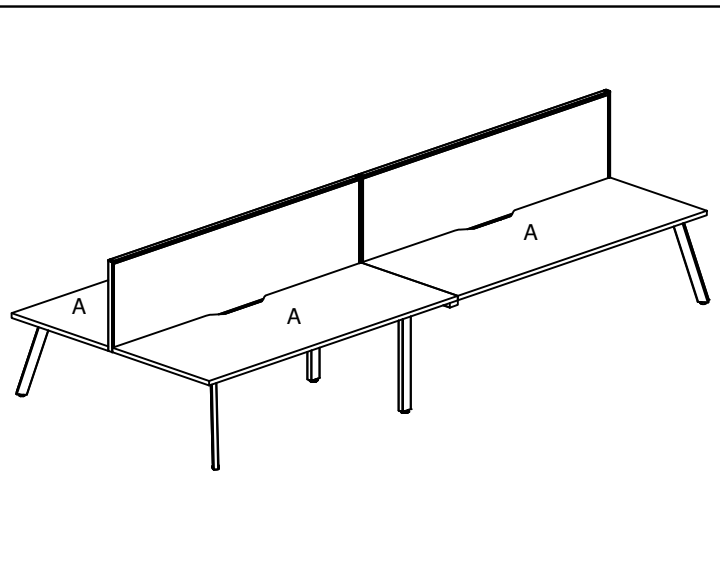
IMPORTANT NOTE:

- Place all laminated parts on a clean and smooth surface such as a rug or carpet to avoid the parts from being scratched.
- Check to be sure that you have all parts and hardware.
- Remove all wrapping materials, including staples & packing straps before you start to assemble.
- Don't tighten all screws/bolts until all completely assembled.
- Keep all hardware parts out of reach of children



Assembly Instructions

MODEL NO: Lumina Back to Back - 4 Person

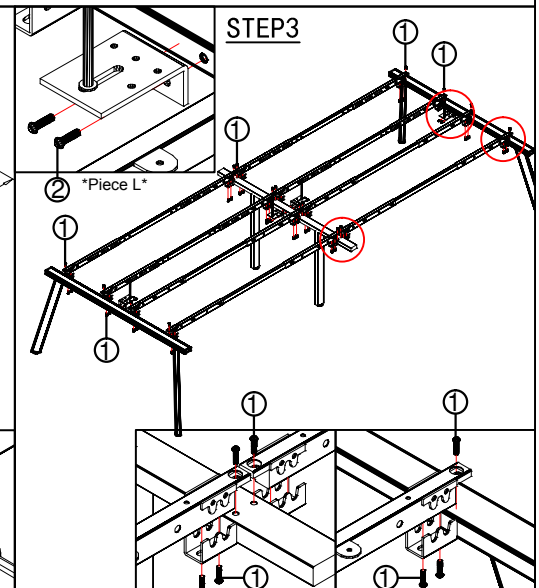
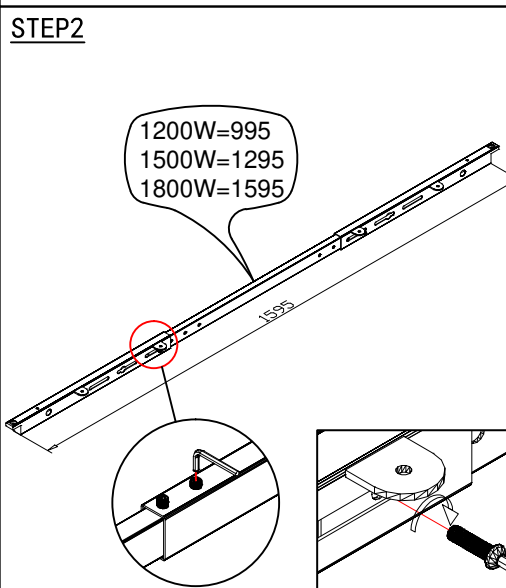


Screw 8x16 1 64PCS	M5 5 1PCS
Screw 6x16 2 8PCS	M4 6 1PCS
Screw 5x20 3 68+4PCS	M8 7 1PCS
L 4 4PCS	

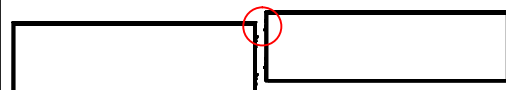
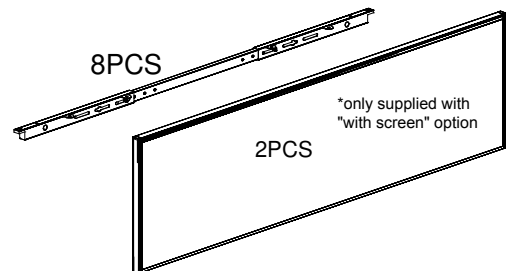
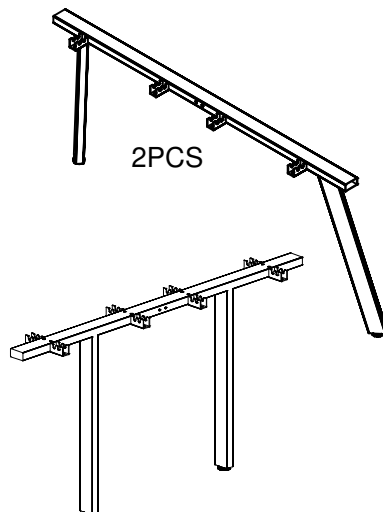
*Piece L only supplied with "with screen" option

Assembly Instructions

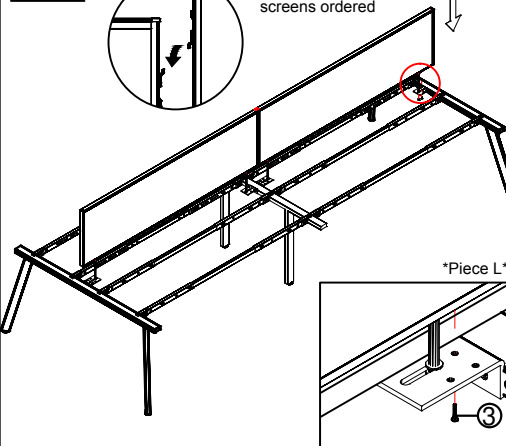
MODEL NO:



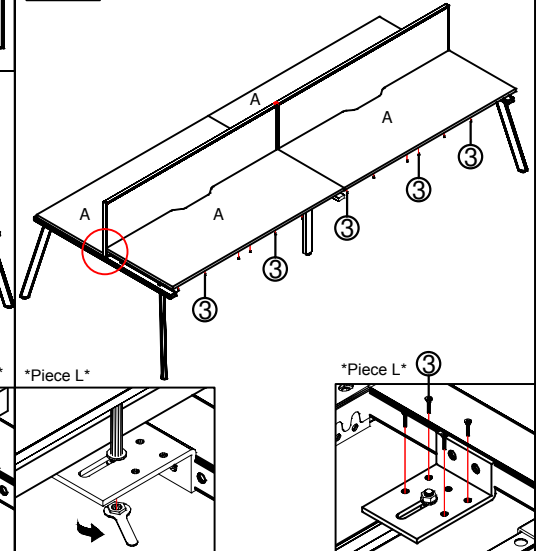
STEP1



STEP4

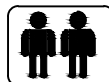


STEP5



IMPORTANT NOTE:

- Place all laminated parts on a clean and smooth surface such as a rug or carpet to avoid the parts from being scratched.
- Check to be sure that you have all parts and hardware.
- Remove all wrapping materials, including staples & packing straps before you start to assemble.
- Don't tighten all screws/bolts until all completely assembled.
- Keep all hardware parts out of reach of children



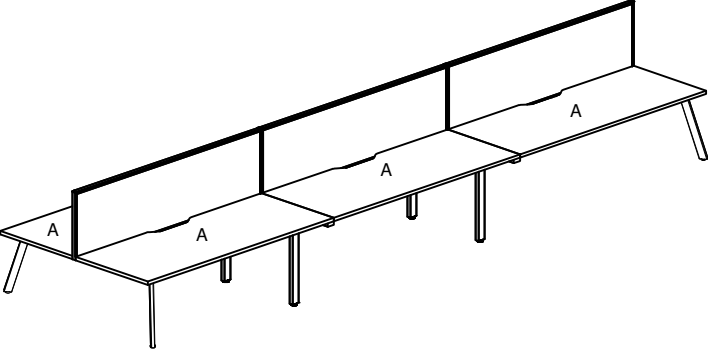
IMPORTANT NOTE:

- Place all laminated parts on a clean and smooth surface such as a rug or carpet to avoid the parts from being scratched.
- Check to be sure that you have all parts and hardware.
- Remove all wrapping materials, including staples & packing straps before you start to assemble.
- Don't tighten all screws/bolts until all completely assembled.
- Keep all hardware parts out of reach of children



Assembly Instructions

MODEL NO: Lumina Back to Back - 6 Person



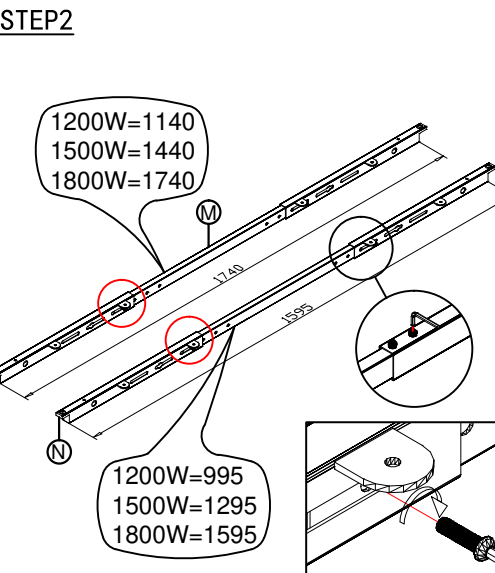
Screw 8x16	1	96PCS	5	M5	1PCS
Screw 6x16	2	12PCS	6	M4	1PCS
Screw 5x20	3	102+4PCS	7	M8	1PCS
L	4	6PCS			

*Piece L only supplied with "with screen" option
Skip all Piece L steps

Assembly Instructions

MODEL NO:

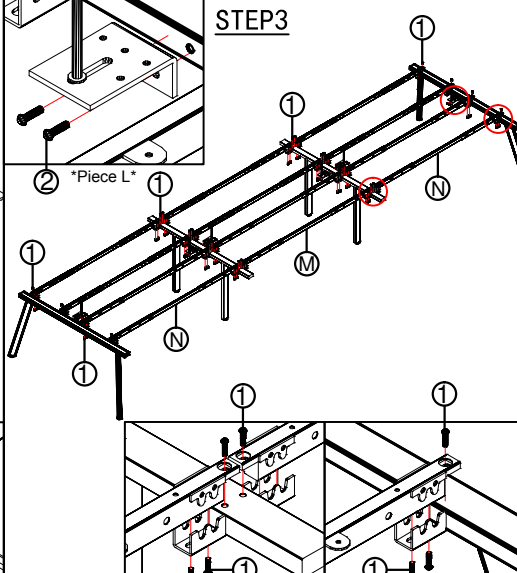
STEP2



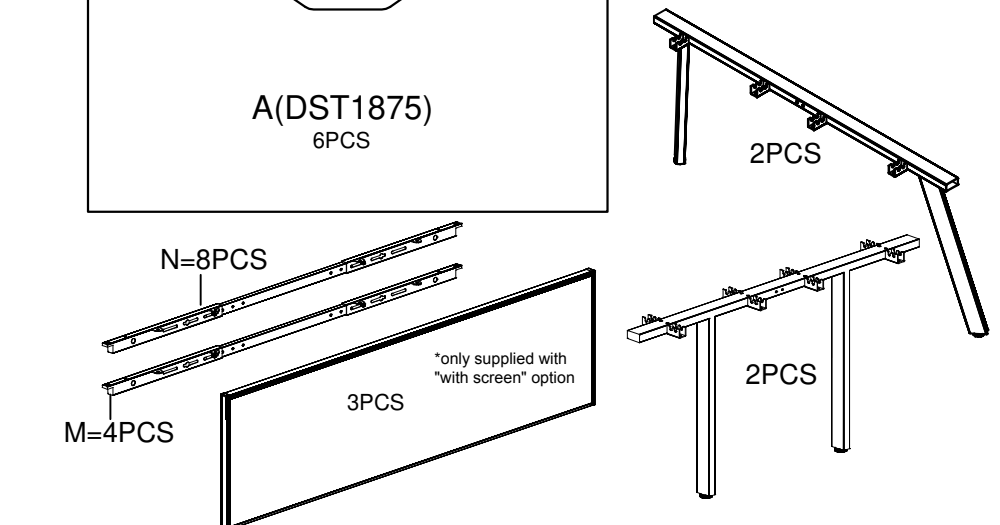
1200W=1140
1500W=1440
1800W=1740

1200W=995
1500W=1295
1800W=1595

STEP3



STEP1



A(DST1875)
6PCS

N=8PCS

M=4PCS

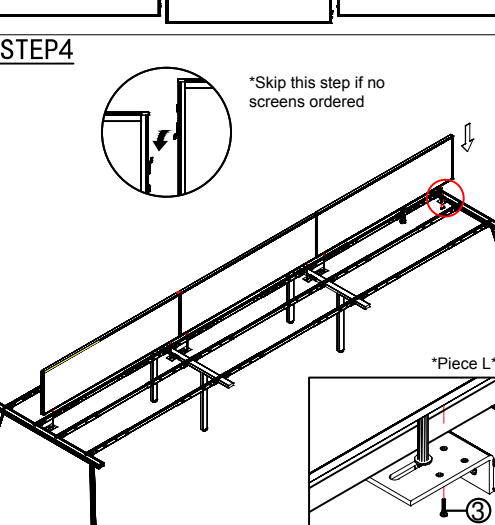
3PCS
*only supplied with "with screen" option

2PCS

2PCS

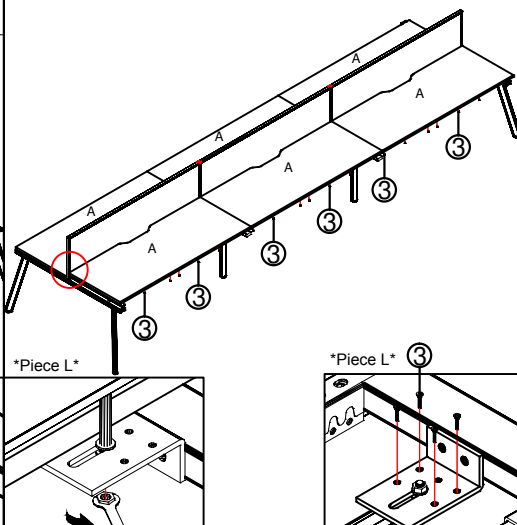
STEP5

STEP4



*Skip this step if no screens ordered

STEP5



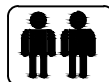
Piece L

Piece L

Piece L

IMPORTANT NOTE:

- Place all laminated parts on a clean and smooth surface such as a rug or carpet to avoid the parts from being scratched.
- Check to be sure that you have all parts and hardware.
- Remove all wrapping materials, including staples & packing straps before you start to assemble.
- Don't tighten all screws/bolts until all completely assembled.
- Keep all hardware parts out of reach of children



IMPORTANT NOTE:

- Place all laminated parts on a clean and smooth surface such as a rug or carpet to avoid the parts from being scratched.
- Check to be sure that you have all parts and hardware.
- Remove all wrapping materials, including staples & packing straps before you start to assemble.
- Don't tighten all screws/bolts until all completely assembled.
- Keep all hardware parts out of reach of children

