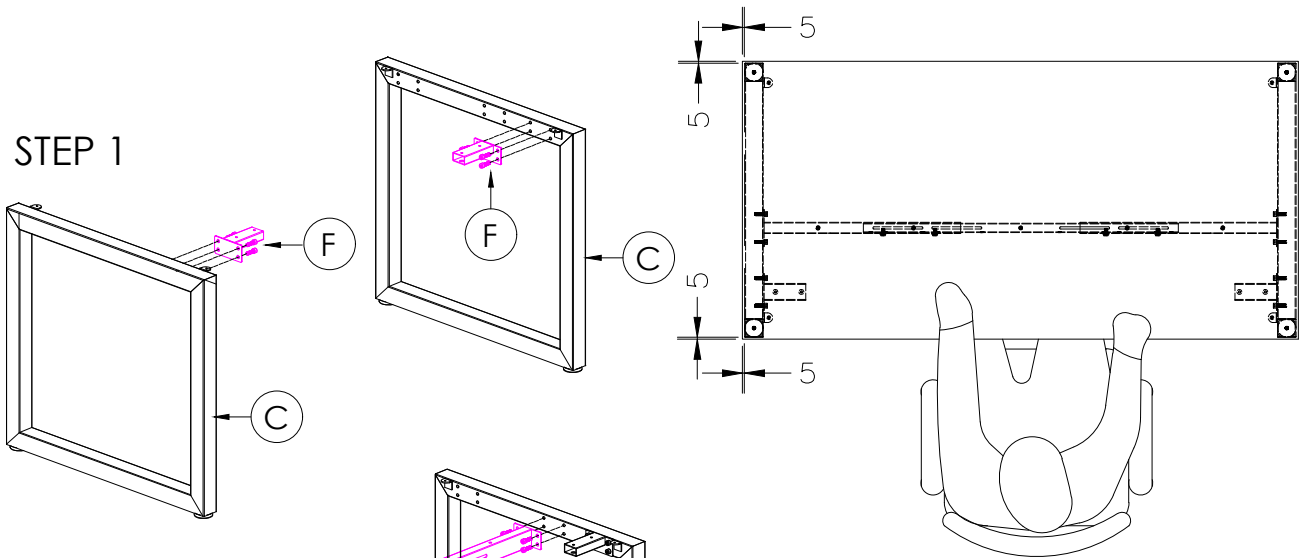
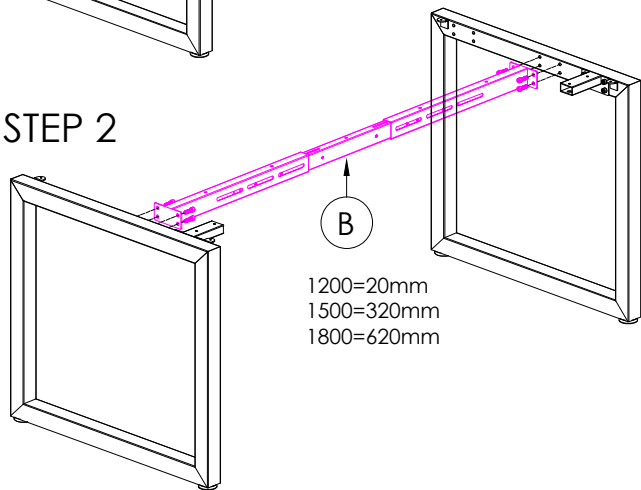


A	VARIOUS SIZES DESKTOP	x1			D	M6 x 20mm BUTTON HEAD ALLEN BOLT	x4
B	ST-AB1218 ADJUSTABLE BEAM	x1	C	2x LP-LE75	E	70mm CHIPBOARD SCREW	x5
F	100mm x 50mm BRACKET	x2	G	3mm SPACER	H	25mm CHIPBOARD SCREW	x4

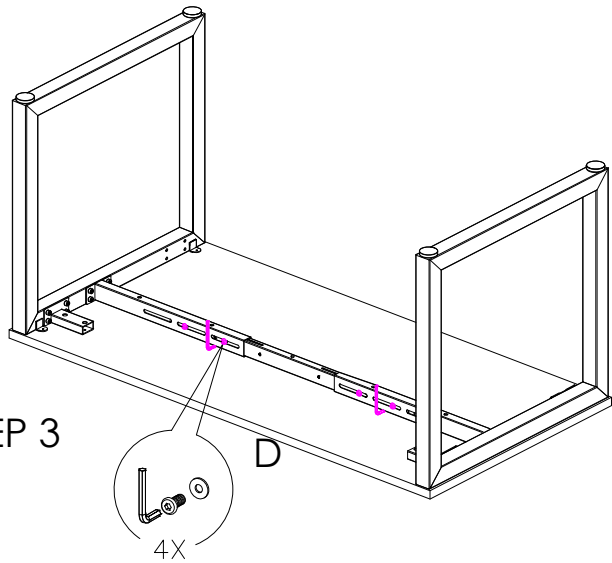
STEP 1



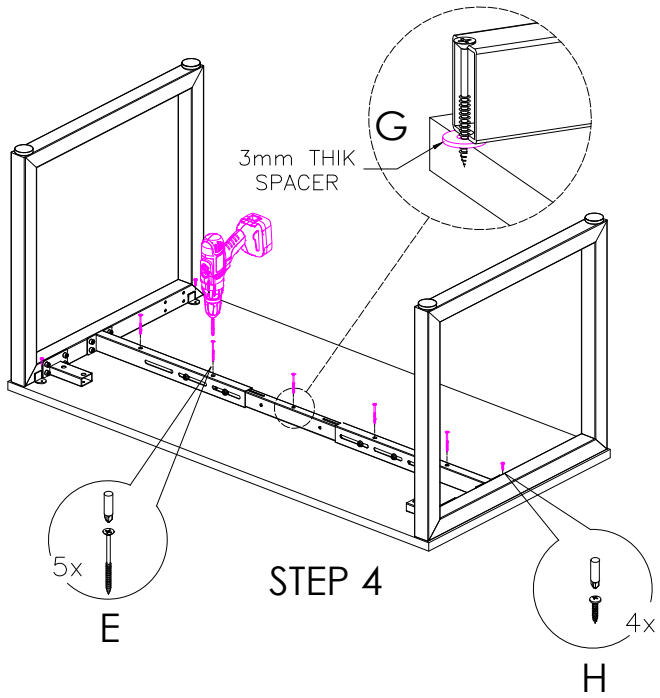
STEP 2



STEP 3



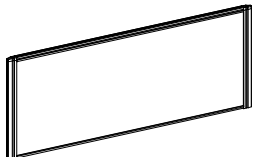

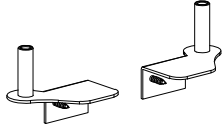
STEP 4



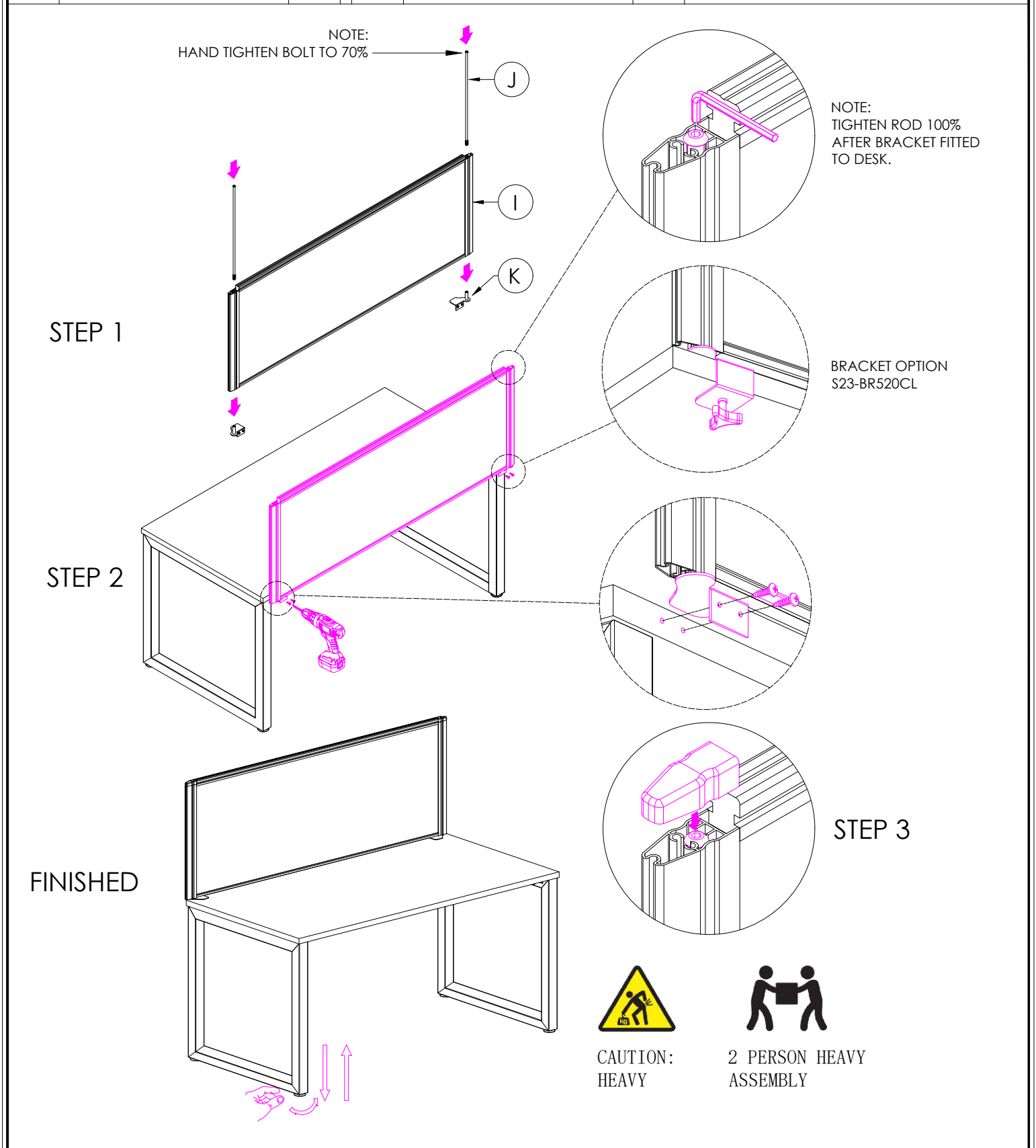
CAUTION:
HEAVY



2 PERSON HEAVY
ASSEMBLY

I	VARIOUS SIZES  S23 PARTITION x1	J	 ROD PACKED INSIDE THE PARTITION x2
		K	S23-BR520SM  BRACKETS x1

NOTE:
CAN USE
S23-BR520TM OR
S23-BR520CL BRACKETS



PRODUCT CODE: SCREEN PARTITION (S23) ASSEMBLY INSTRUCTION-PART 2	REMARKS: -	REV2
ASSEMBLED SIZE: VARIOUS SIZES	