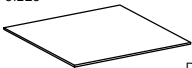
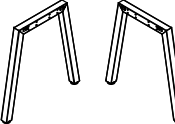
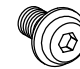
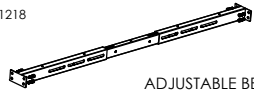

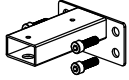
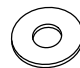

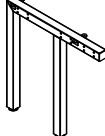
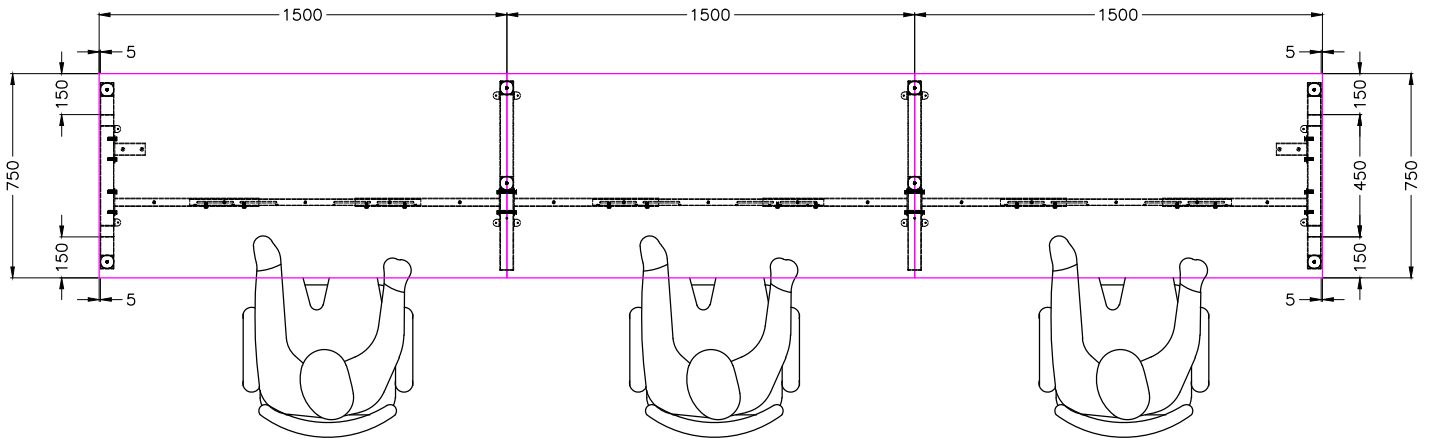
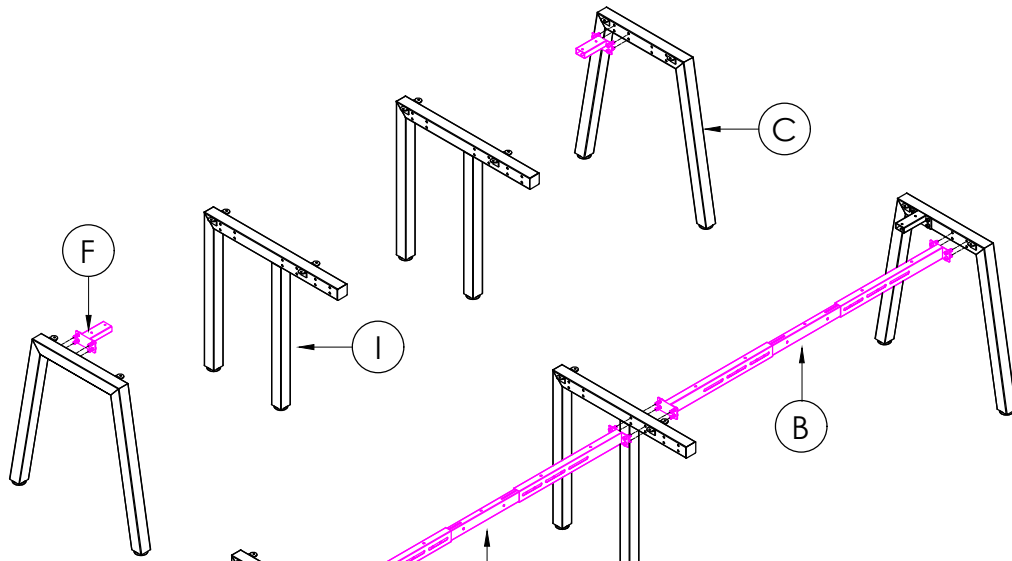


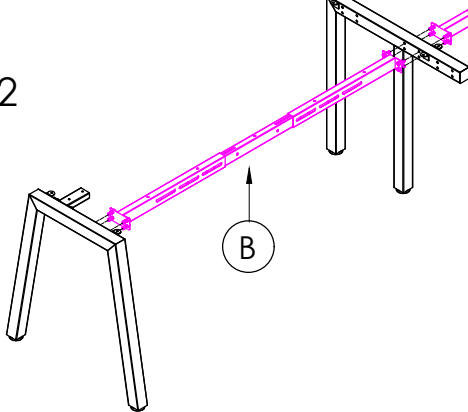
| | | | | | | | | |
|---|---|----|---|---|----|---|---|-----|
| A | VARIOUS SIZES  DESKTOP | x3 | C |  2x AN-LE75 | x1 | D | M6 x 20mm  BUTTON HEAD ALLEN BOLT | x12 |
| B | ST-AB1218  ADJUSTABLE BEAM | x3 | | | | E | 70mm  CHIPBOARD SCREW | x15 |
| F | 100mm x 50mm  BRACKET | x2 | G |  3mm SPACER | x3 | H | 25mm  CHIPBOARD SCREW | x12 |
| I |  ST-INSS | x2 | | | | | | |



STEP 1



STEP 2



CAUTION:
HEAVY



2 PERSON HEAVY
ASSEMBLY



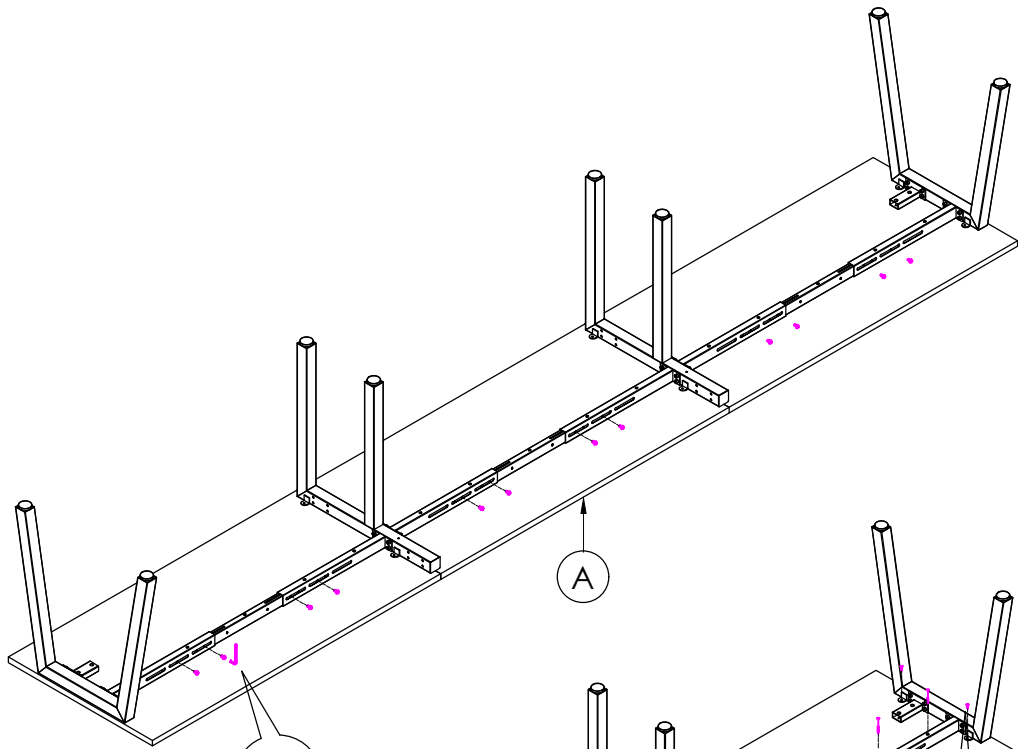
PRODUCT CODE:
AN-INS157-3
ASSEMBLY INSTRUCTION-PART1

ASSEMBLED SIZE:
4500L x 750D x 730H

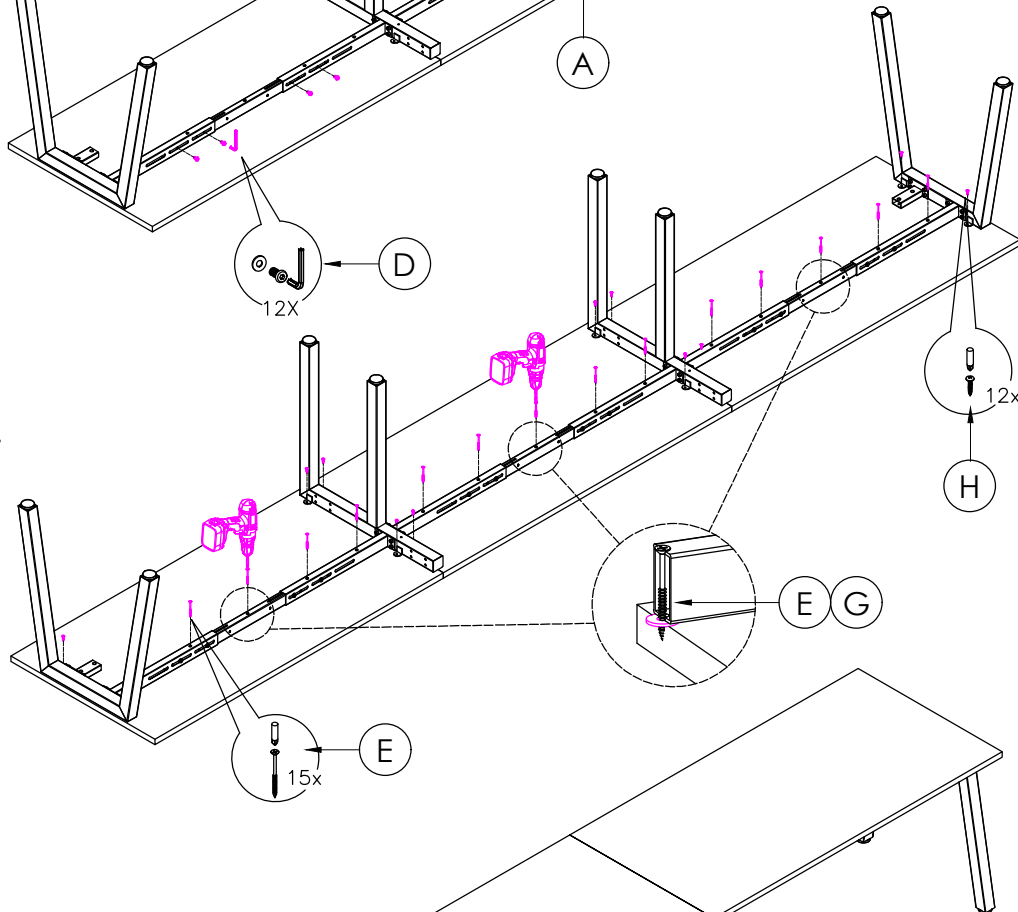
REMARKS:
AN-LE75 + ST-AB1218



STEP 3



STEP 4



FINAL

