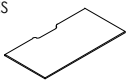
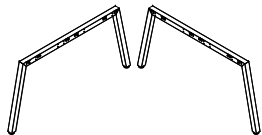

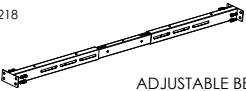

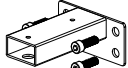
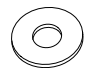

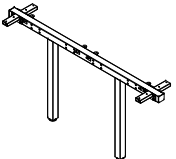
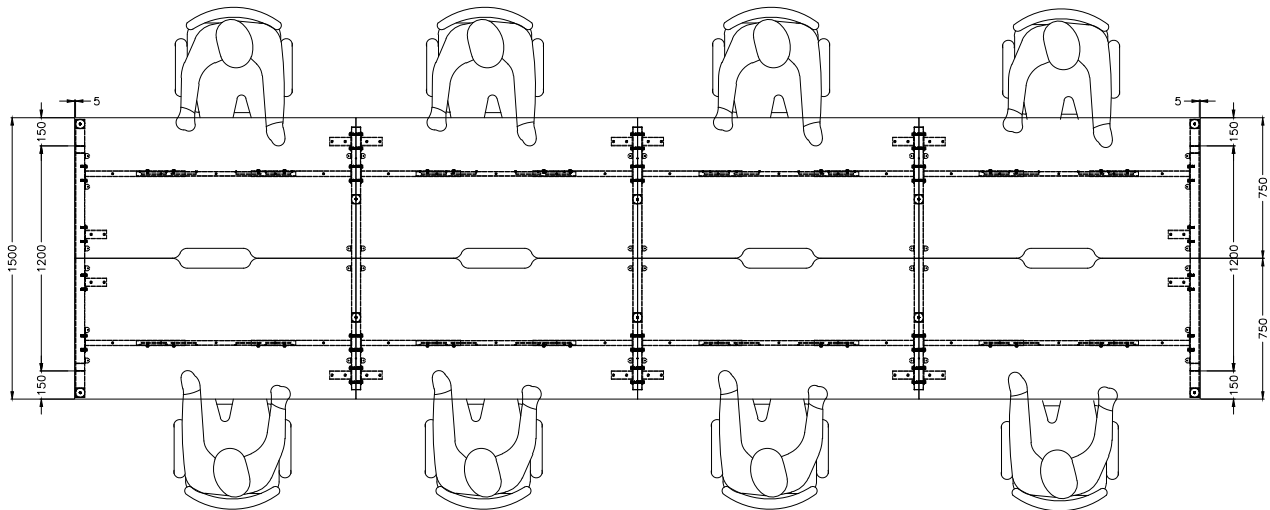
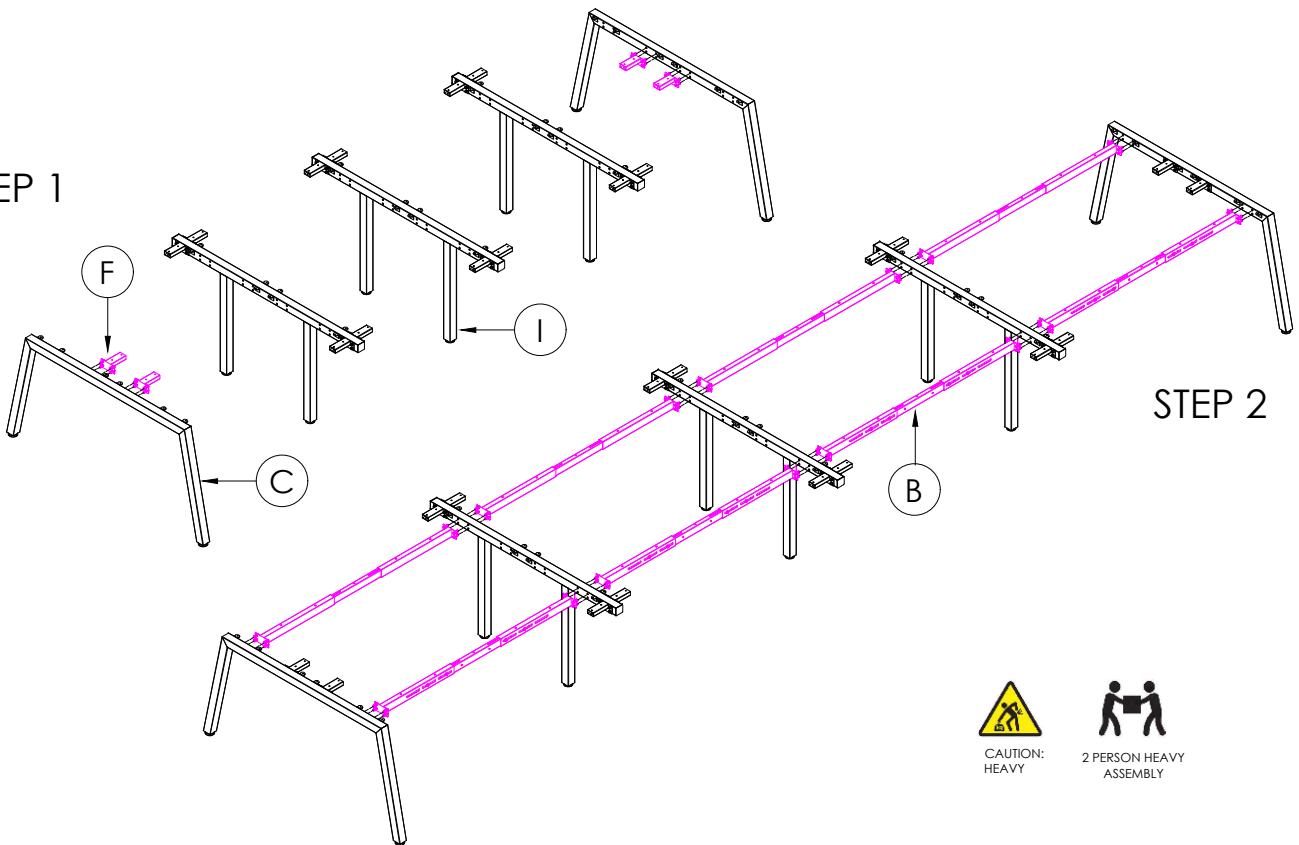


A	VARIOUS SIZES  DESKTOP	x8	C	 2x AN-LE15	x1	D	M6 x 20mm  BUTTON HEAD ALLEN BOLT	x32
B	ST-AB1218  ADJUSTABLE BEAM	x8				E	70mm  CHIPBOARD SCREW	x40
F	100mm x 50mm  BRACKET	x4	G	 3mm SPACER	x8	H	25mm  CHIPBOARD SCREW	x36
I	 ST-INDS	x3						



STEP 1



STEP 2



CAUTION:
HEAVY



2 PERSON HEAVY
ASSEMBLY

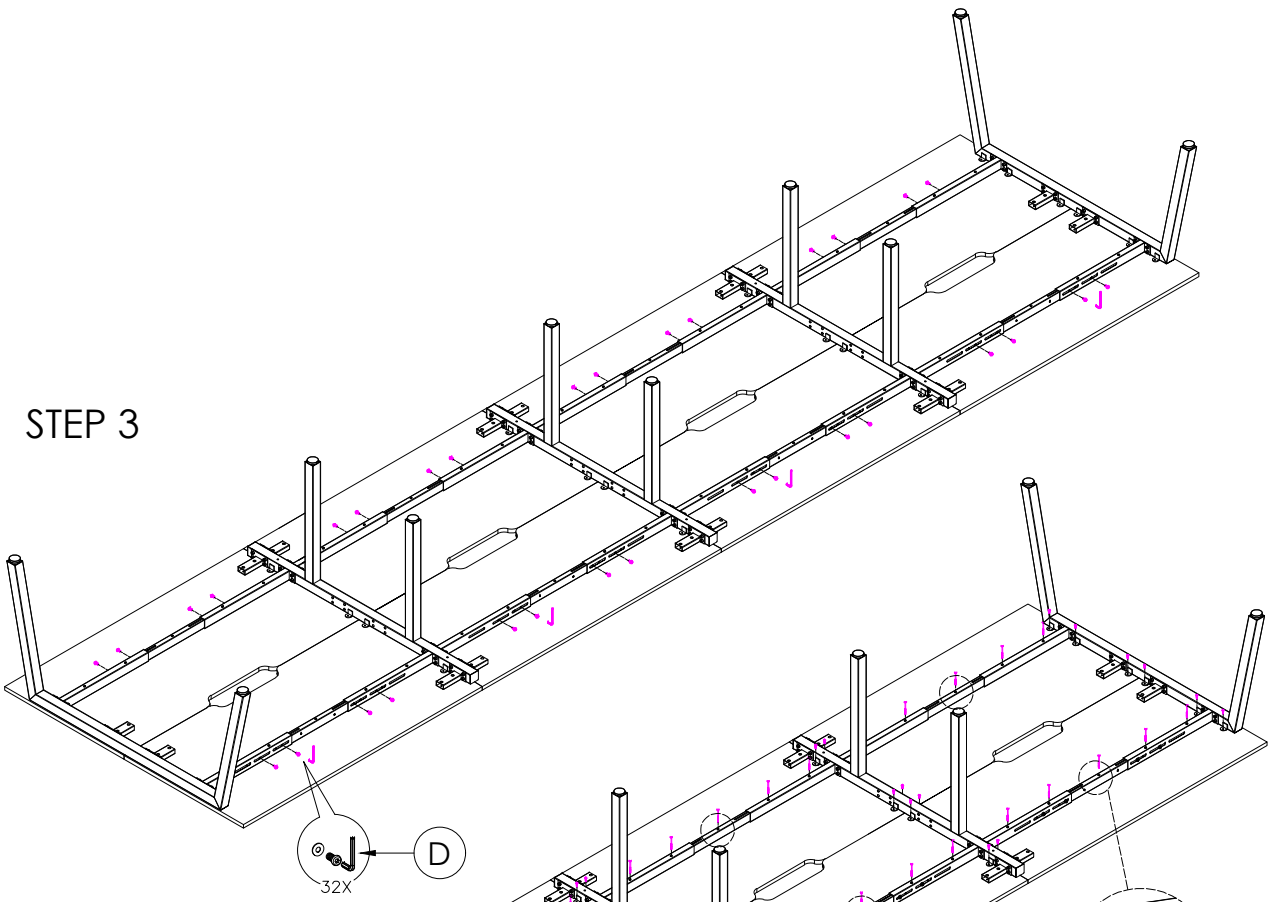


PRODUCT CODE:
AN-IND157-8
ASSEMBLY INSTRUCTION-PART1

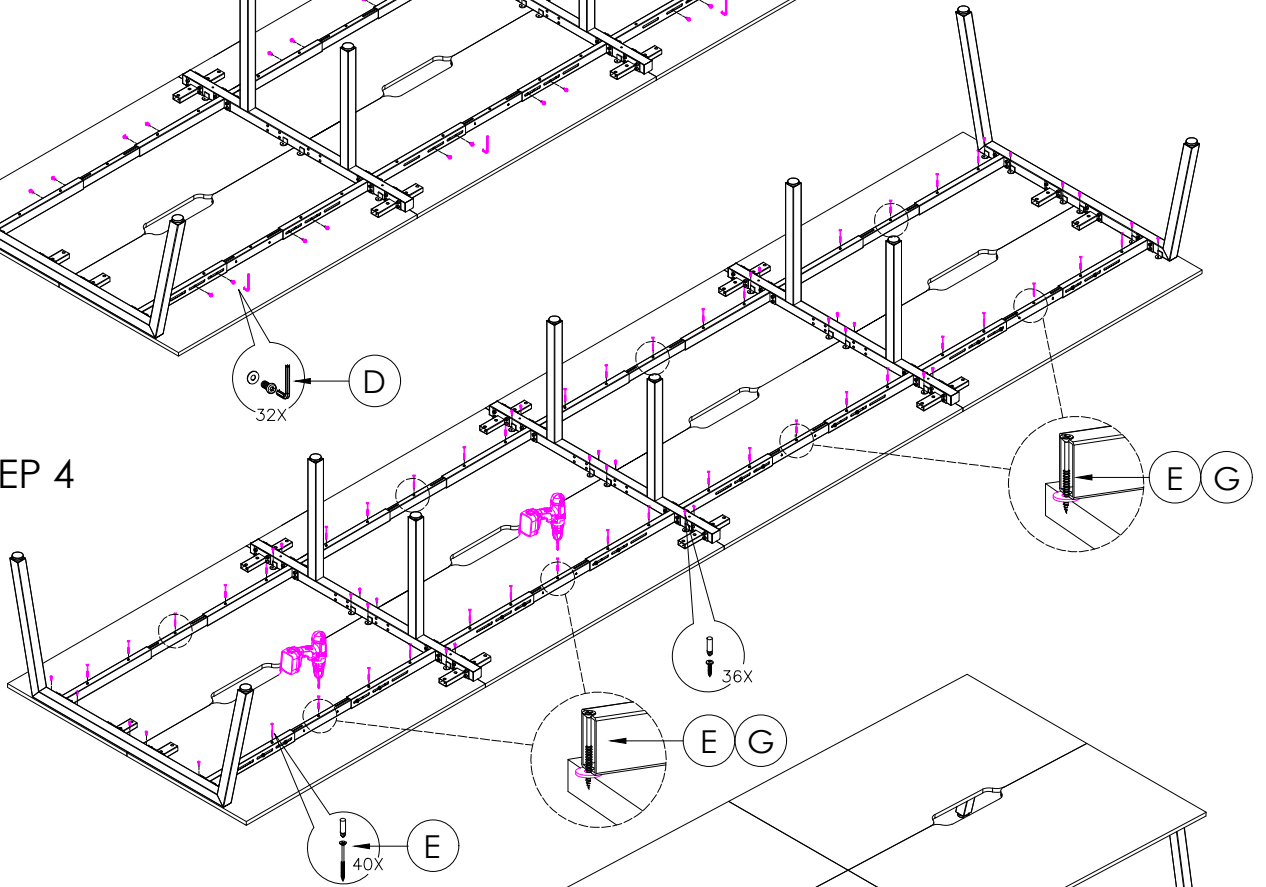
ASSEMBLED SIZE:
6000L x 1500D x 730H

REMARKS:
AN-LE15 + ST-AB1218

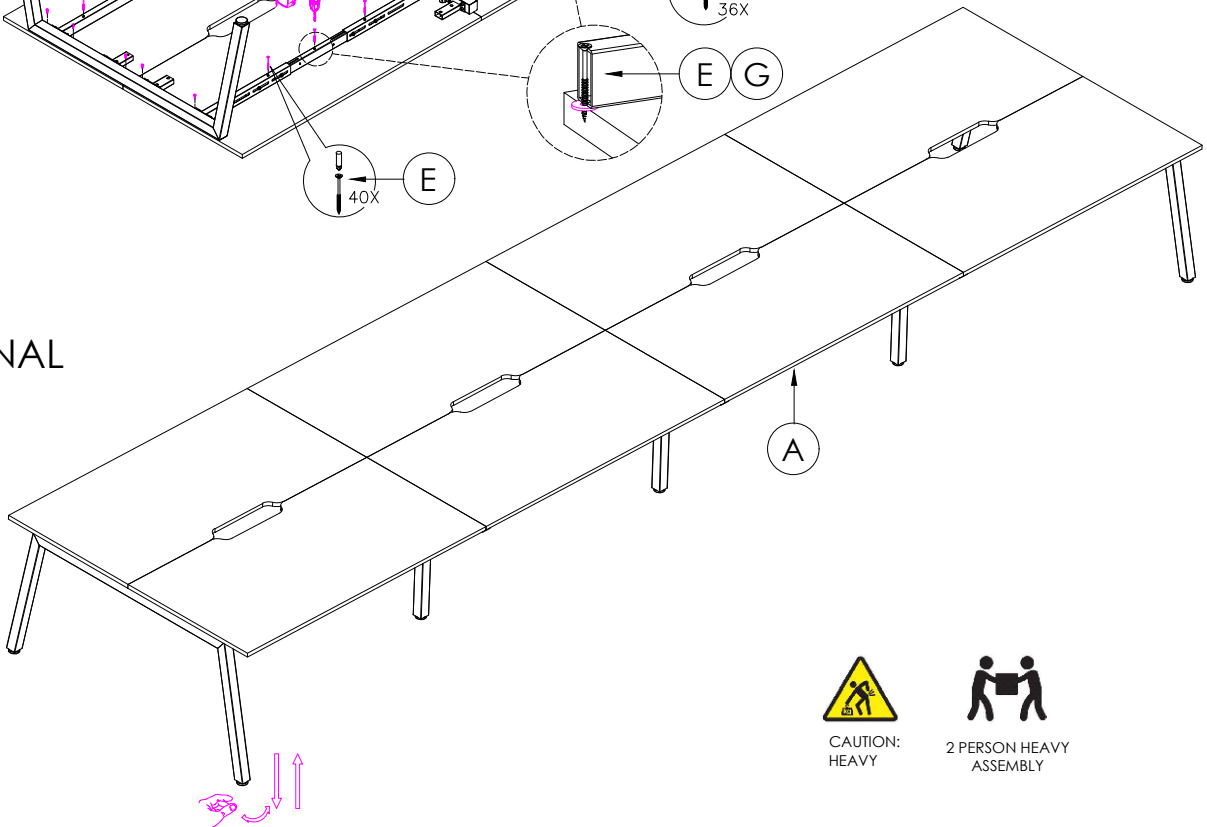
STEP 3



STEP 4



FINAL



CAUTION:
HEAVY



2 PERSON HEAVY
ASSEMBLY



PRODUCT CODE:
AN-IND157-8
ASSEMBLY INSTRUCTION-PART2

ASSEMBLED SIZE:
6000L x 1500D x 730H

REMARKS:
AN-LE15 + ST-AB1218

