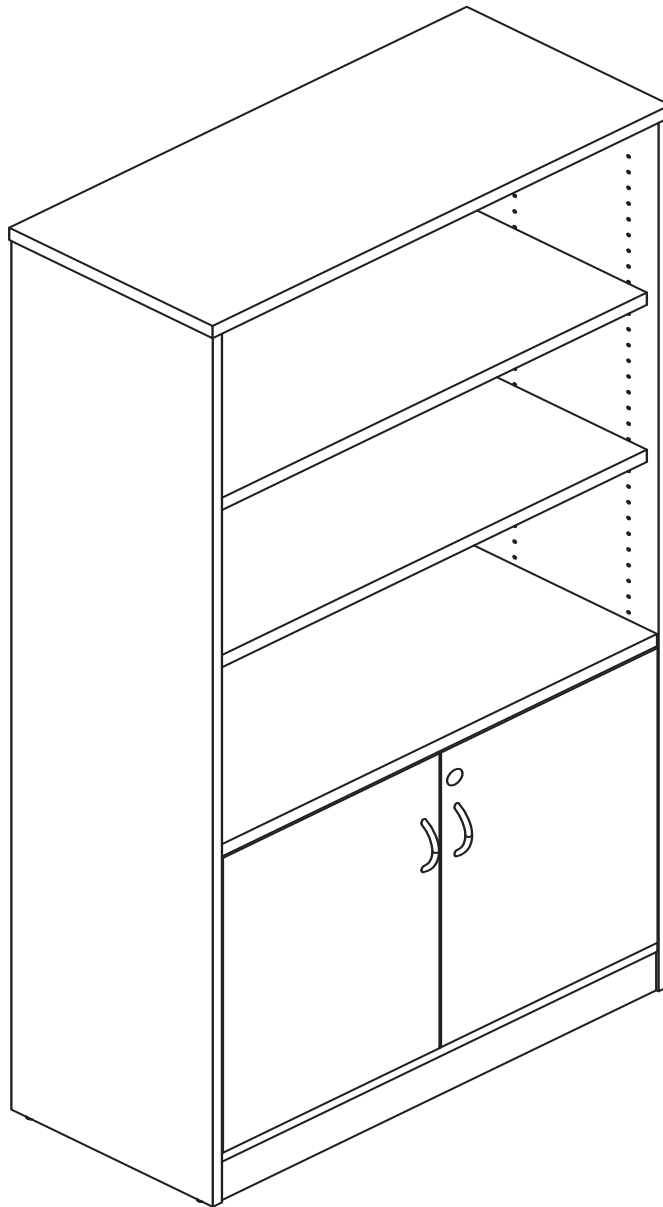
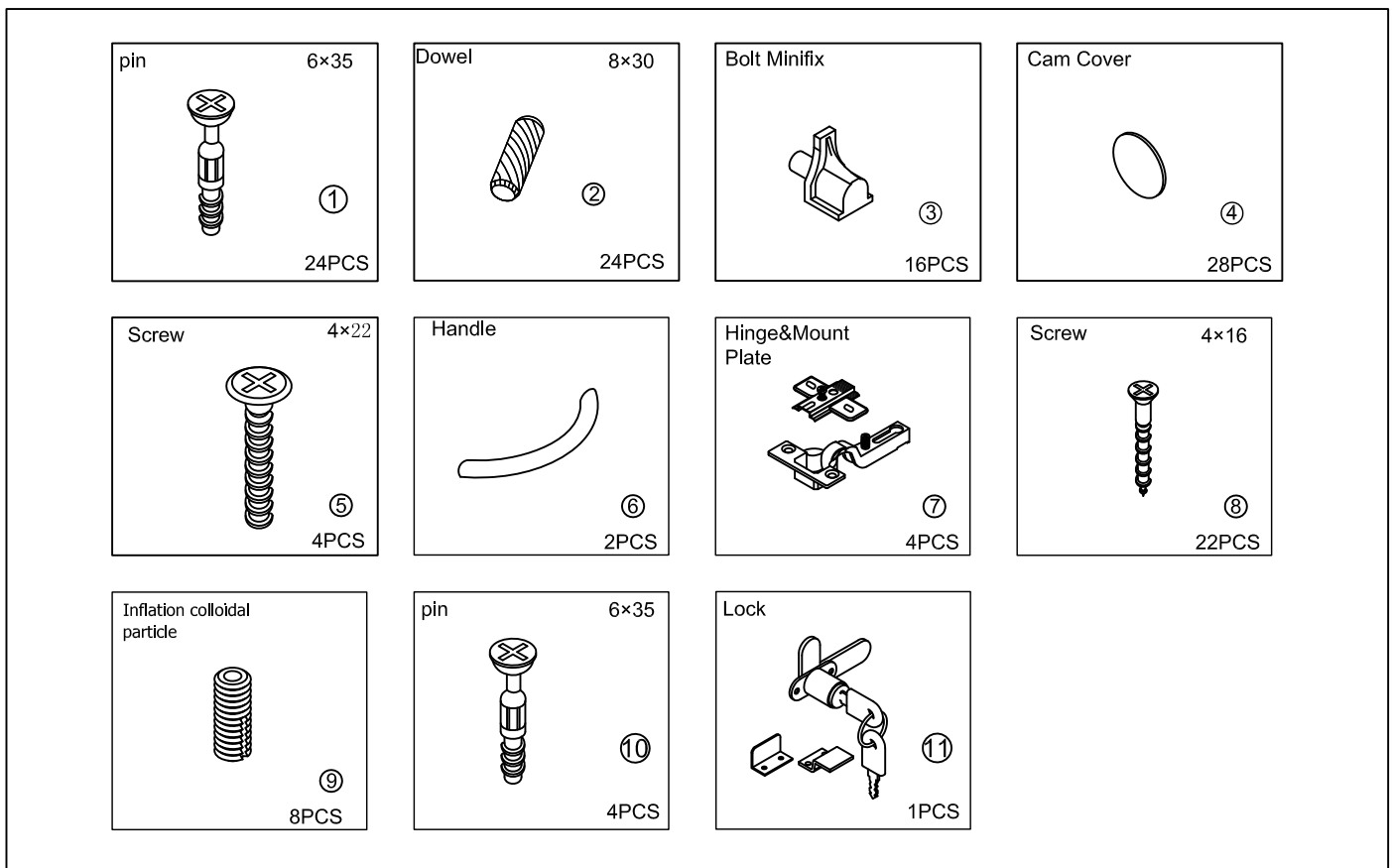
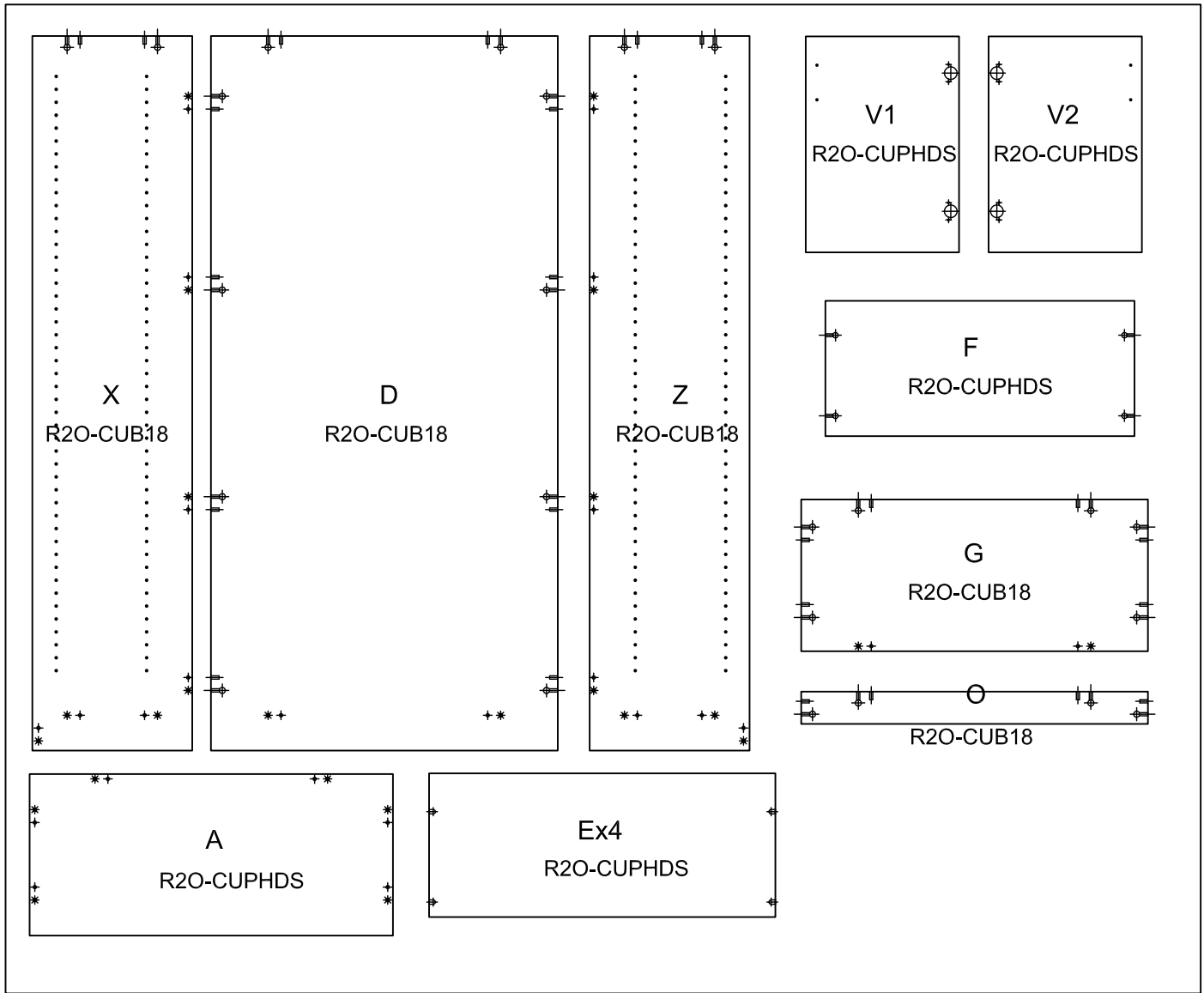


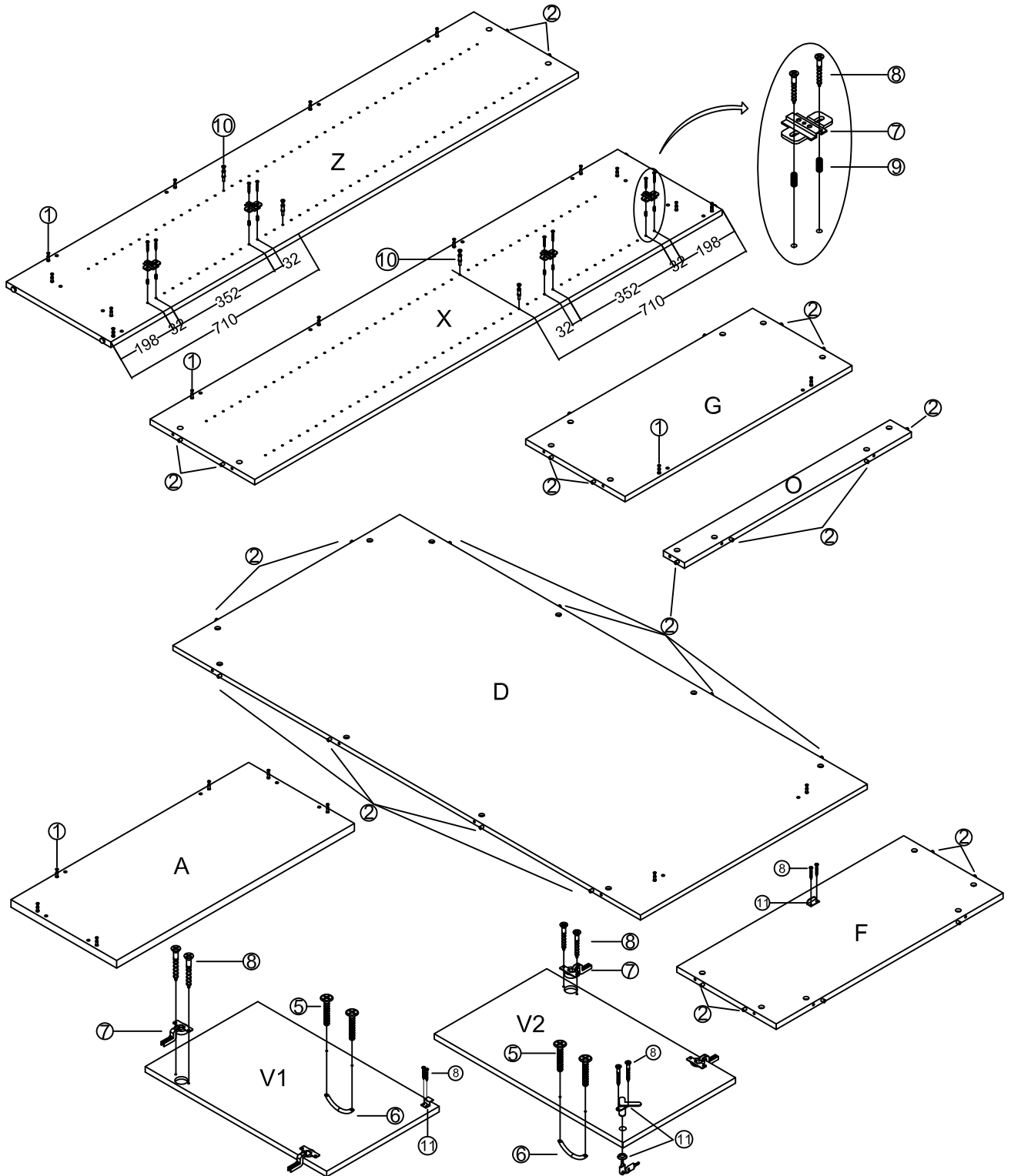
Half Door Cupboard

R20-CUH





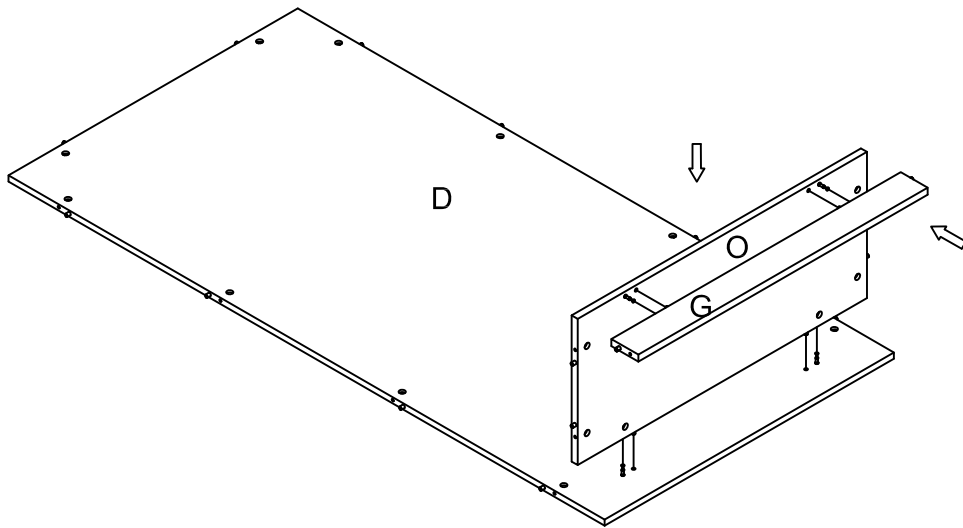
1



Preparation for Top panel A, Bottom panel G, back panels D, Batten O, left side panel X, right side panel Z, Door panel V1 and V2 .

- 1、 Insert cam bolts ① and dowel pins ② into panels A,D,G,X,Z and O as illustrated above.
- 2、 Insert ⑨ into panels X,Z as illustrated above.
- 3、 Fix hinge stands ⑦ to panels X,Z with screws ⑧ as illustrated above.
- 4、 Fix hinge bodies ⑦ to panels V1 and V2 with screws ⑧ as illustrated above.
- 5、 Fix handles ⑥ to panels V1 and V2 with fix bolts ⑤ as illustrated above.
- 6、 Fix lock ⑪ to panel V2 with screws ⑧ as illustrated above.
- 7、 Fix lock catch ⑪ to panel V1 with screw ⑧ as illustrated above .
- 8、 Fix lock catch ⑪ to panel A with screws ⑧ as illustrated above.

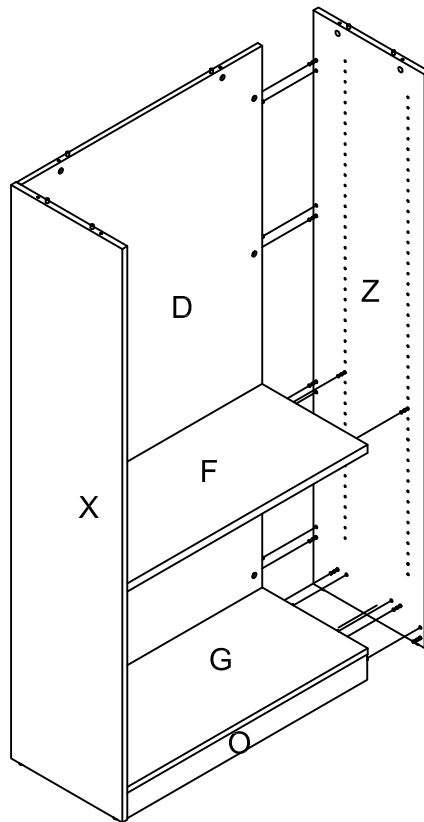
2



Back panel D ,Bottom panel G , Batten O assembly.

- 1、 Insert cam bolts ① on Immovable panel G into cams on panel O and tighten in a clockwise direction as illustrated above.
- 2、 Insert cam bolts ① on Immovable panel G into cams on panel D and tighten in a clockwise direction as illustrated above.

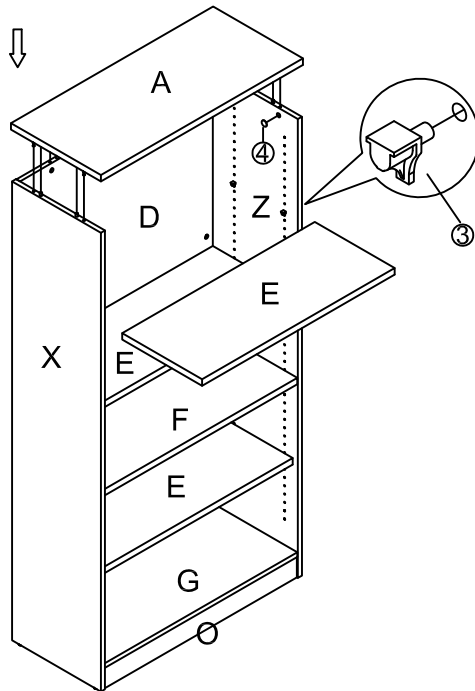
3



Left side panel X,Right side panel Z assembly.

- 1.Insert cam bolts ① on panel X and Z into cams on panels D,G,O,F and tighten in a clockwise direction as illustrated above.

4



Top panel A, Moveable shelf E assembly.

- 1、 Insert cam bolts ① on panel A into cams on panels D,X,Z and tighten in a clockwise direction as illustrated above.
- 2、 Cover the cam covers ④ on the top of cams.
- 3、 Insert threaded dowel pins ③ into panels ,X and Z as illustrated above.
- 4、 Put the panels E on the top of threaded dowel pins ③ as illustrated above.

5

