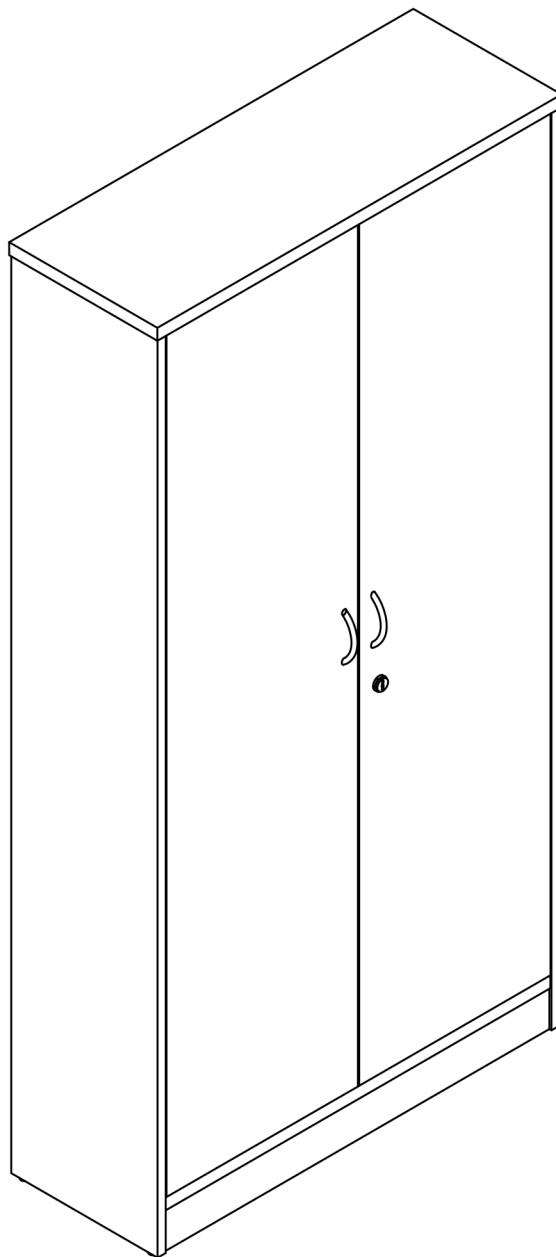
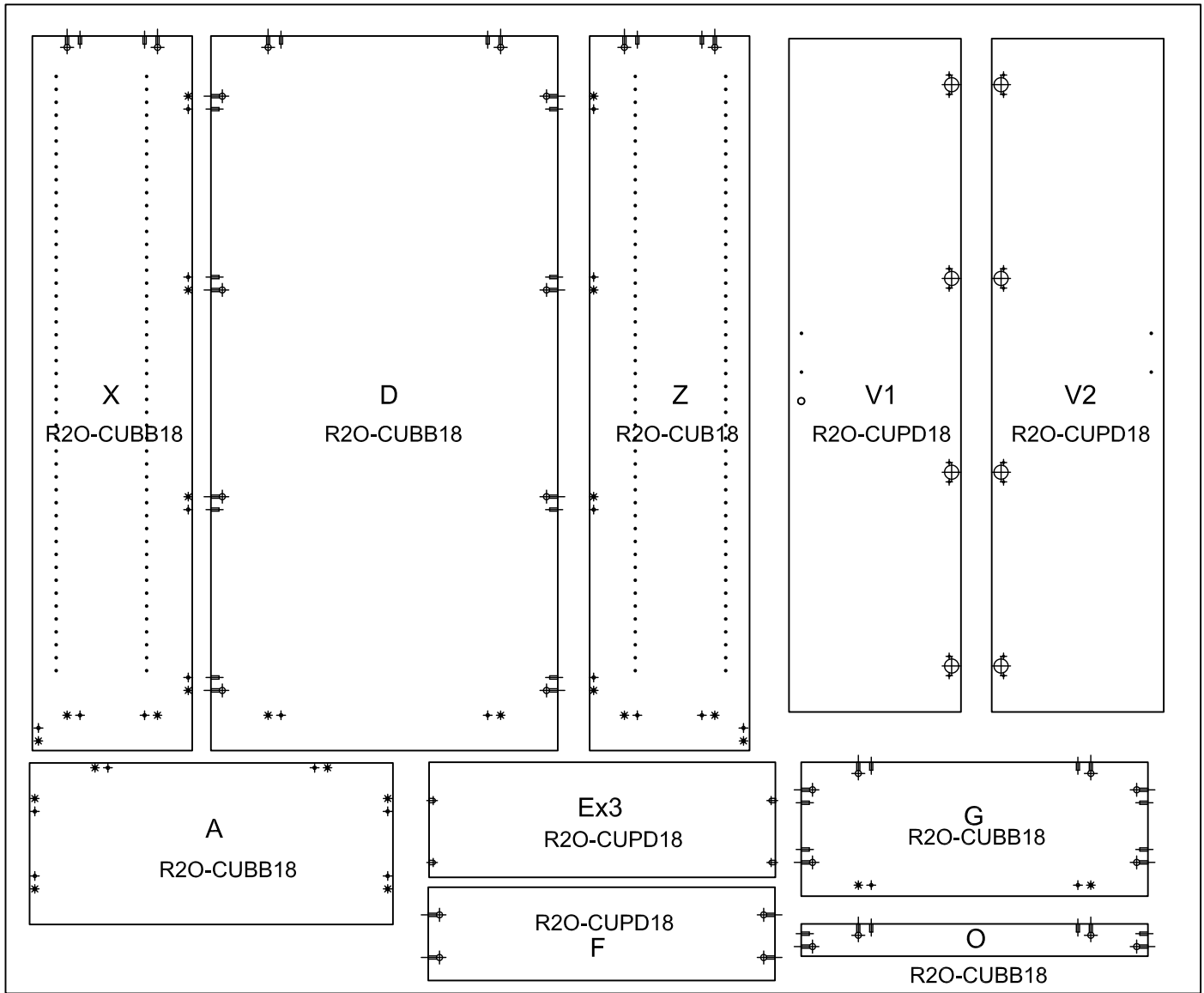


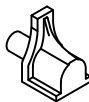



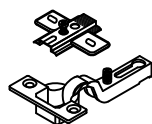


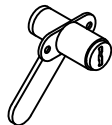
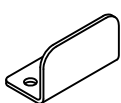
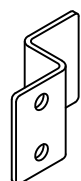


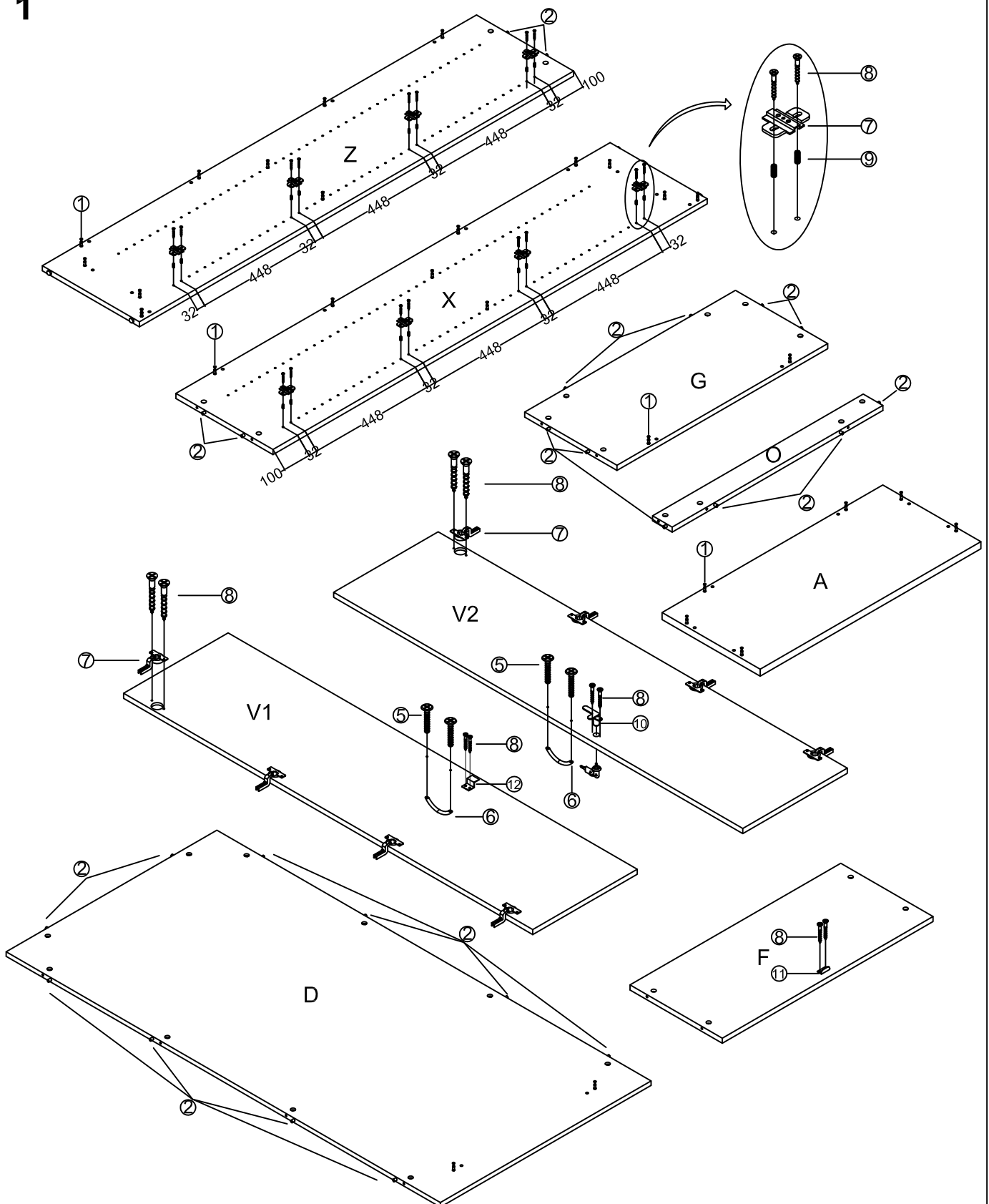


**ASSEMBLY INSTRUCTIONS
R20-CUF18**





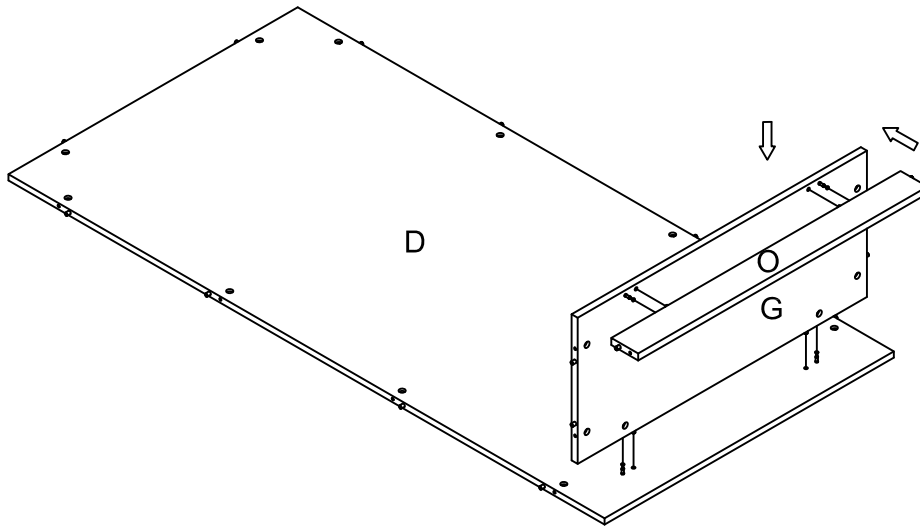
<p>pin 6×35</p>  <p>①</p> <p>26PCS</p>	<p>Dowel 8×30</p>  <p>②</p> <p>24PCS</p>	<p>Bolt Minifix</p>  <p>③</p> <p>12PCS</p>	<p>Cam Cover</p>  <p>④</p> <p>26PCS</p>
<p>Screw 4×22</p>  <p>⑤</p> <p>4PCS</p>	<p>Handle</p>  <p>⑥</p> <p>2PCS</p>	<p>Hinge&Mount Plate</p>  <p>⑦</p> <p>8PCS</p>	<p>Screw 4×16</p>  <p>⑧</p> <p>38PCS</p>
<p>Inflation colloidal particle</p>  <p>⑨</p> <p>16PCS</p>	<p>Lock</p>  <p>⑩</p> <p>1PCS</p>	<p>Lock plate</p>  <p>⑪</p> <p>1PCS</p>	<p>Lock plate</p>  <p>⑫</p> <p>1PCS</p>

1

**Preparation for Top panel A, Bottom panel G, back panels D, Batten O .
left side panel X, right side panel Z, Door panel V1 and V2 .**

- 1、 Insert cams bolts ① and dowel pins ② into panels A, D, G, X, Z and O as illustrated above.
- 2、 Insert ⑨ into panels X, Z as illustrated above.
- 3、 Fix hinge stands ⑦ to panels X, Z with screws ⑧ as illustrated above.
- 4、 Fix hinge bodies ⑦ to panels V1 and V2 with screws ⑧ as illustrated above.
- 5、 Fix handles ⑥ to panels V1 and V2 with fix bolts ⑤ as illustrated above.

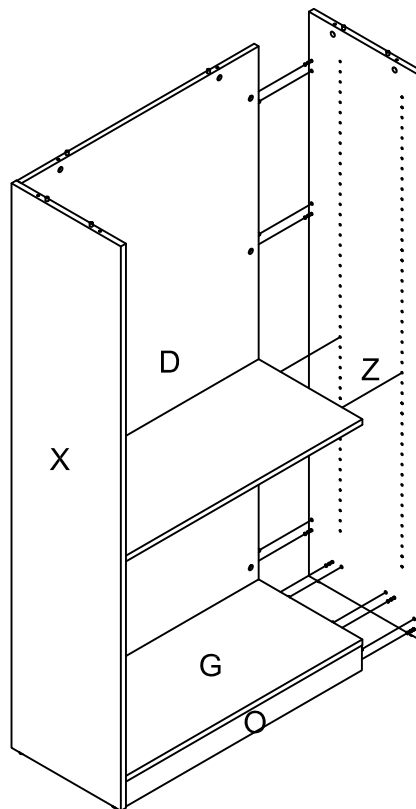
2



Back panel D ,Bottom panel G, Batten O assembly.

- 1、 Insert cam bolts ① on Immovable panel G into cams on panel O and tighten in a clockwise direction as illustrated above.
- 2、 Insert cam bolts ① on Immovable panel G into cams on panel D and tighten in a clockwise direction as illustrated above.

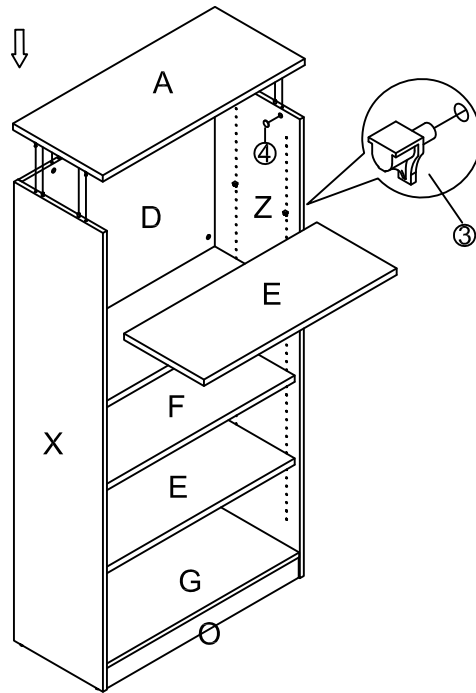
3



Left side panel X,Right side panel Z,Panel F assembly.

- 1.Insert cam bolts ① on panel X and Z into cams on panels D,G,O and F and tighten in a clockwise direction as illustrated above.

4



Top panel A assembly.

1. Insert cam bolts (1) on panel A into cams on panels D,X,Z and tighten in a clockwise direction as illustrated above.
2. Cover the cam covers (4) on the top of cams.
3. Insert threaded dowel pins (3) into panels ,X and Z as illustrated above.
4. Put the panels E on the top of threaded dowel pins (3) as illustrated above.

5

