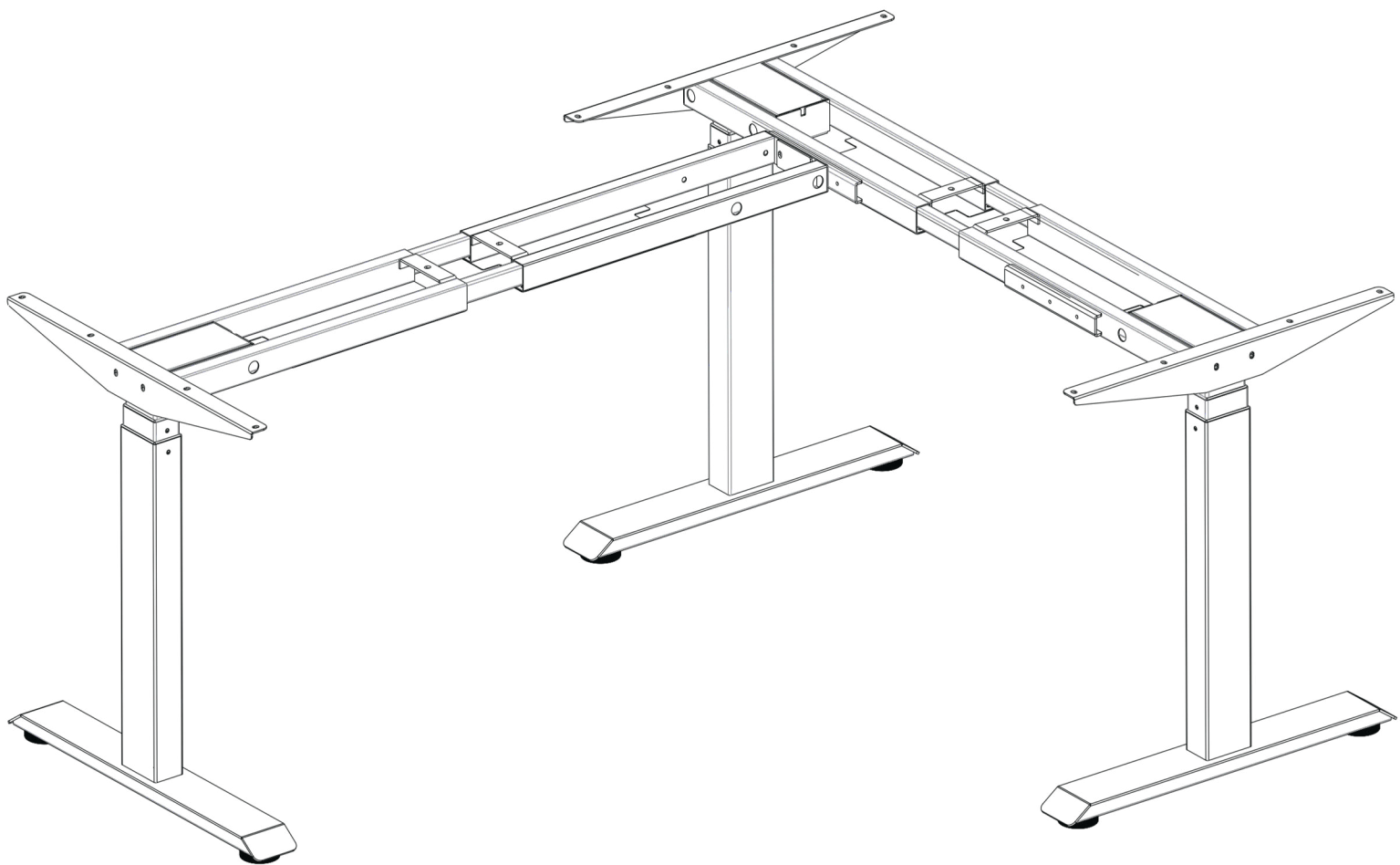
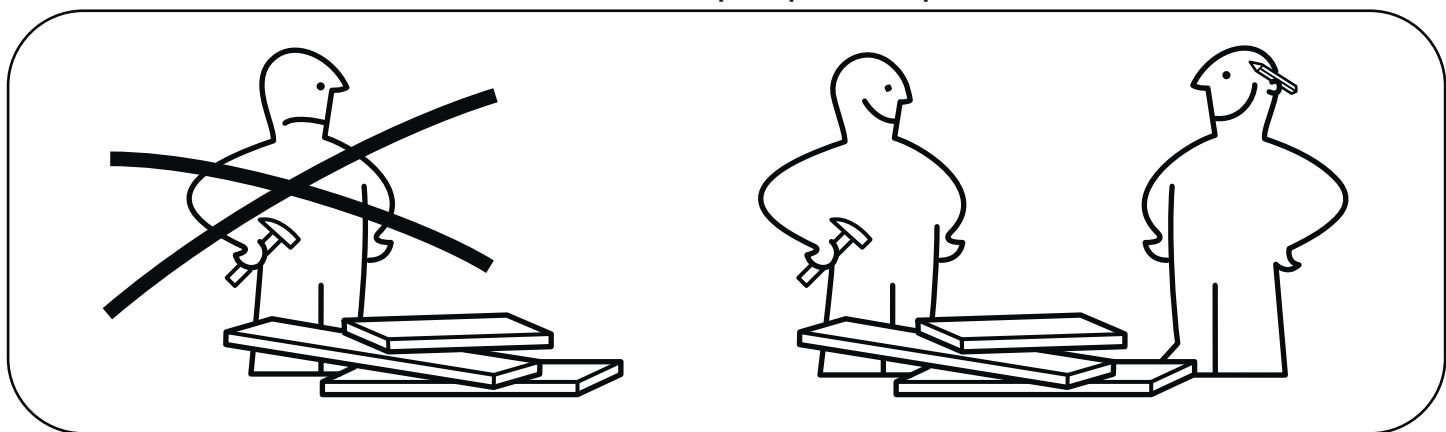


**ERGO RISE II** TRIPLE ELECTRIC DESK

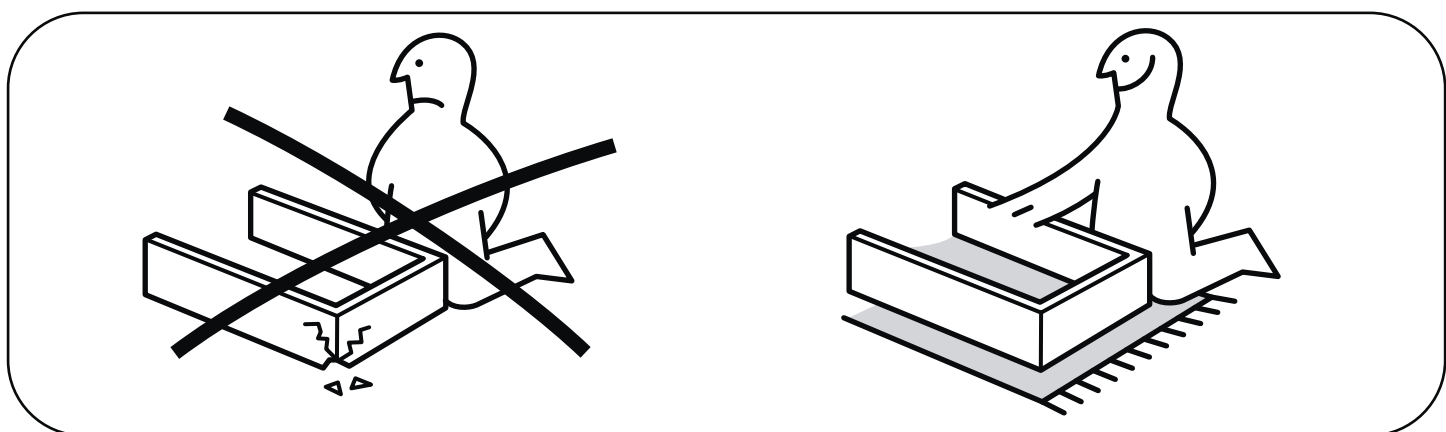
**INSTRUCTION MANUAL**



It is recommended that at least two people cooperate to install.



Recommended installation on a clean flat floor.

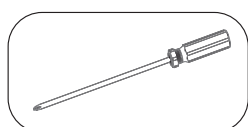
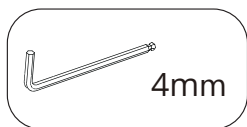


It is recommended to check all parts before installation.

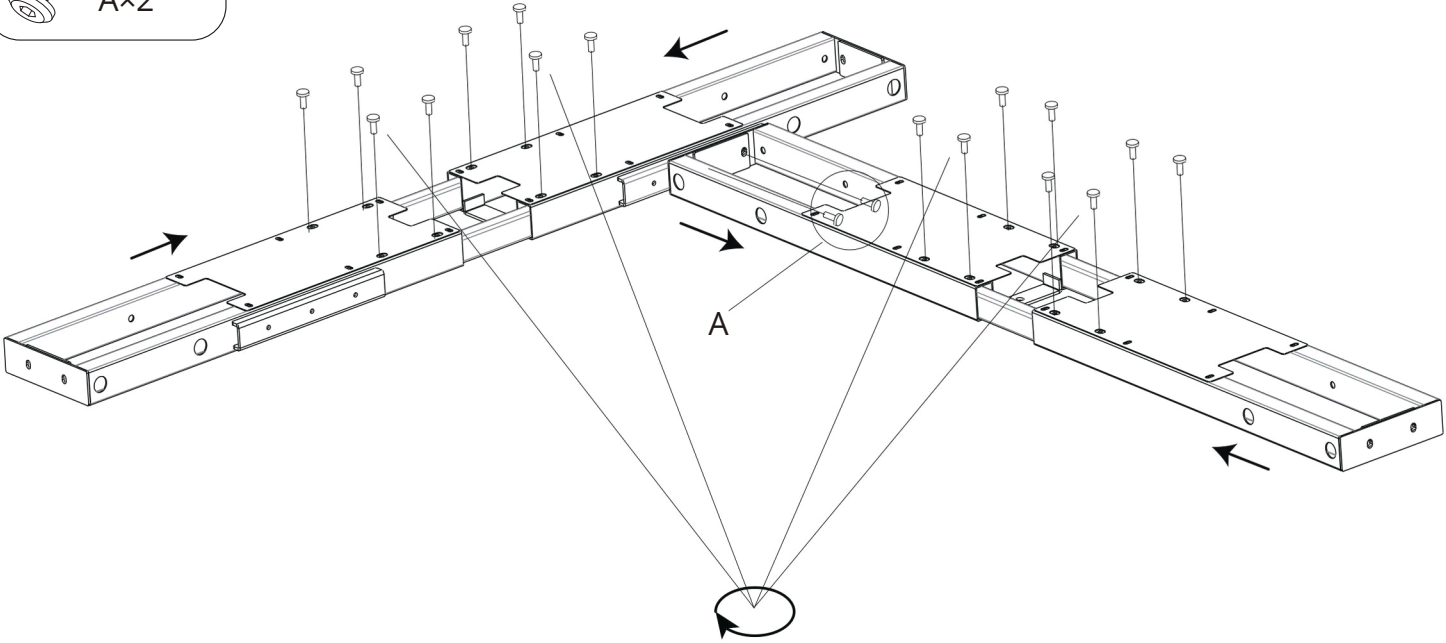
Make sure that the parts correspond to the instructions.

If you have any problems, please contact us in time.

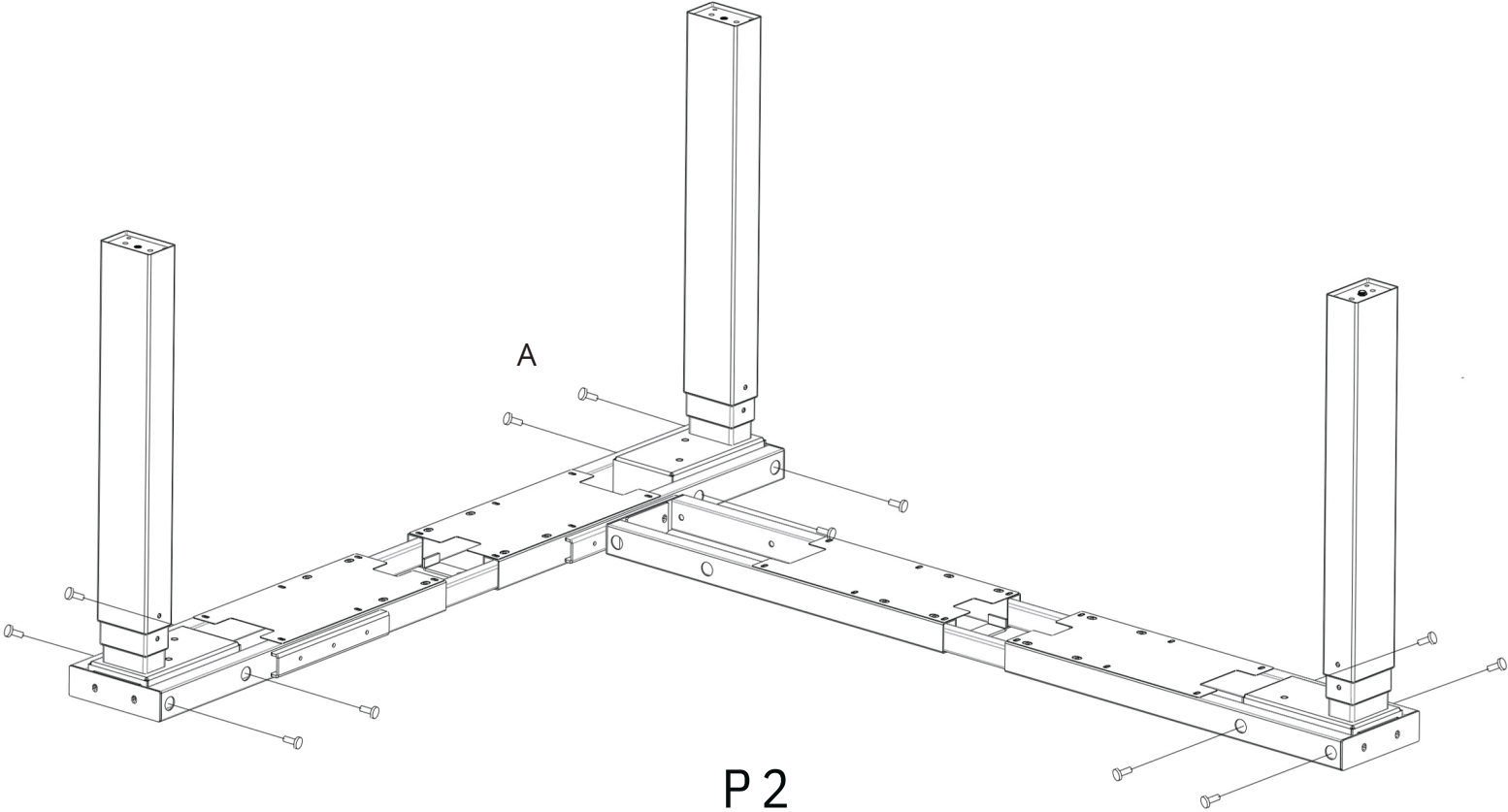
Enjoy your shopping.



1. Loosen the screws on the crossbeam, insert the telescopic beam, adjust the spacing, tighten the screws, and then assemble the two crossbeams together



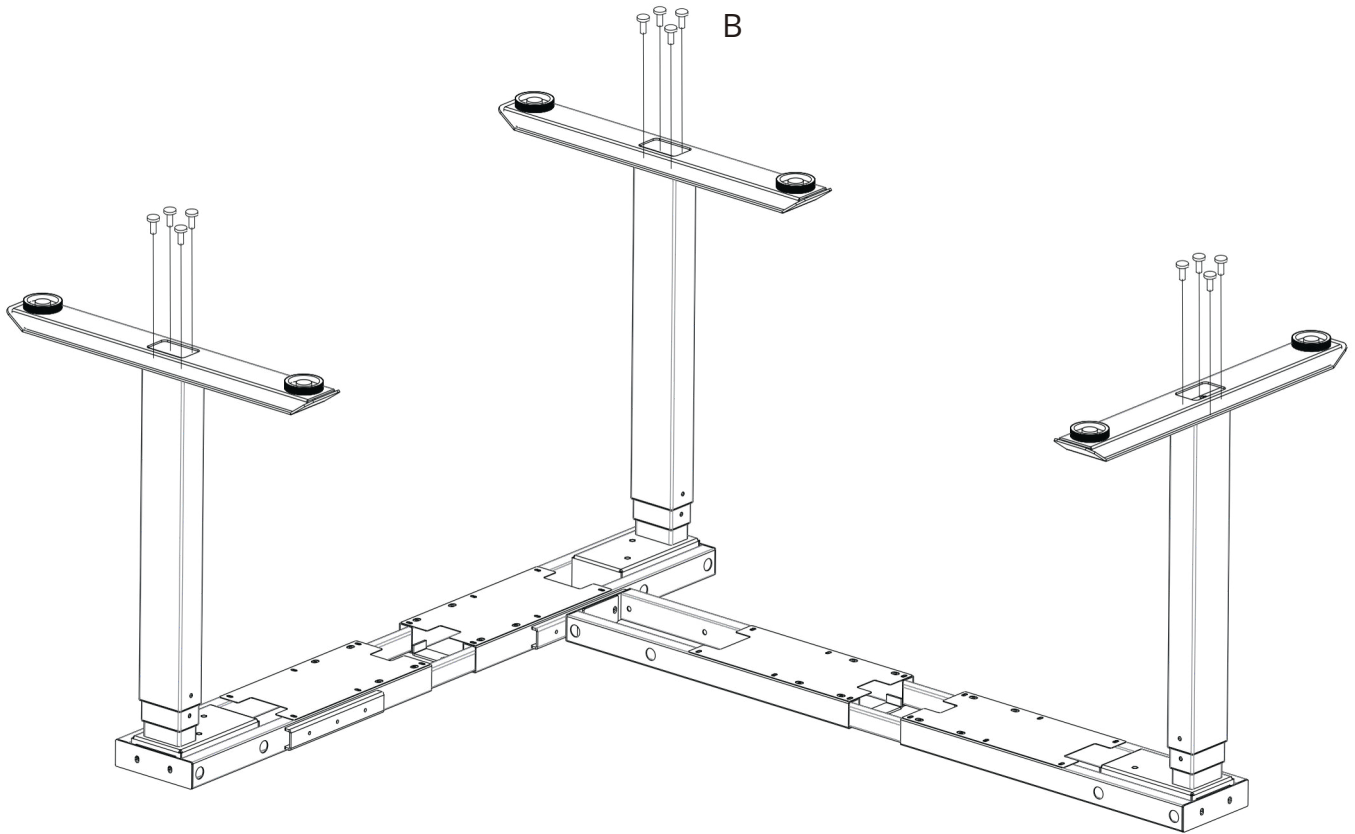
2. Installing pillars





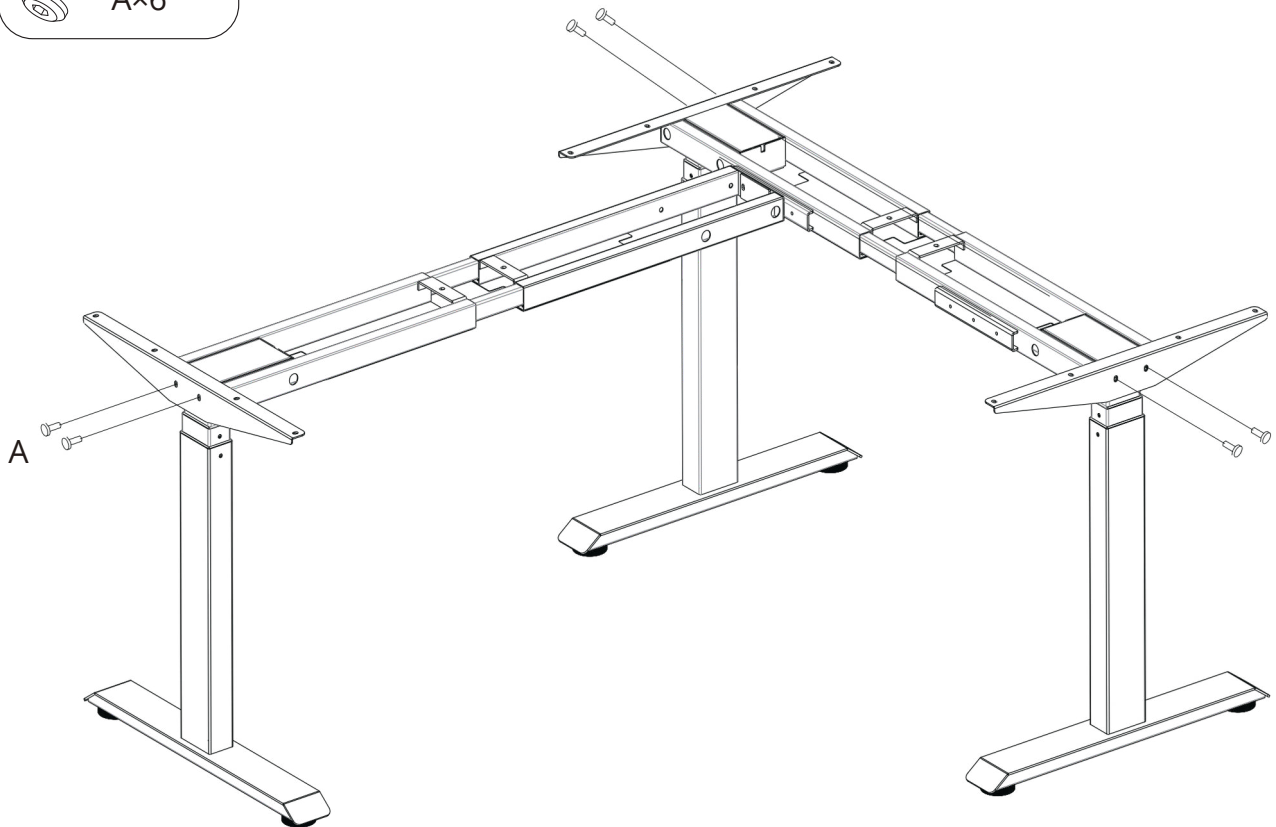
M6x16  
Bx12

### 3. Installing foot panels



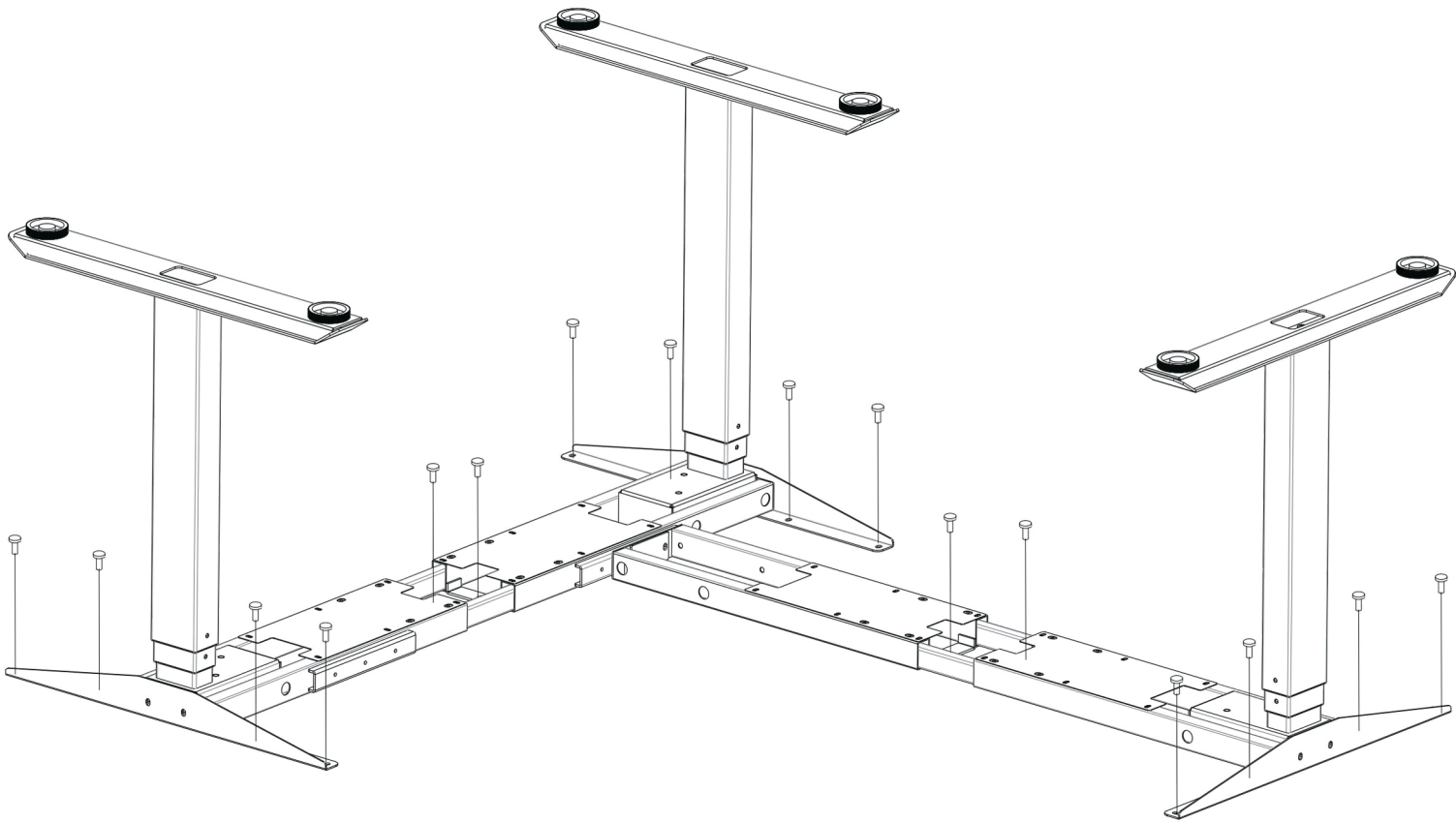
M6x12  
Ax6

### 4. Install L board

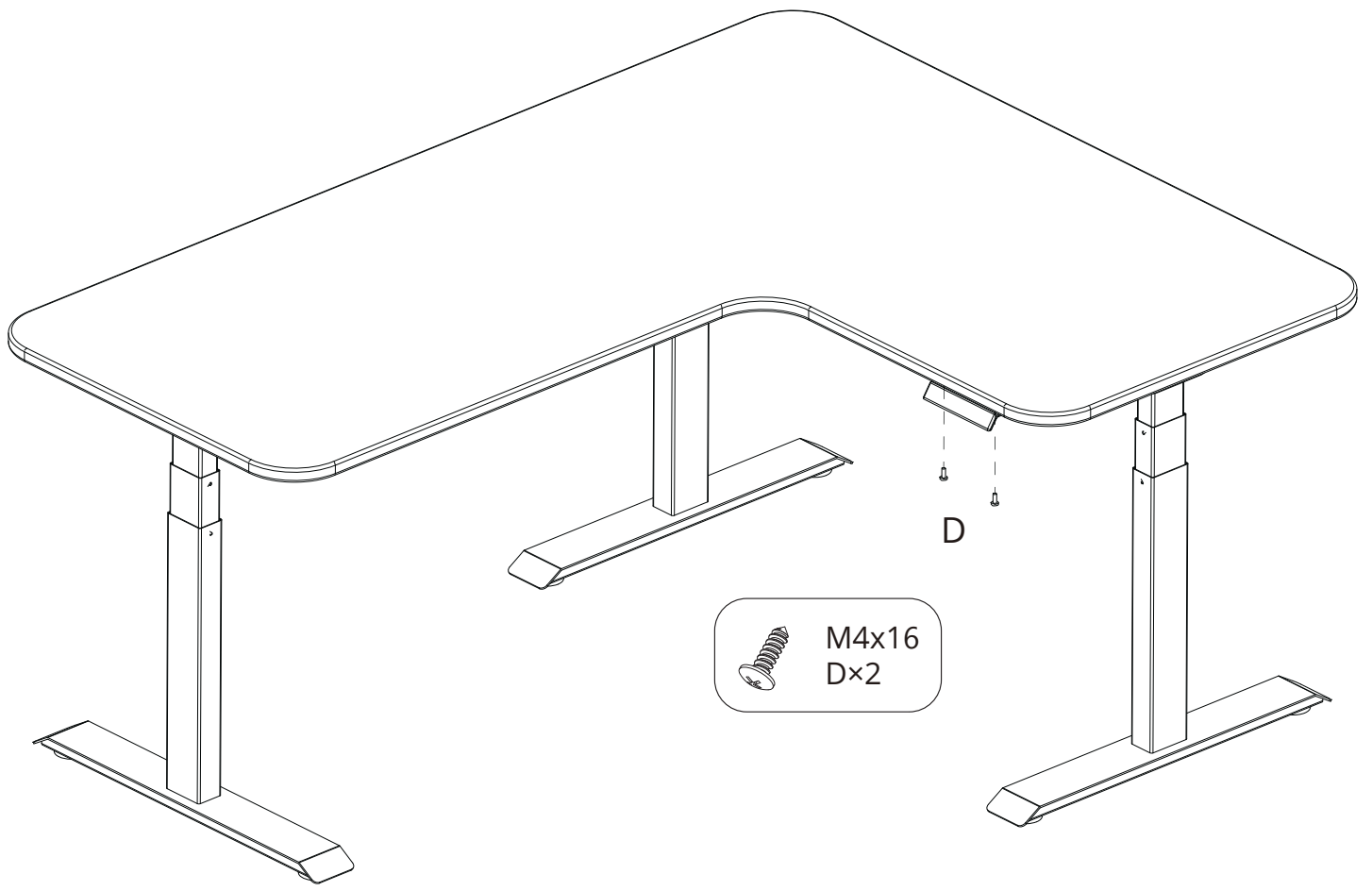


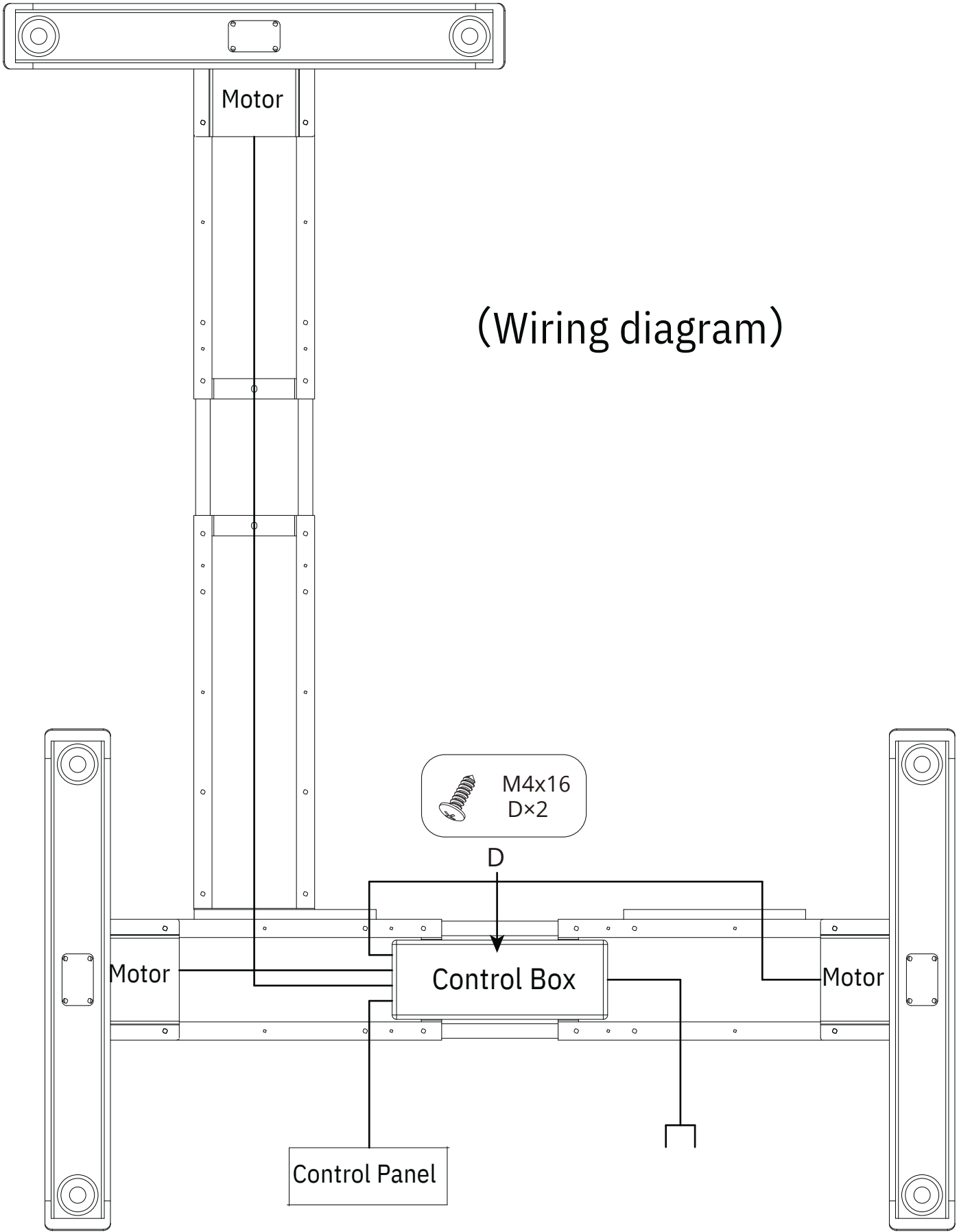


### 5.Install desktop

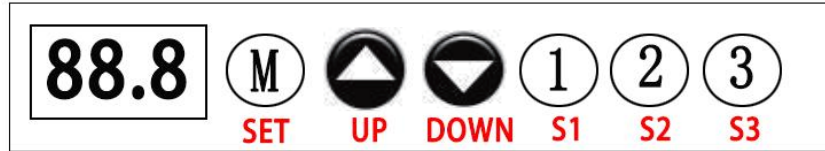


### 7.Install the control panel in a suitable position on the back of the desktop





# USER GUIDE:



Function	Instructions for use of control panel
<b>Initialisation</b>	<p>If the manual controller displays "RST", initialise and press and hold "down". Press the key until the motor stops, release the key, Initialization and then press "down" 5S to enter the initialization mode.</p> <p>At this time, the "down" key cannot be released. After the initialization is completed, the buzzer will give a prompt sound, indicating that the initialization is successful.</p>
<b>Height Limited</b>	Press and hold the "up" + "down" button for 5 seconds at the same time, a buzzer will be heard, the limited position is successfully stored.
<b>Cancel Limited</b>	Let the desktop run to the limit high or low point. At this time, press and hold the "up" + "down" button for 5 seconds to hear the buzzer sound, indicating that the limit position is cancelled successfully
<b>Desktop Up</b>	Press and hold "up" and the desktop rises until it reaches the highest point of the desktop.
<b>Desktop Down</b>	Press and hold "down" and the desktop will drop until it reaches the lowest point of the desktop.
<b>Memory (1-4).</b>	When running to a specific point, press the "set" button at this time, the nixie tube displays "s -" and "⬇️" flashes at the same time. At this time, press the "S1-S4" button to store this position
<b>Use Memory</b>	When "S1-S4" successfully stores the memory position, press and hold "S1-S4" , the desktop will rise and fall to the memory position.
<b>Locking</b>	Press and hold "set" + "up" for 5 seconds at the same time. "LOC" is displayed, it means that the system has been locked and cannot be lifted.
<b>Unlock</b>	Press and hold "set" + "down" for 5 seconds at the same time. displays from "LOC" to normal digital display, System has been unlocked.
<b>Factory Reset</b>	At this time, press and hold "up + down" for 10 seconds at the same time, and hear a long buzzer prompt. At this time, the parameters return to the factory state and forced initialisation.