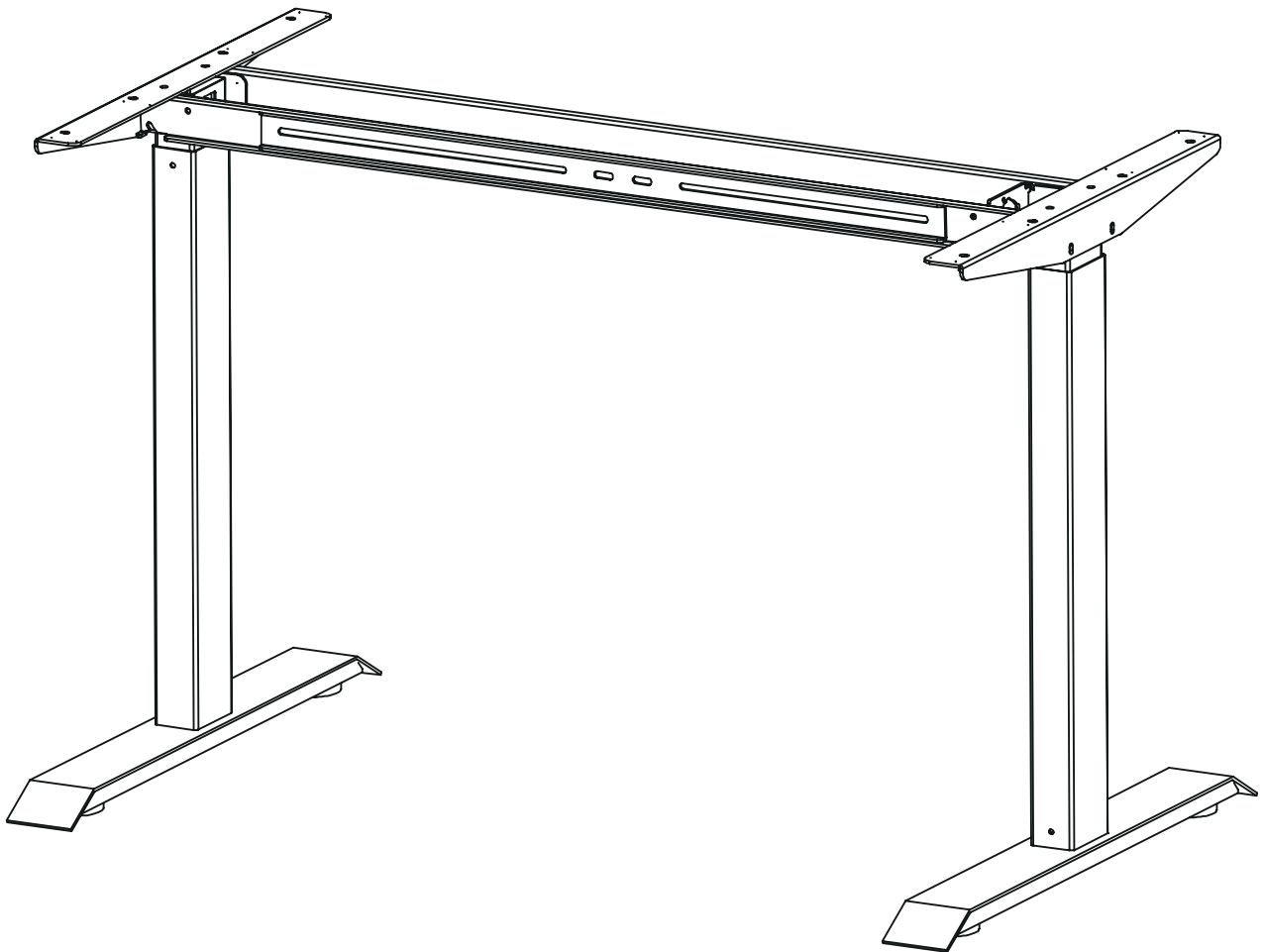
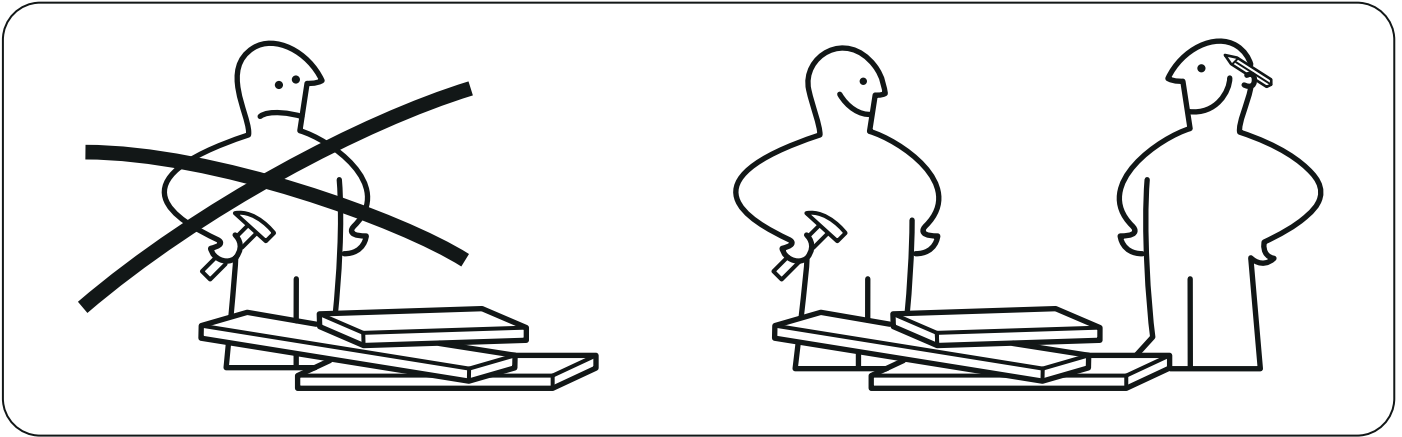


# ASSEMBLY INSTRUCTIONS

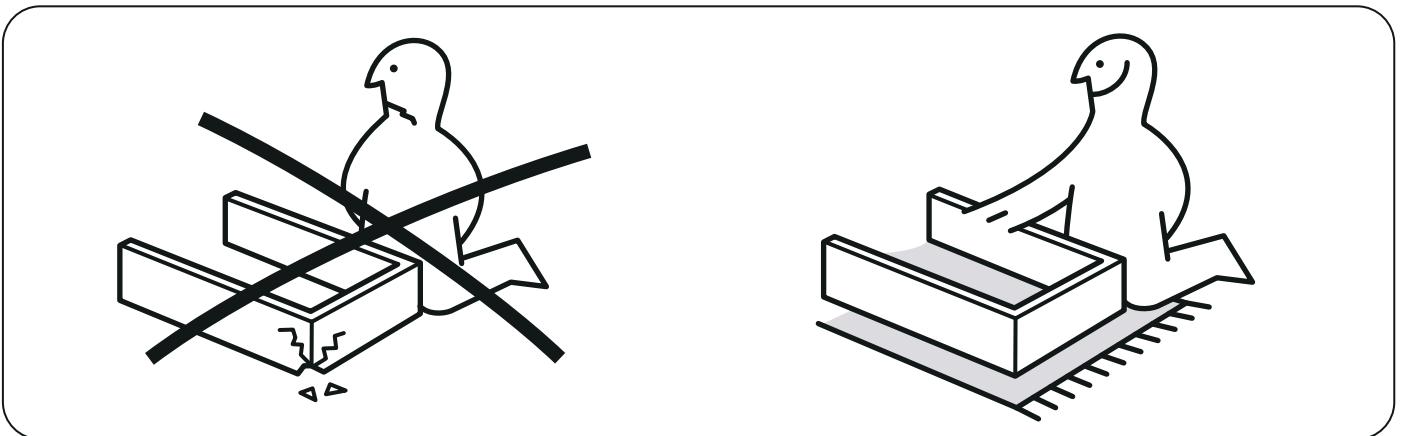
## FOLDING HEIGHT ADJUSTABLE DESK



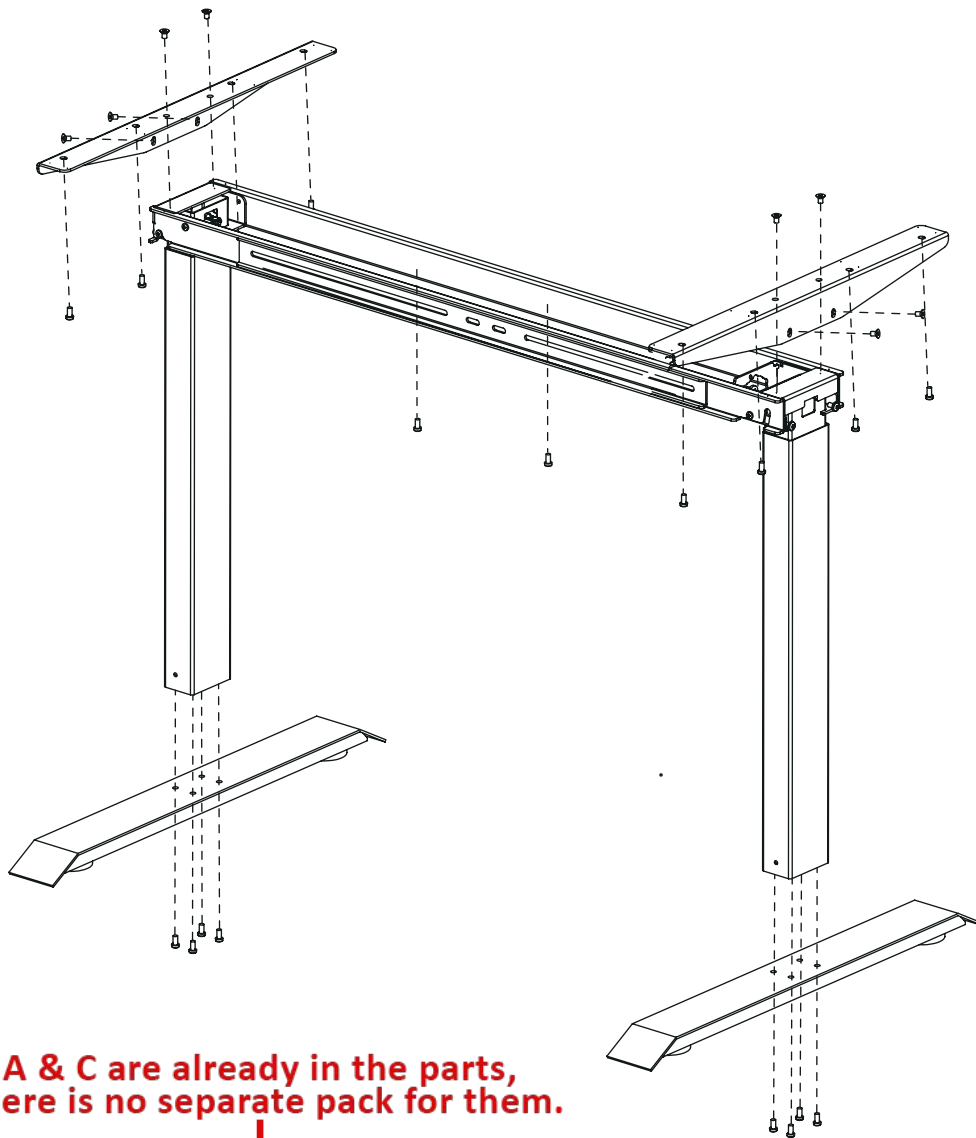
## Need Two Or More People To Complete



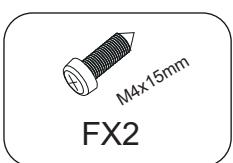
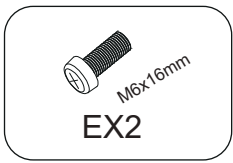
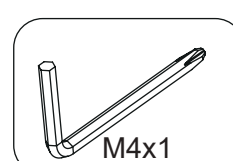
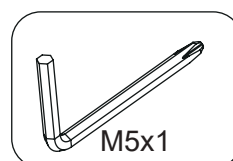
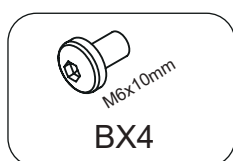
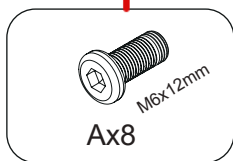
## Assemble Item On a Clean Flat Surface



- Please check you have all hardware before assembling.
- Please ensure you have the name of the item and hardware part required and quantity.
- Please contact us by mail, if you have any questions, and we will reply you ASAP.
- Enjoy your new purchase!

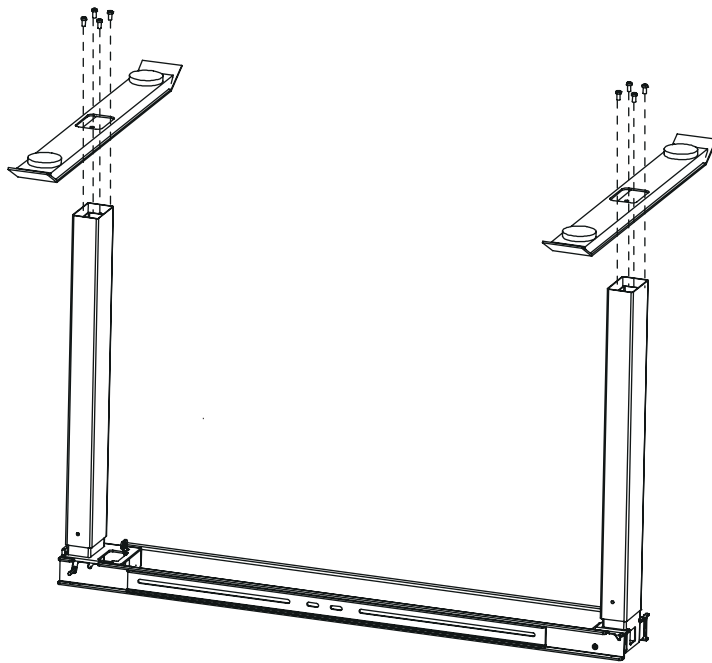
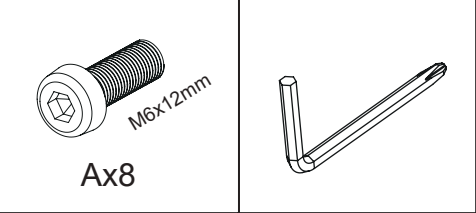


**A & C are already in the parts,  
there is no separate pack for them.**

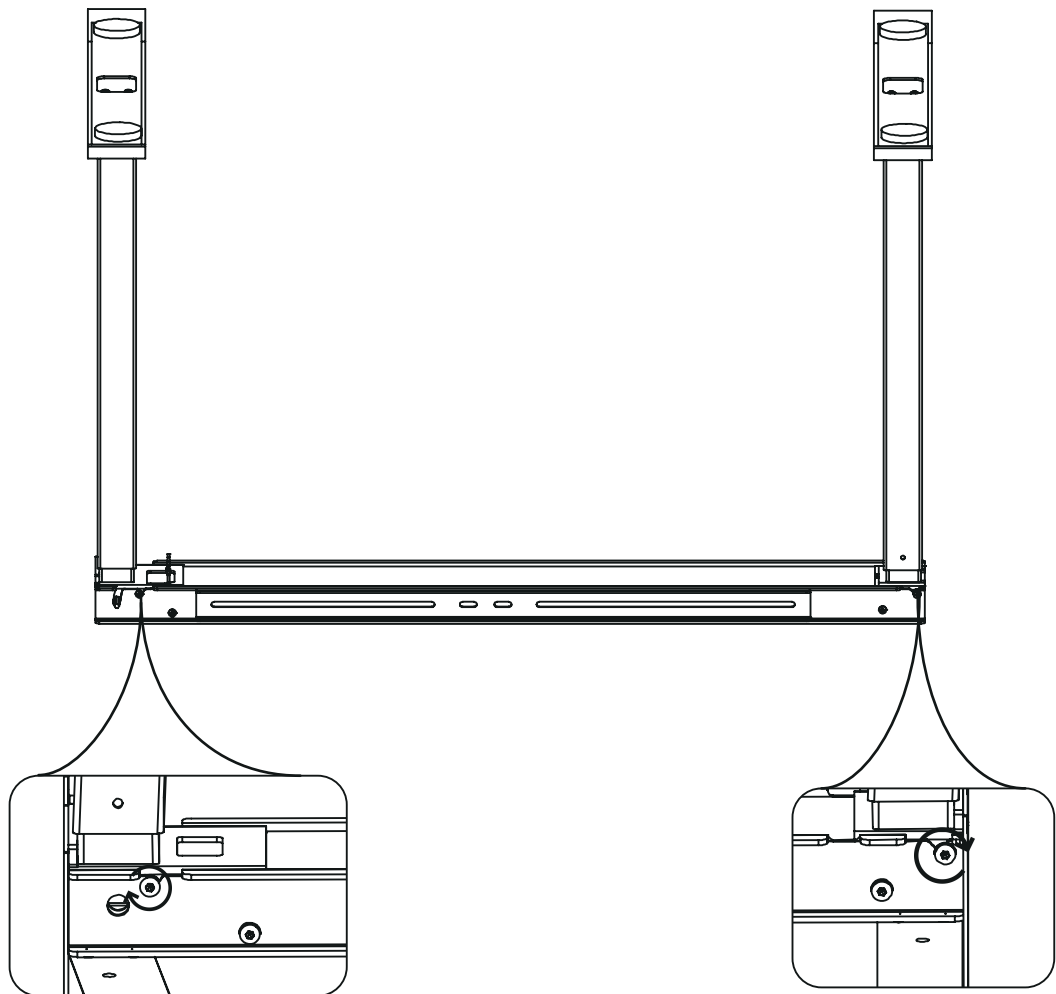


**A, B, C Pre-Assemble  
on the leg**





Open the frame to the right angle position. Assemble the base.



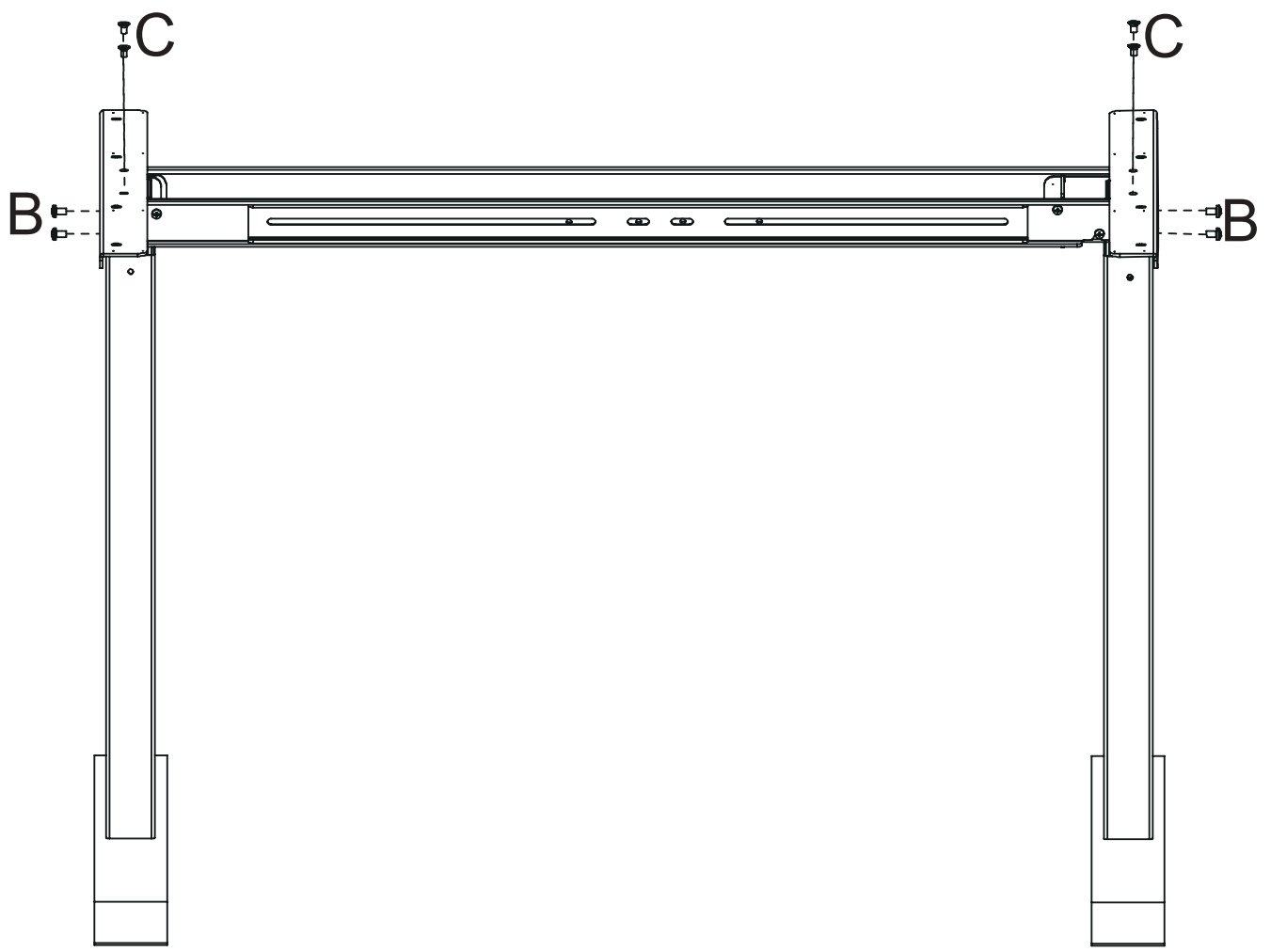
Tighten the screws for the foot. And don't forget tighten the folding legs.

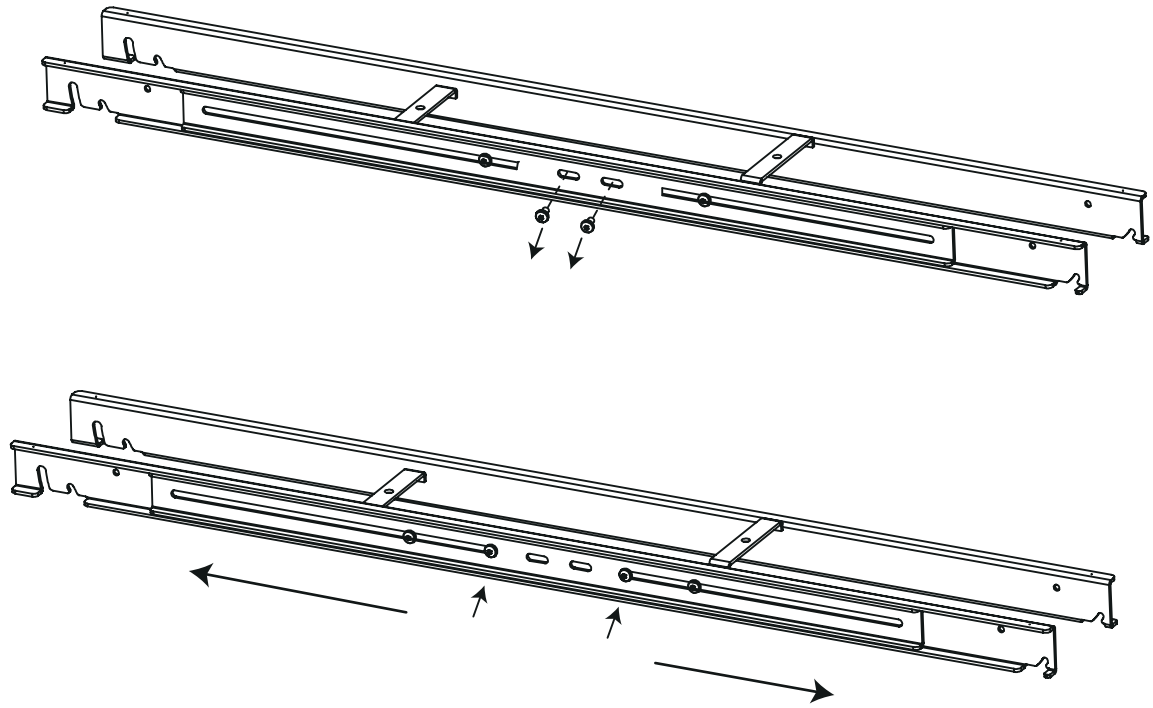


**BX4**

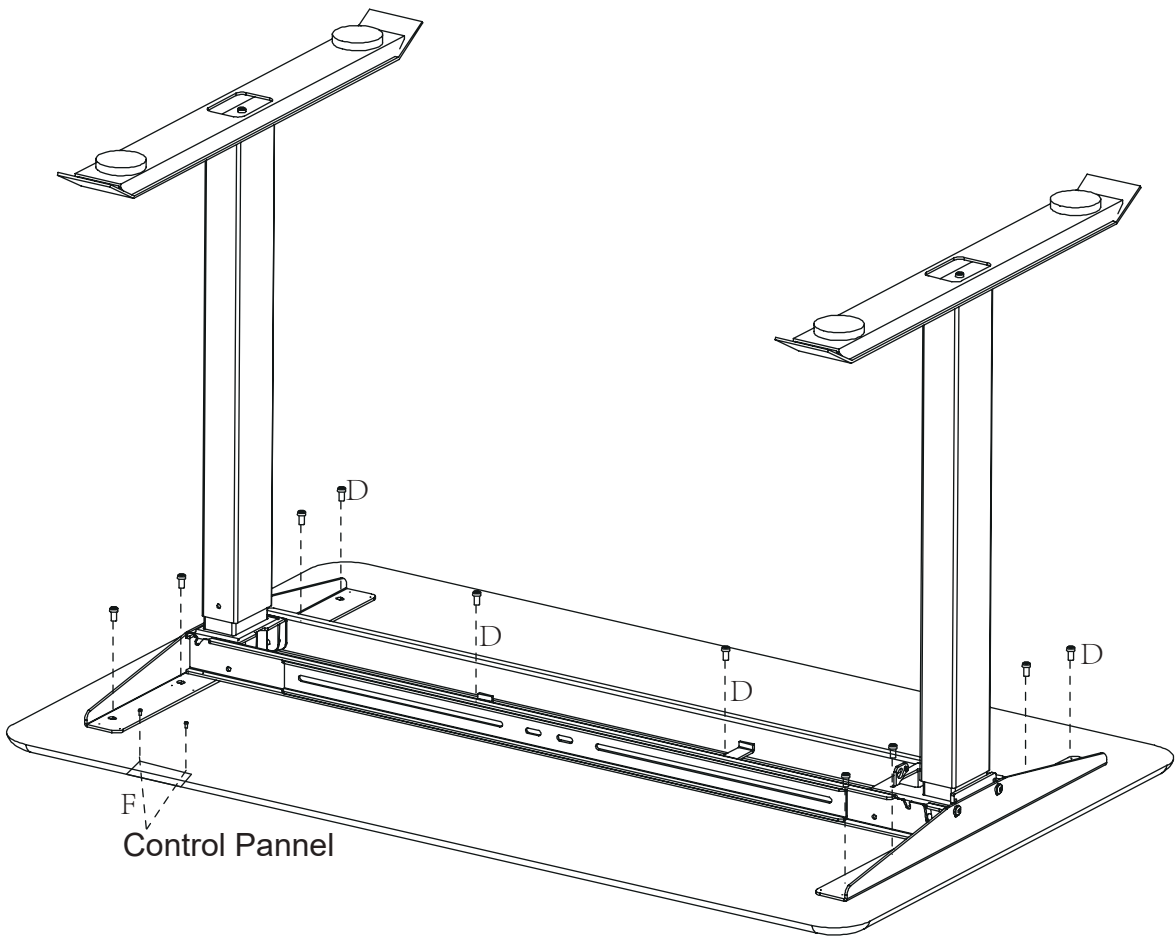
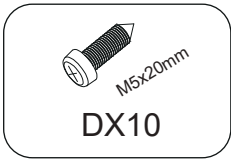


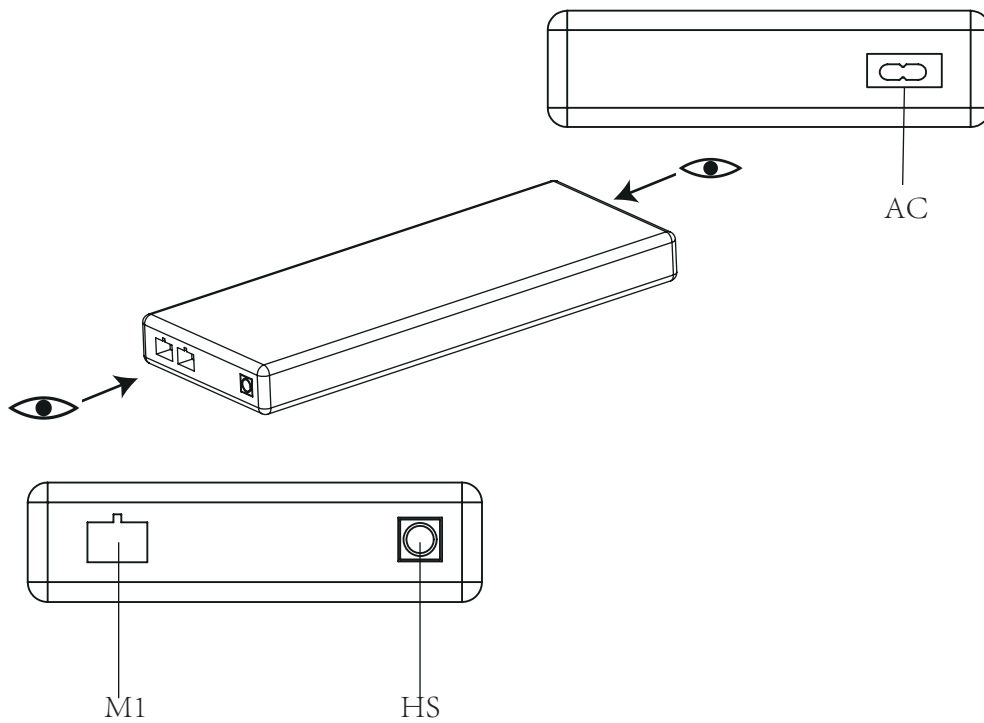
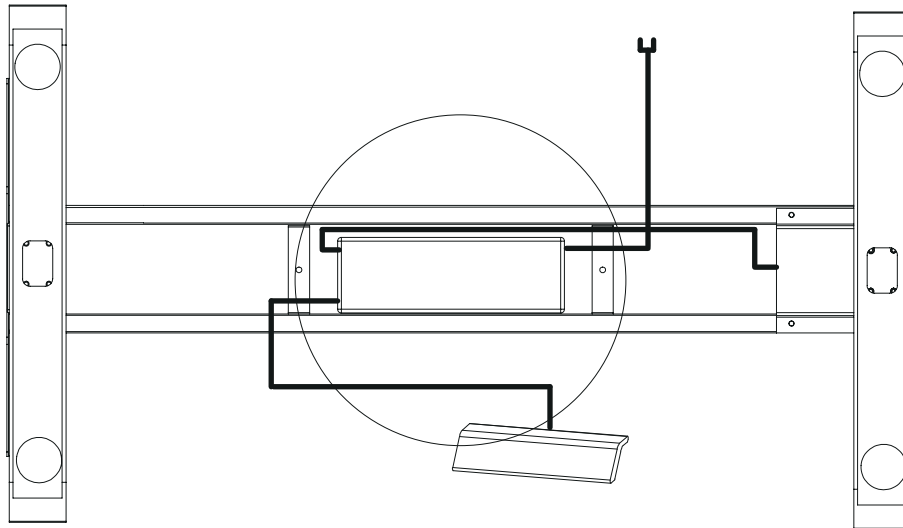
**CX4**





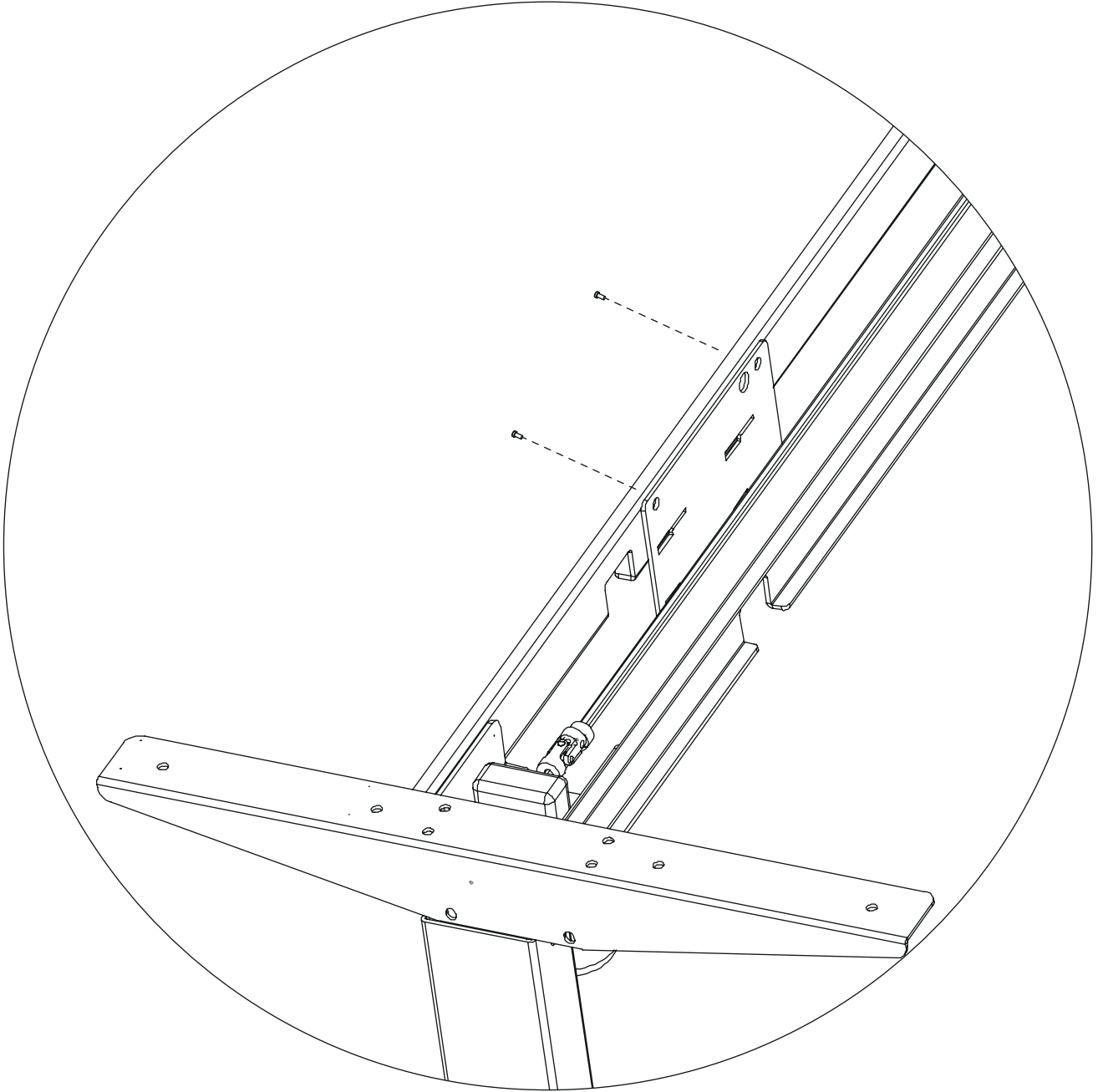
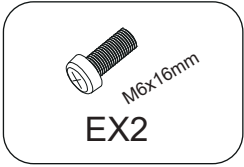
Loose the screws firstly,  
choose an ideal width,  
then tighten the screws in the position.



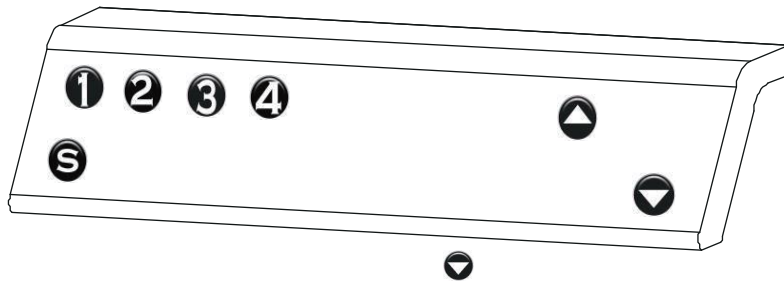


Put the control box in the cable tray.  
-insert the motor plug in M1  
-insert the control panel plug in HS  
-insert the power plug in AC





Assemble the control box



Function	Button operation instruction
Reset	In the condition of "E10, E20 and E60" or basic position mode, long press  3 seconds, loosen it until it shows "rES", the desk runs to the bottom and rebounds to certain height, reset finishes and shows lowest position height.
Manu-up	Press  and display real height
Manu-down	Press  and display real height
Memory Position 1	After press , the interface flashes and set memory position, press  until H1 appears, release button and it comes back to current height.
Memory Position 2	After press , the interface flashes and set memory position, press  until H2 appears, release button and it comes back to current height.
Memory Position 3	After press , the interface flashes and set memory position, press  until H3 appears, release button and it comes back to current height.
Memory Position 4	After press , the interface flashes and set memory position, press  until H4 appears, release button and it comes back to current height.
call memory position 1	Press  until 1 appears, release the button, it runs to corresponding height and displays current position.
call memory position 2	Press  until 2 appears, release the button, it runs to corresponding height and displays current position.
call memory position 3	Press  until 3 appears, release the button, it runs to corresponding height and displays current position.
call memory position 4	Press  until 4 appears, release the button, it runs to corresponding height and displays current position.
Metric and English unit conversion	Press  for 3 seconds and it will display S--, double press , it shows "In" or "SI", Press  or  to choose the English Unit(In) or Metric Unit(SL), press  to confirm and it will adjust in three seconds.
	Press  for 3 seconds and it will display S--, double press , it shows "In" or "SI", Press  or  to choose the English Unit(In) or Metric Unit(SL), press  to confirm and it will adjust in three seconds.
Rebound set; L1: OFF L2:Light level L3: Normal level L4: Heavy level	L1: Press  for 3 seconds and it will display S--, press  it will shows "Un" Press  or  until it shows "CF", press  to confirm. Press  or  to choose "OFF",press  to confirm.
	L2: Press  for 3 seconds and it will display S--, press  it will shows "Un" Press  or  until it shows "CF", press  to confirm. Press  or  to choose "L",press  to confirm.
	L3: Press  for 3 seconds and it will display S--, press  it will shows "Un" Press  or  until it shows "CF", press  to confirm. Press  or  to choose "N",press  to confirm.
	L4: Press  for 3 seconds and it will display S--, press  it will shows "Un" Press  or  until it shows "CF", press  to confirm. Press  or  to choose "H",press  to confirm.
Handle brightness set: 3-level adjustable: low, normal,high	Press  for 3 seconds and it will display S--, press  it will shows "Un" Press  or  until it shows "Br", press  to confirm. Press  or  to choose "L","N""H" press  to confirm.