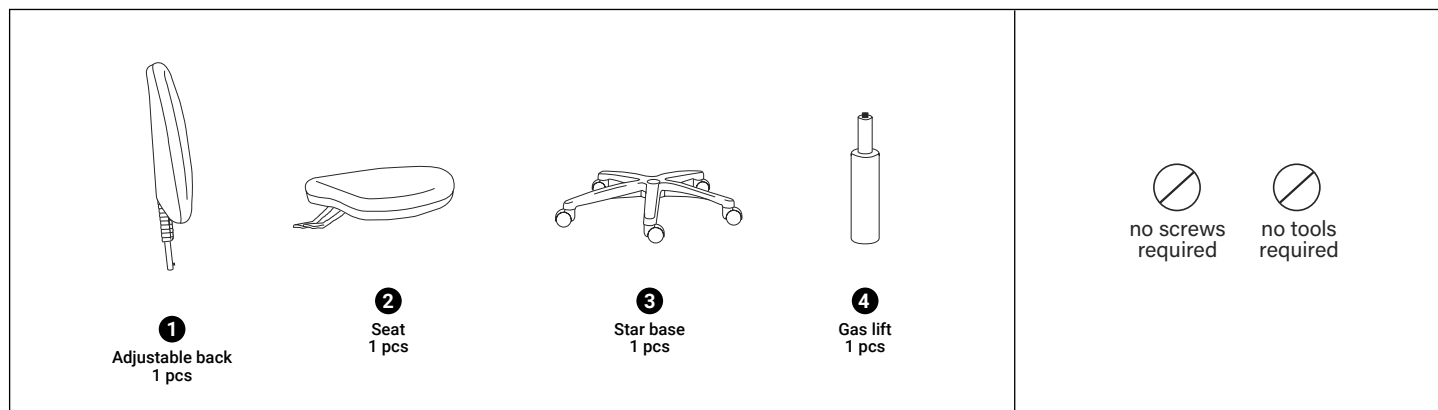
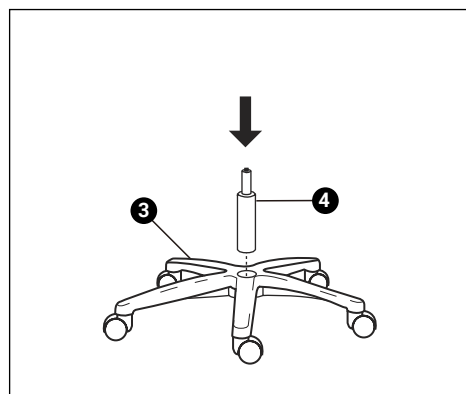


Alpha High Back Assembly Guide

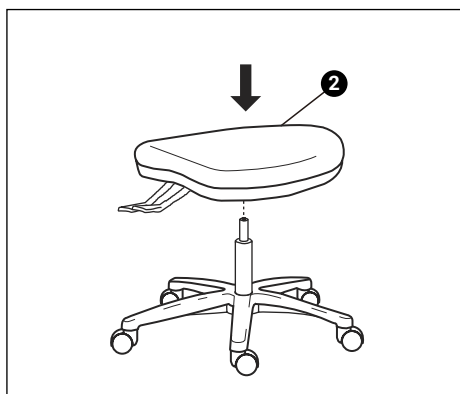
What's in the box



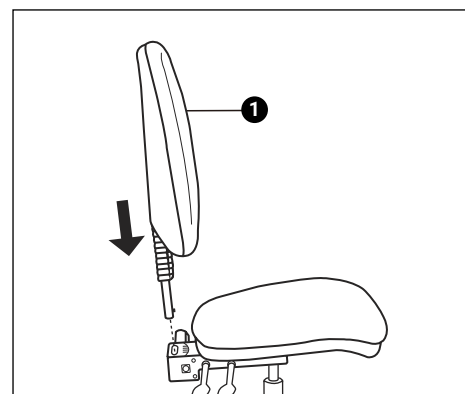
Assemble your Alpha High Back



Step 1
Place gas lift into star base



Step 2
Place seat on gas lift



Step 3
Slide back into seat and tighten in place

Adjust your Alpha High Back

