



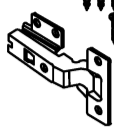







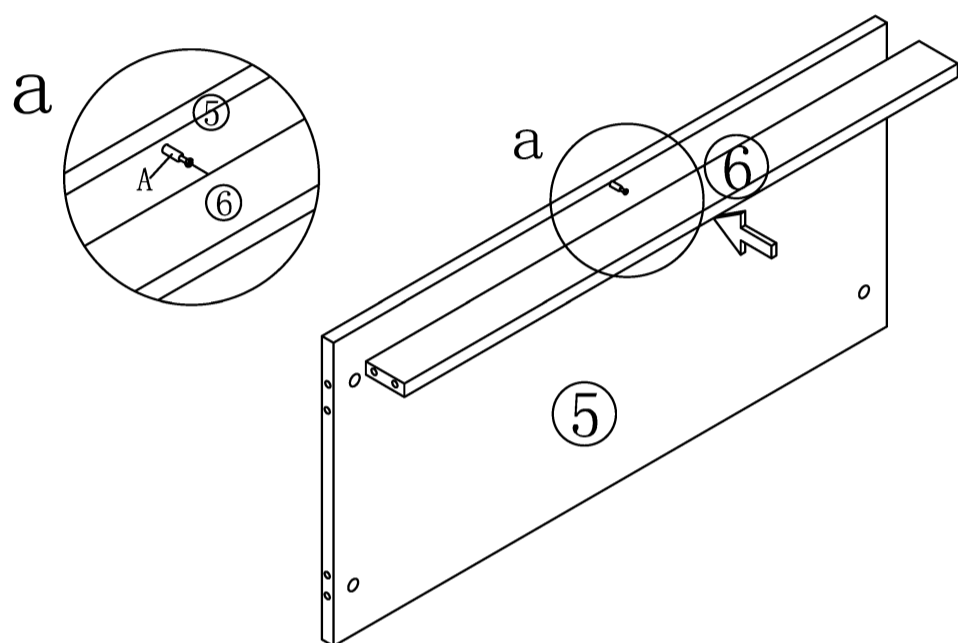
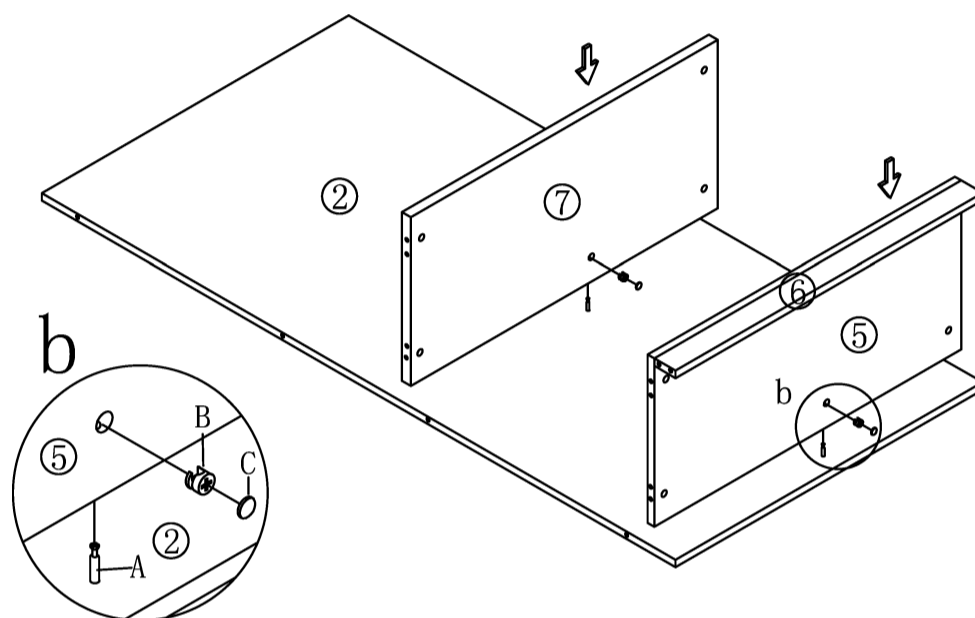


<p>A</p>  <p>Cam lock 29Pcs+1Pc (spare)</p>	<p>B</p>  <p>Klix Cam 29Pcs+1Pc (spare)</p>	<p>C</p>  <p>Cam Cover 29Pcs+1Pc (spare)</p>	<p>D</p>  <p>Dowel 14Pcs+1Pc (spare)</p>	<p>E</p>  <p>Center door hinge 4Set</p>	<p>F</p>  <p>Shelf Dowel 12Pcs+1Pc (spare)</p>	<p>G</p>  <p>96mm Metal scallop shape 2Set</p>	<p>H</p>  <p>Lock 1Set</p>	<p>I</p>  <p>screwϕ3.5*12 8Pcs+1Pc (spare)</p>
<p>J</p>  <p>Adjustable Glide 4 Pcs</p>	<p>k</p>  <p>Pin 1set</p>	<p>L</p>  <p>screwϕ4*19 4Pcs+1Pc (spare)</p>						

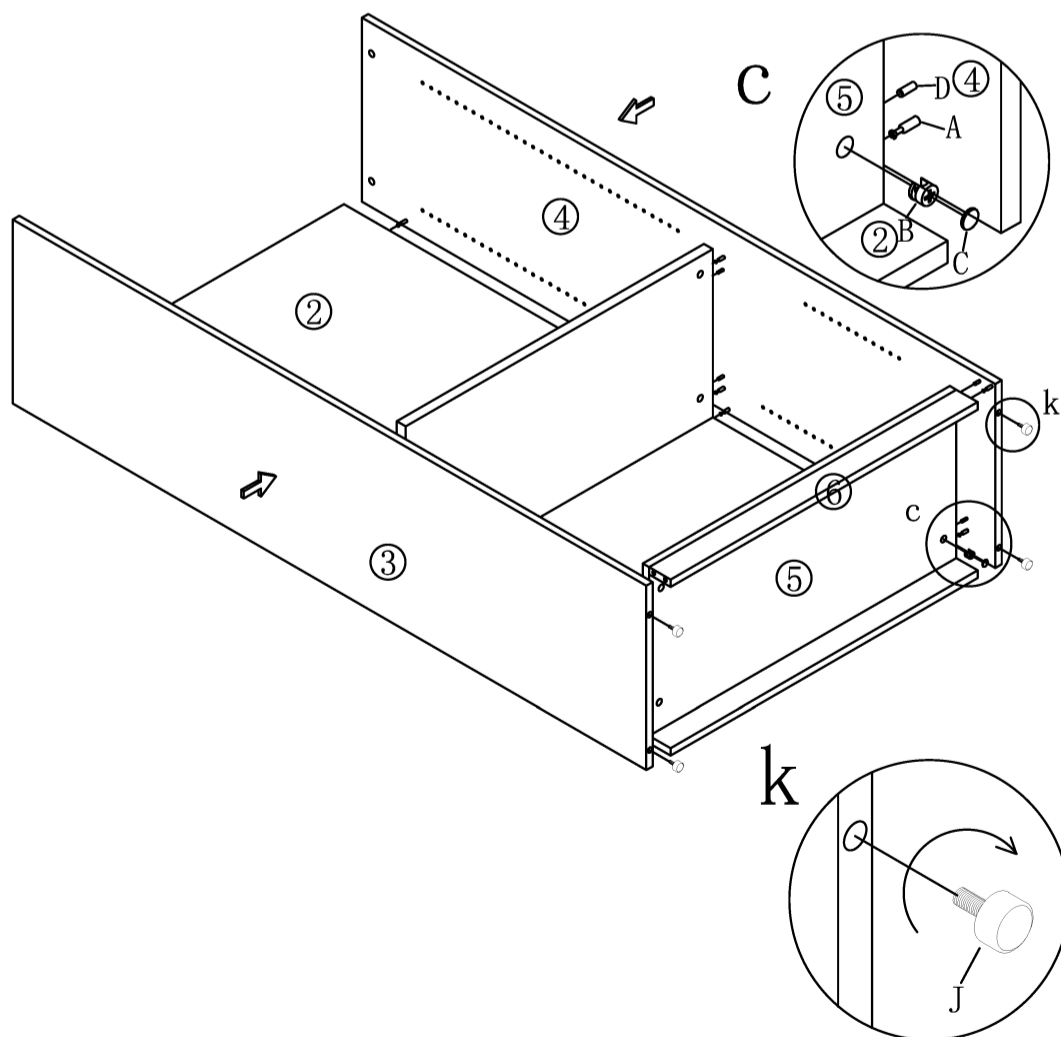
STEP1




STEP2



STEP3



IMPORTANT:
FUNCTION OF KLIX CAM



1/4 RIGHT
TURN FOR
LOCKING

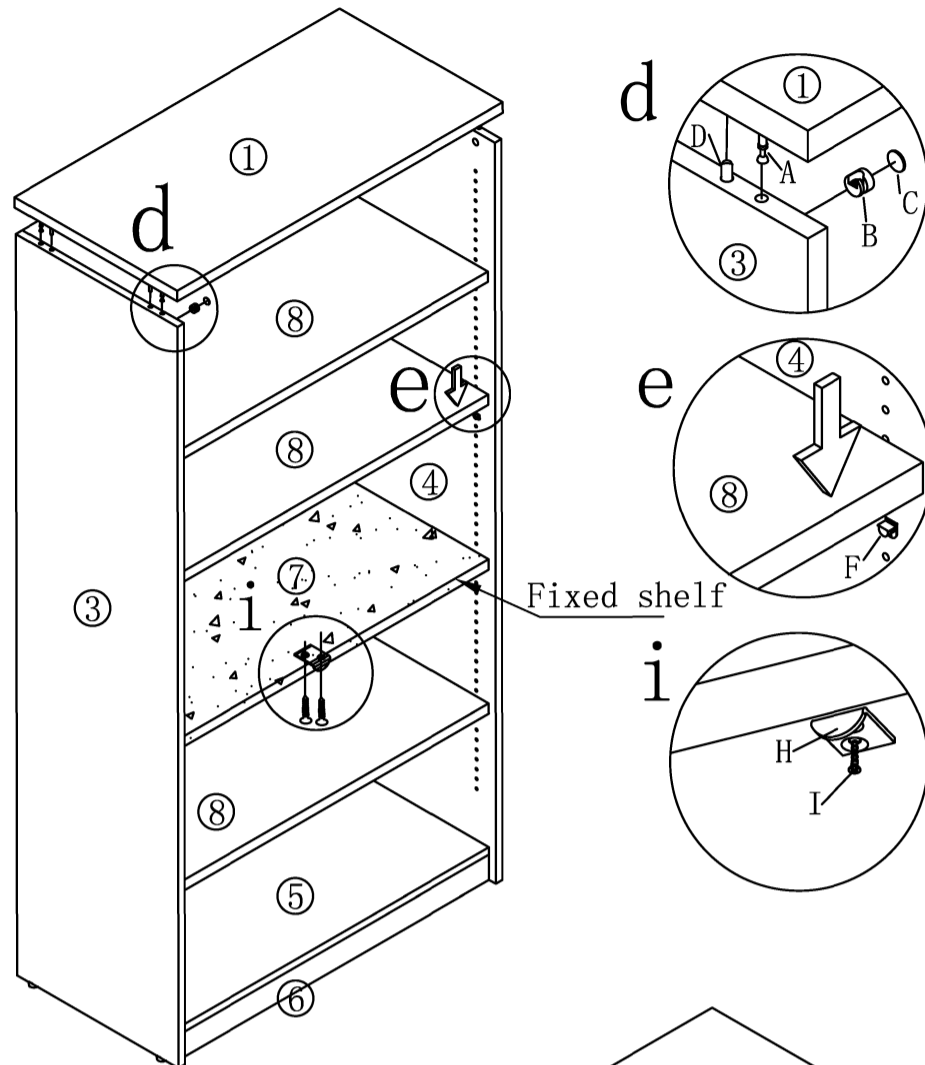
MAKE SURE THE ARROW IS
POING UPWARDS BEFORE
INSERTING INTO THE
PANELS HOLE

IMPORTANT NOTE:

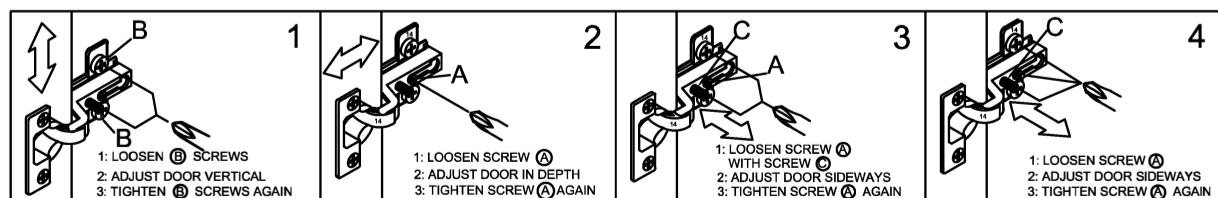
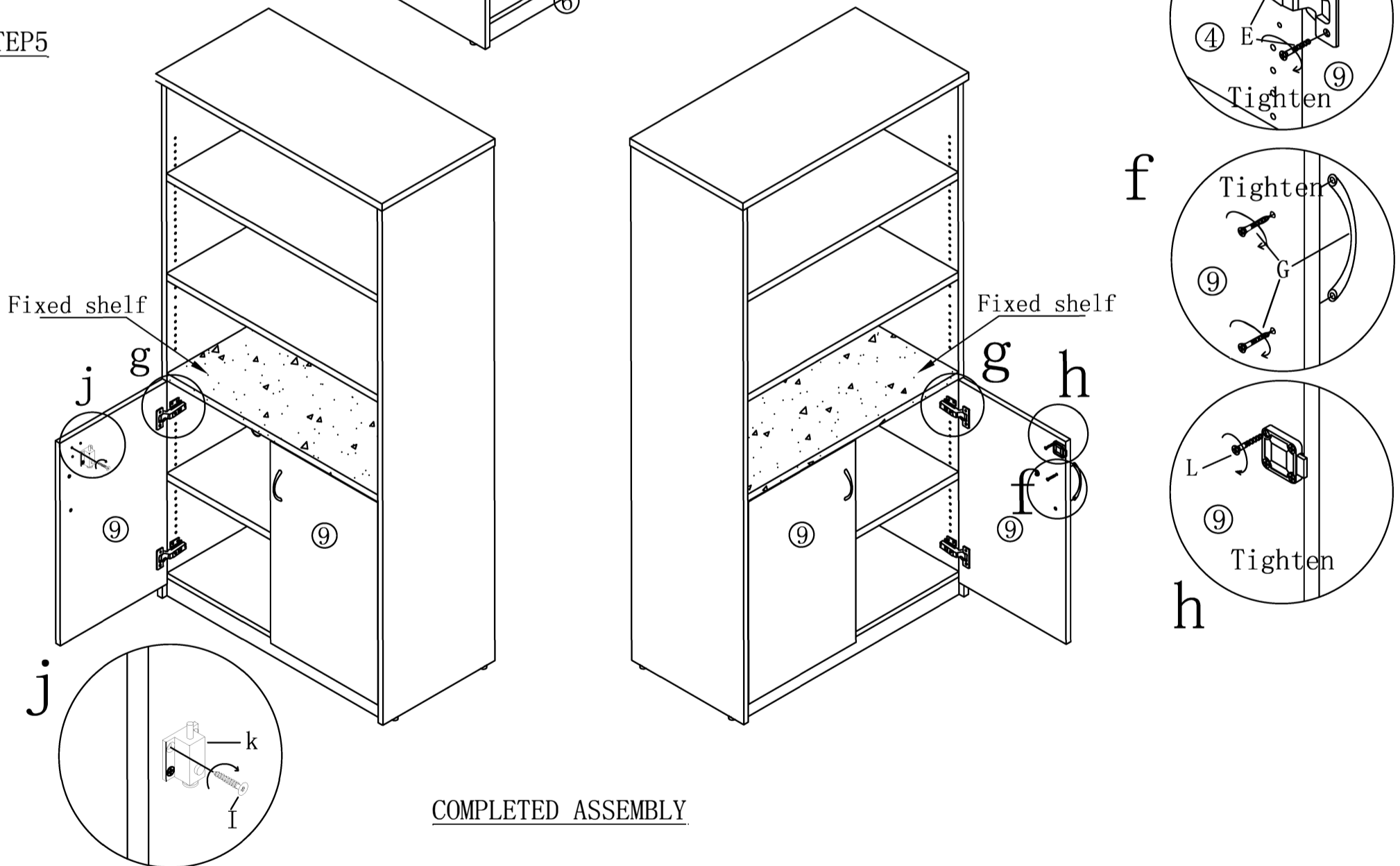
- Place all laminated parts on a clean and smooth surface such as a rug or carpet to avoid the parts from being scratched.
- Check to be sure that you have all parts and hardware.
- Remove all wrapping materials, including staples & packing straps before you start to assemble.
- Don't tighten all screws/bolts until all completely assembled.
- Keep all hardware parts out of reach of children

Assembly Instructions
MODEL NO. : OMJ-HC
 STATIONERY CABINET (FULL DOORS)

STEP4



STEP5



IMPORTANT NOTE:

- Place all laminated parts on a clean and smooth surface such as a rug or carpet to avoid the parts from being scratched.
- Check to be sure that you have all parts and hardware.
- Remove all wrapping materials, including staples & packing straps before you start to assemble.
- Don't tighten all screws/bolts until all completely assembled.
- Keep all hardware parts out of reach of children