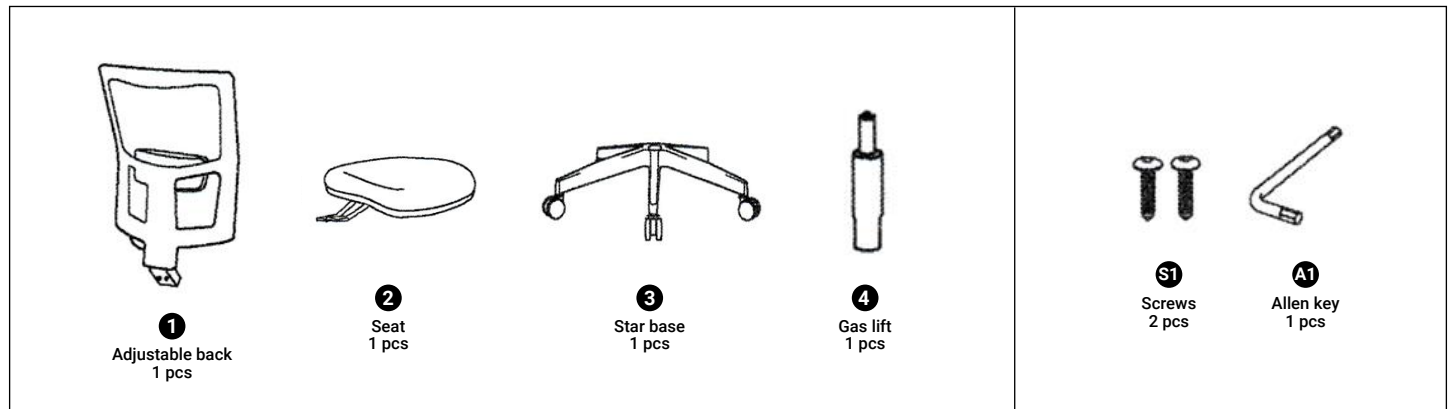
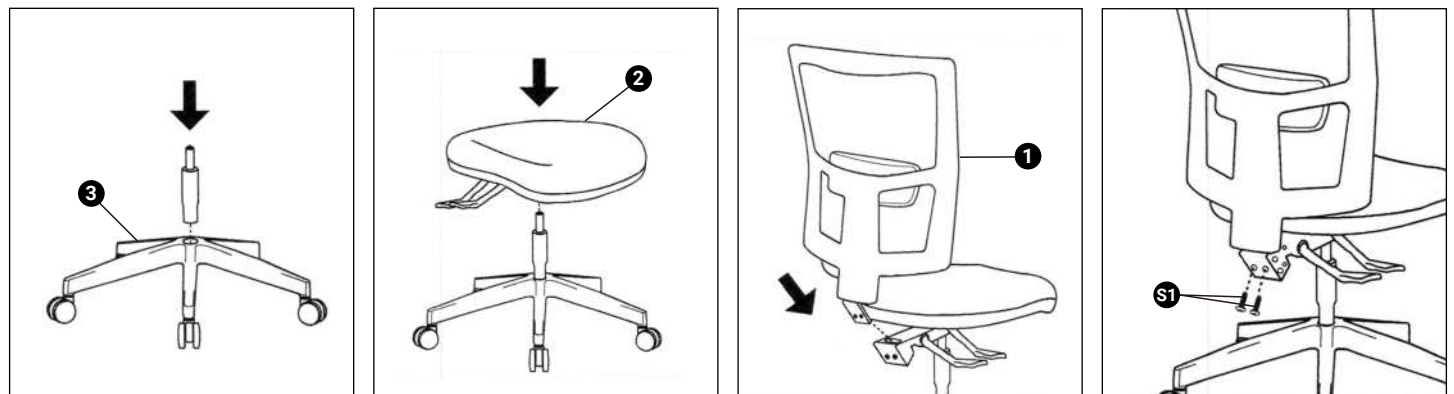


Team Air Assembly Guide

What's in the box



Assemble your Team Air



Step 1
Place gas lift into star base

Step 2
Place seat on gas lift

Step 3
Slide back into seat and align screw holes

Step 4
Use the allen key to tighten screws in place

Adjust your Team Air

