

ASSEMBLY INSTRUCTIONS:

Product Code : GG09FF / GG12FF

Product Name: GO Roll Out Filing Frame for Tambour Door Cupboards

TIME REQUIRED:

10 minutes

TOOLS REQUIRED:

Screwdriver, Electric Drill, Pencil, Measuring tape/Ruler

*Tools are not included.

SKILL REQUIRED:

Easy  Hard

The Assembly Skill Rating is a 5-point system that shows the degree of effort needed in assembling a specific product. With 1 being easy for the average person and 5 requiring an expert. For most products, two persons are recommended.

NOTE

- As this is a commercial product, some intermediate skills may be required.
 - No pre-drill holes or markings are provided on our table or desk tops.
 - Please check you have all hardware before assembling.
- If you are missing any hardware, please contact your Rapidline reseller. Please ensure you have the name of the item, required hardware part and quantity.
 - Please retain your receipt as proof of purchase to validate your warranty.
- Assemble on a clean, flat, smooth surface such as a rug or carpet to avoid parts from being scratched.
 - Remove all wrapping materials, including staples and packing straps before you start to assemble
 - Keep all hardware parts out of reach of children.

CAUTION

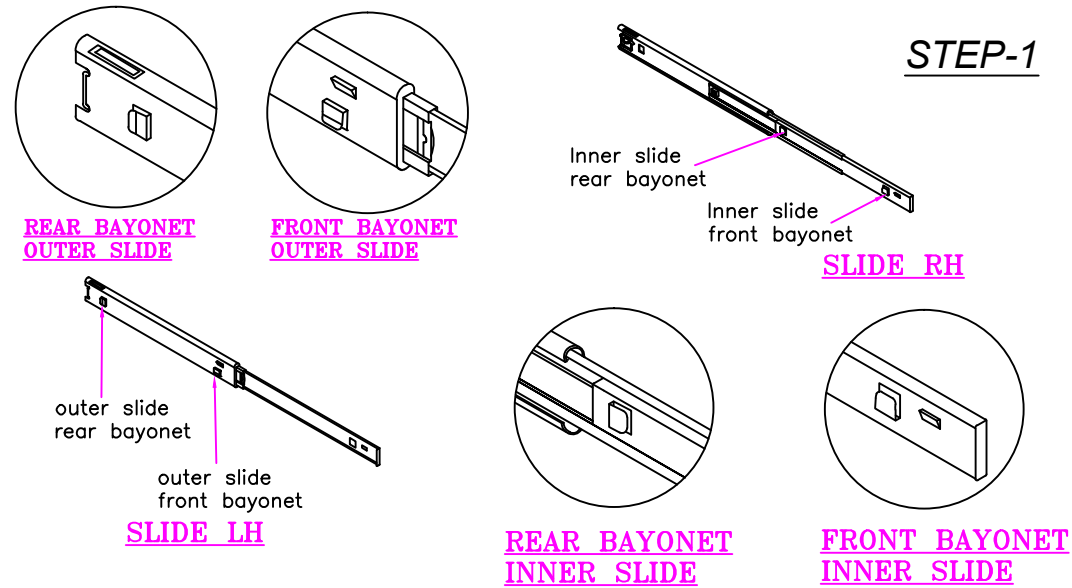
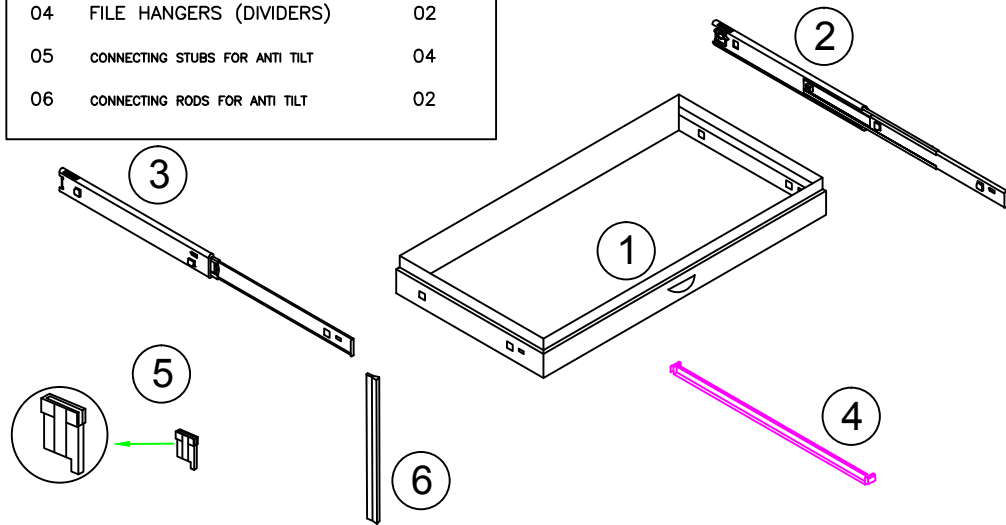
- Heavy product. Do not attempt to lift or move without help
- Do not tighten screws and bolts until completely assembled.
- Do not use this product unless all bolts and screws are firmly secured and tightened.

WARNING

- If parts are missing, broken, damaged or worn stop using the product until all repairs are made.
 - Failure to follow these warnings could result in serious injury.

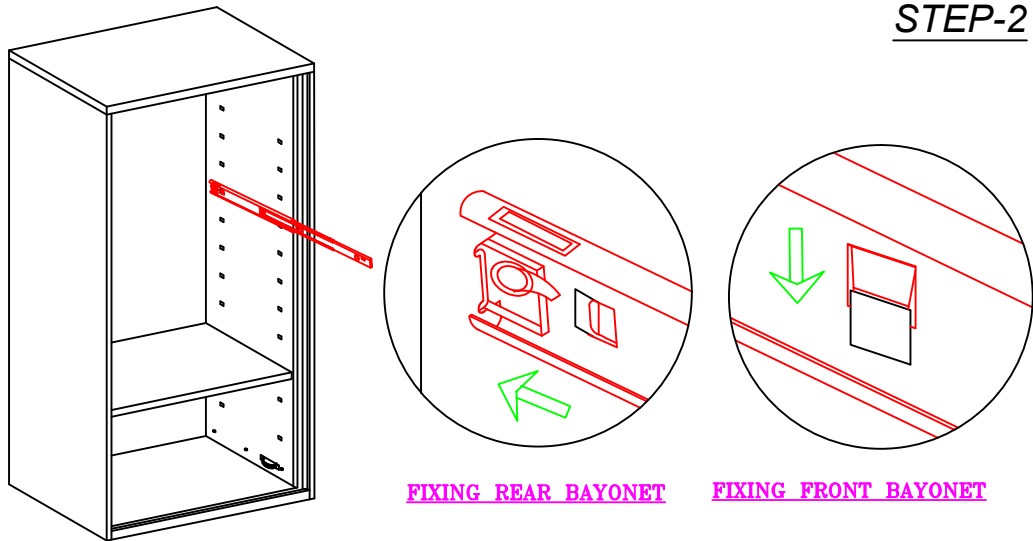
ASSEMBLY INSTRUCTIONS ROLL OUT FILING FRAME

PART LIST / AMROF		
Part No	Component	Quantity
01	ROLLOUT FILING FRAME	01
02	SLIDE RH	01
03	SLIDE LH	01
04	FILE HANGERS (DIVIDERS)	02
05	CONNECTING STUBS FOR ANTI TILT	04
06	CONNECTING RODS FOR ANTI TILT	02



STEP-1

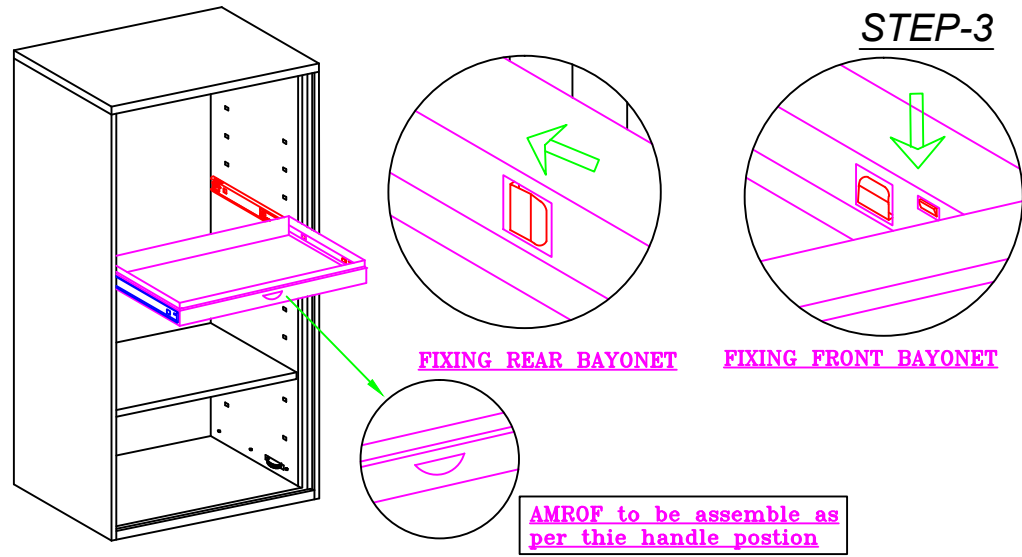
1. Hold the two slides in pair in such a way that the inner bayonets of the slides come in contact.
2. Now check for the RH and LH slides as shown above. The front bayonets of outer slides must come towards the assembler and the bayonet direction must be downward as shown in the above diagrams.



STEP-2

FIXING REAR BAYONET **FIXING FRONT BAYONET**

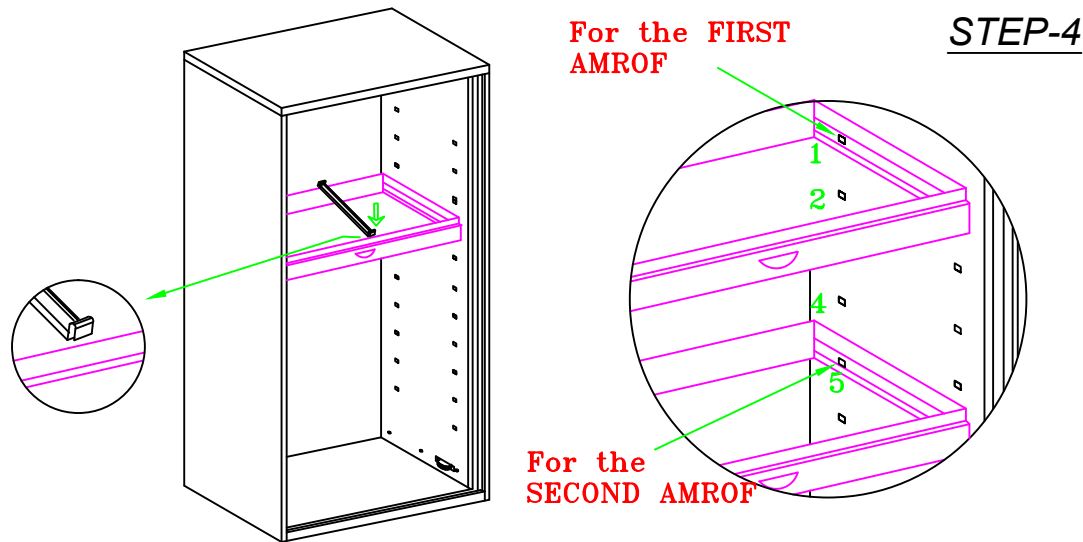
1. Position the rear bayonet of the RH slide on the rear slot of the inside panel at the desired position and press the slide inside as shown by the arrow direction.
2. Position the front bayonet of the slide in the front slot on the inside panel and press the slide downward as shown.
3. Similarly fix the LH slide at the same height of RH slide.



STEP-3

AMROF to be assemble as per this handle position

1. Position the AMROF as shown holding the handle towards the assemble and the handle straight edge facing upward as shown.
2. Position the rear slot of the AMROF on the rear bayonet of the slide as press the AMROF inward as shown by arrow mark.
3. Now position the front slot on the AMROF on the front bayonet as shown and press the AMROD downward as shown by arrow.
4. Similarly fix the AMROF on the other side.

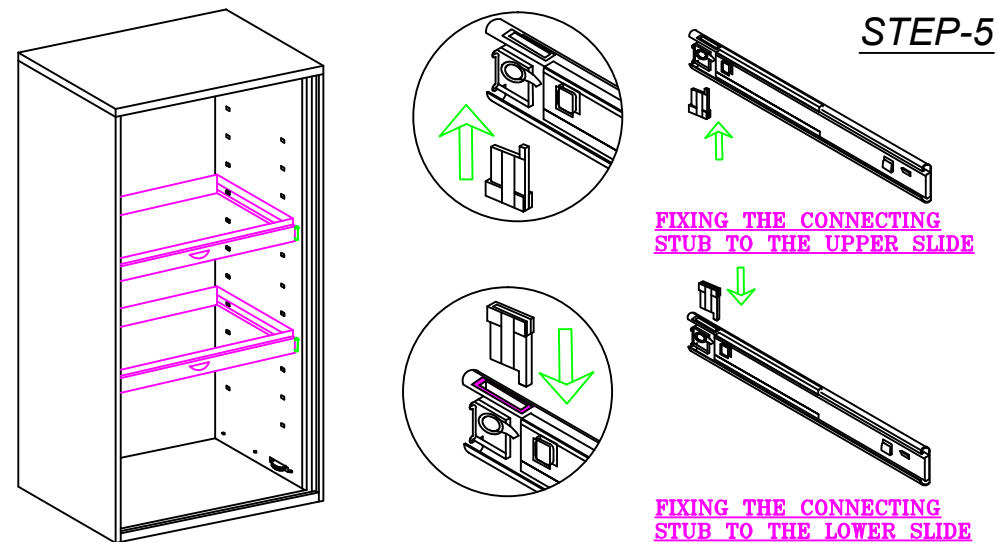


STEP-4

For the FIRST AMROF

For the SECOND AMROF

1. CHECK the movement of the AMROF by moving IN AND OUT COMPLETELY.
2. Assemble the other Roll out filing frames on the 5th slot taking the first Roll Out filing frame reference for using the ANTI TILT MECHANISM.
3. FOR SINGLE ROLLOUT FRAME NO NEED OF FIXING ANTI TILT MECHANISM.
4. FIX THE FILE HANGERS AS SHOWN.

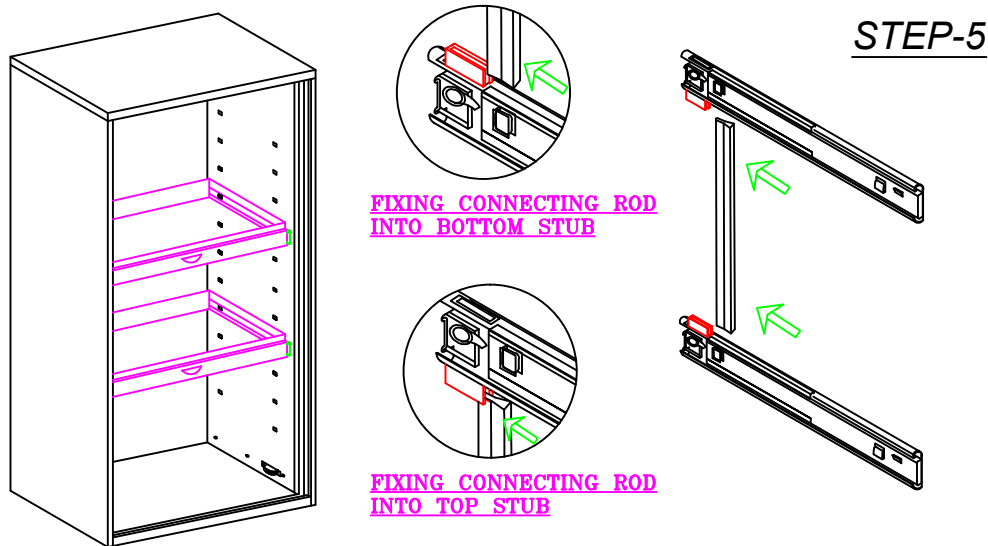


STEP-5

FIXING THE CONNECTING STUB TO THE UPPER SLIDE

FIXING THE CONNECTING STUB TO THE LOWER SLIDE

1. ASSEMBLE THE SECOND ROLL OUT FRAME ON THE 5TH SET OF SLOTS AS SHOWN.
2. Now FIX the CONNECTING STUBS IN THE RECTANGULAR SLOTS ON THE REAR END OF THE SLIDES AS SHOWN KEEPING ROLL OUT FRAMES IN FULLY CLOSED POSITION.
3. FOR SINGLE ROLLOUT FRAME NO NEED OF FIXING ANTI TILT MECHANISM.



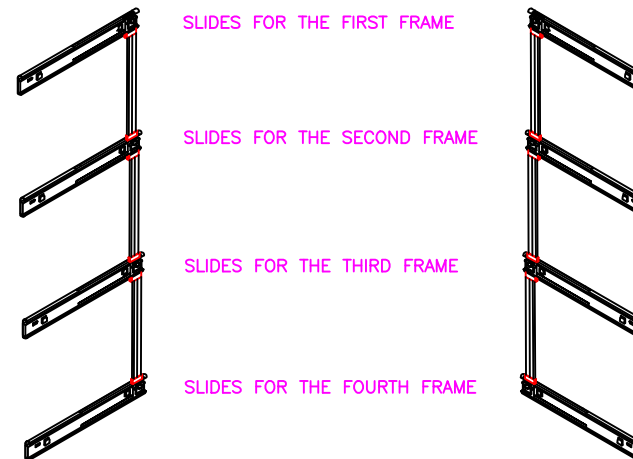
STEP-5

FIXING CONNECTING ROD INTO BOTTOM STUB

FIXING CONNECTING ROD INTO TOP STUB

1. Now fix the CONNECTING RODS in the bottom Connecting STUB as shown. the narrow section of the connecting ROD to be inserted in to the STUB.
2. Similarly Fix the connecting Rod into the TOP STUB as shown.
3. Now Fix the Connecting Rod on the other side of the Roll our frame.

CONENCTING THE ANTI TILT MECHANISMS AS PER THE NO OF ROLL OUT FITMENTS PER SOT



1. Please note we need to FIX the ANTI TILT MECHANISM as per the above configuration.
2. For 4 NO'S OF ROLL OUR FILING FRAMES WE NEED 6 CONNECTING RODS AND 12 CONNECTING STUBS. IF ANY EXCESS PLEASE KEEP THE PARTS FOR FUTURE USE IF ANY.
3. check for the ANTI TILT FUNCTIONING. Now the ROLL OUT FILING FRAMES ARE READY FOR USAGE.