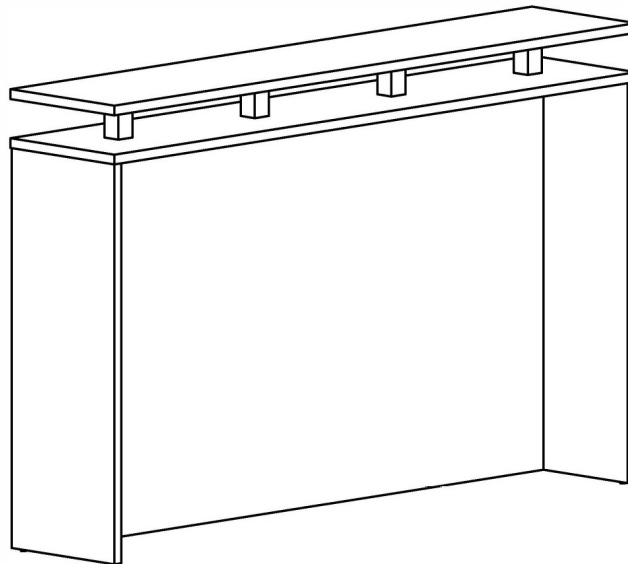


ASSEMBLY INSTRUCTION

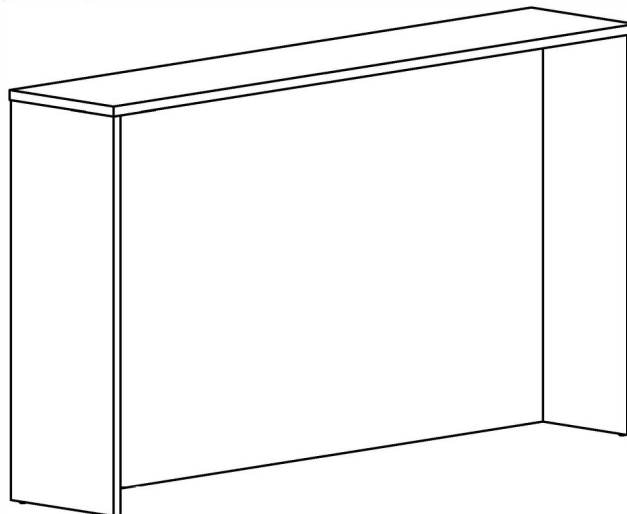
AXIS Reception Counter Main

ITEM No.:AXRPDN18 & AXRDN18

OPTION 1 (see page 4-6)



OPTION 2 (see page 7-9)



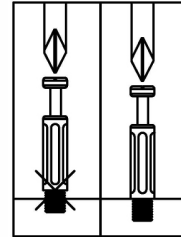


The turning direction of attaching

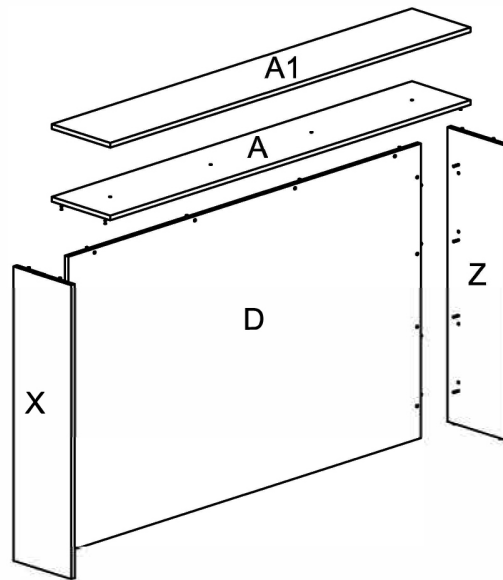


The arrow direction=front

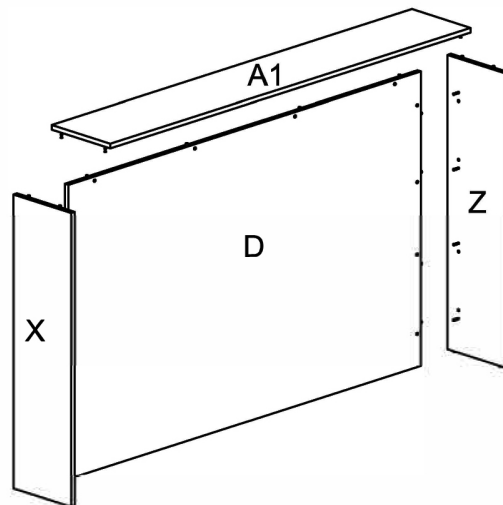
Incorrect Correct



OPTION 1



OPTION 2



PARTS LIST

ITEM	DESCRIPTION	QTY.	ITEM	DESCRIPTION	QTY.
A1	Top panel	1	(c1)	6*35 Cam Bolt	16
A	Top panel	1	(d1)	8*30 Dowel pin	16
X	Left side panel	1	(c2)	(5/8") Cam Cover	16
Z	Right side panel	1	(p15)	Metal Stand	4
D	Back panel	1	(w1)	Washer	4
			(s20)	6*90 Hexagon Fix Bolt	4
			(s15)	Spanner	1



(c1) 6*35 Cam Bolt-16



(d1) 8*30 Dowel Pin-16



(c2) (5/8") Cam Cover-16



(p15) Metal Stand -4



(w1) Washer-4



(s20) 6*90 Hexagon Fix Bolt-4



(s15) Spanner -1

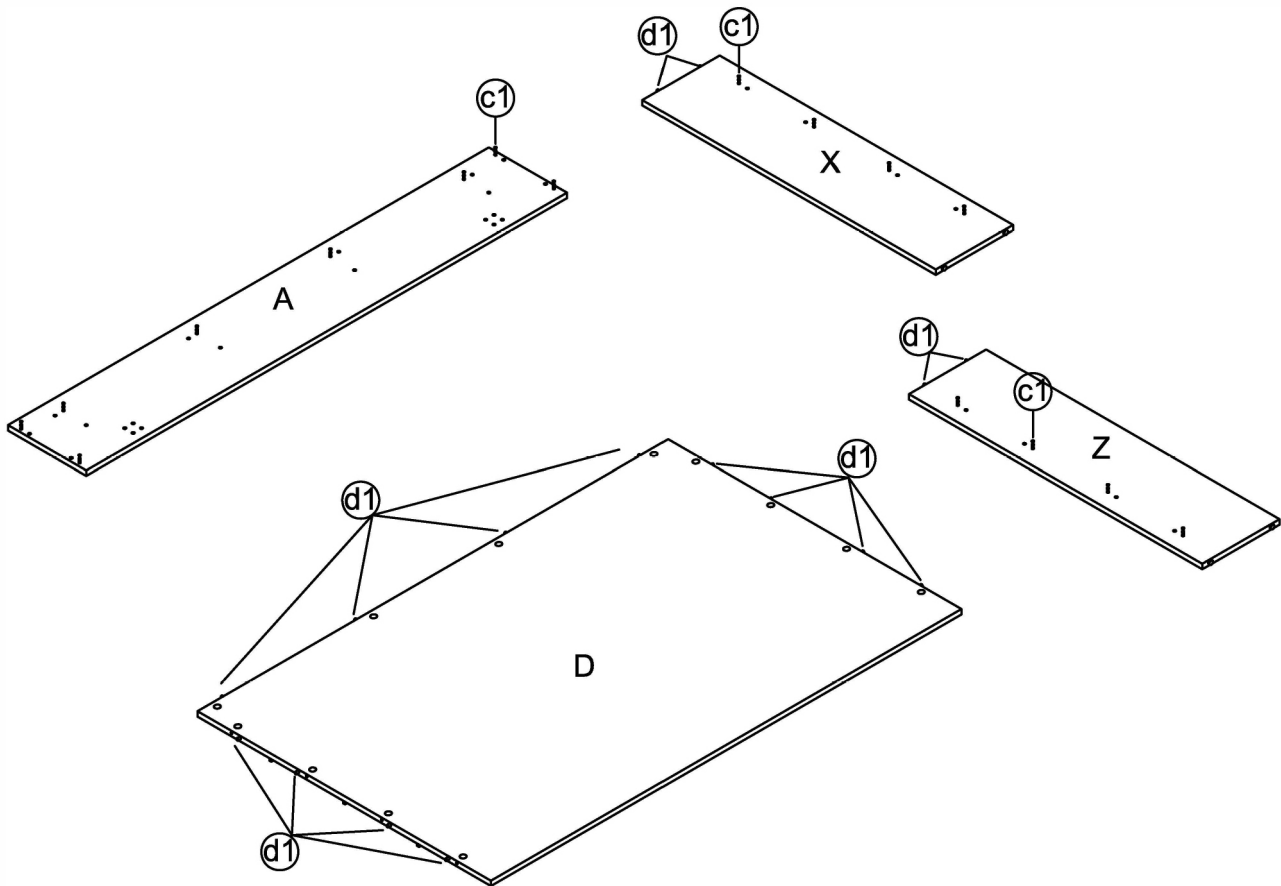
Pre-installed parts



(c5) Cam

OPTION 1

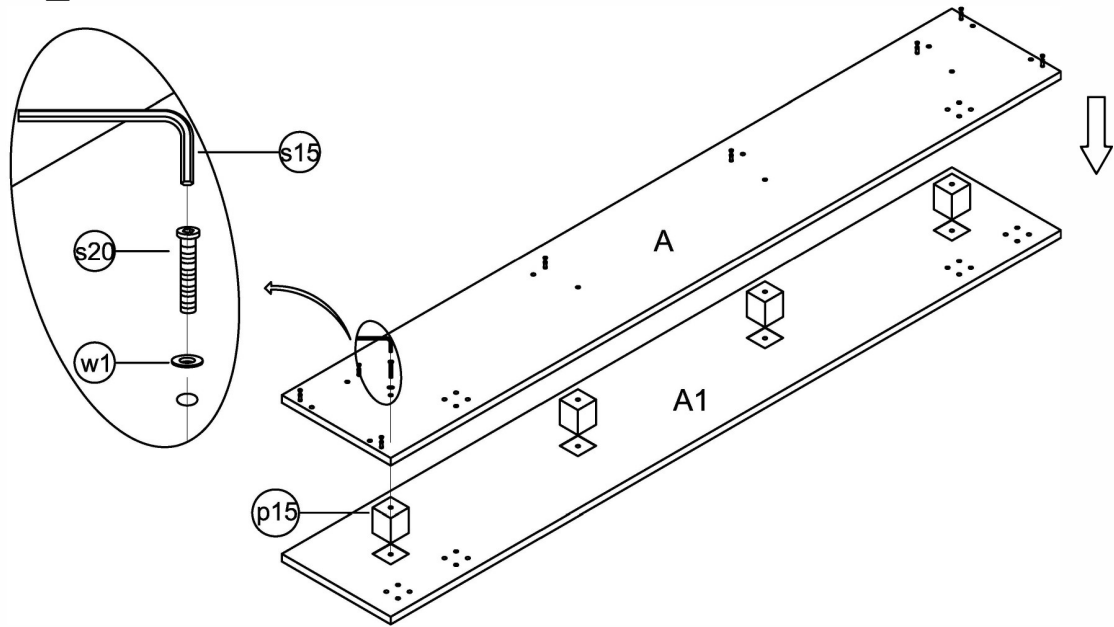
STEP 1



Preparation for Top panel A, Back panel D, Left side panel X, Right side panel Z .

1. Insert cam bolts (c1) and dowel pins (d1) into panel A ,D,X and Z as illustrated above.

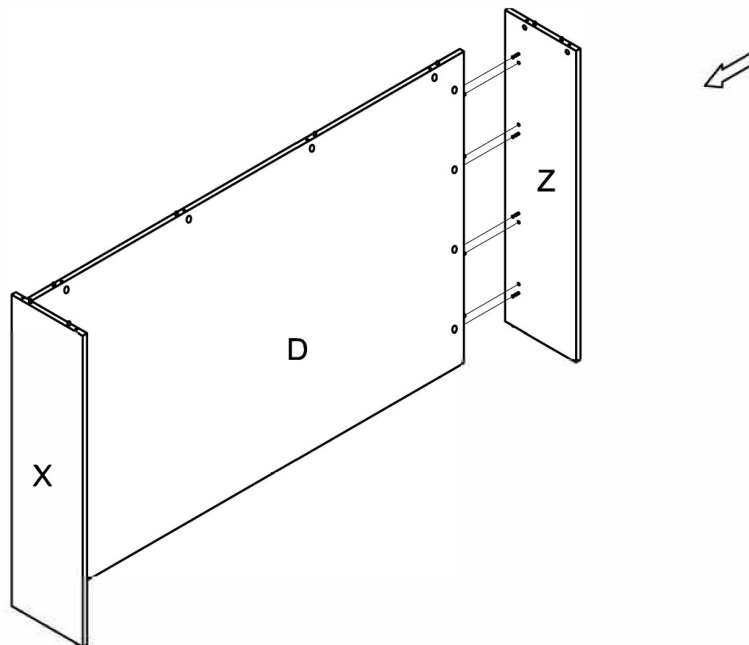
STEP 2



Top panel A and Top panel A1 assembly.

1. Assemble Metal Stand (p15) with screws (s20) on Top panel A,A1.

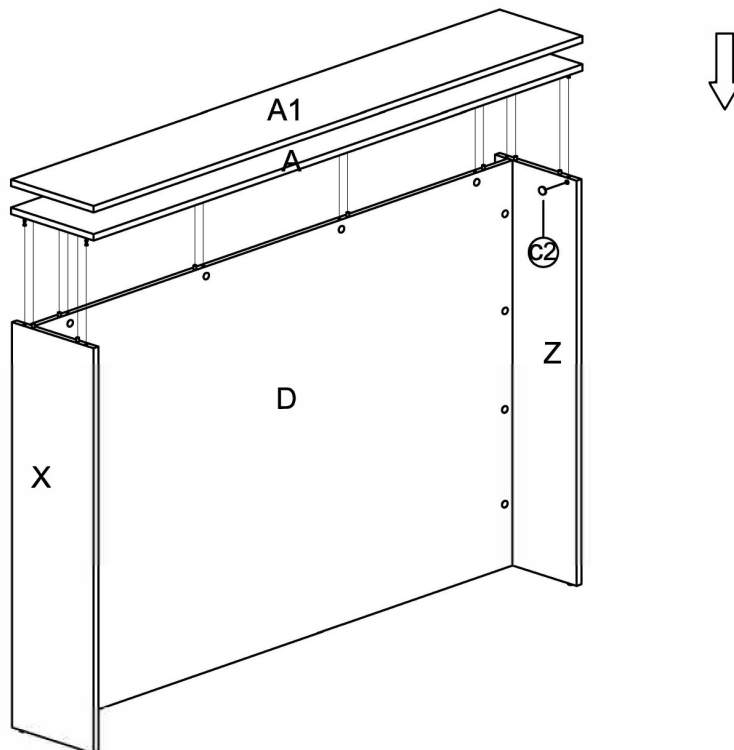
STEP 3



Back panel D,Left side panel X and Right side panel Z assembly.

1. Insert cam bolts (c1) and dowel pins (d1) on panel X and Z into cams on panel D and tighten in a clockwise direction as illustrated above.

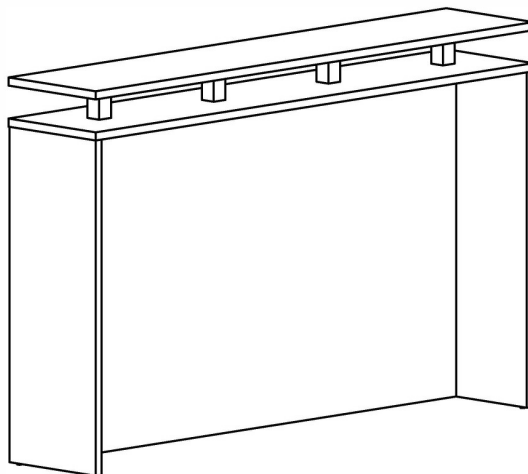
STEP 4



Top panel A and Back panel D, Left side panel X, Right side panel Z assembly.

1. Insert cam bolts (c1) and dowel pins (d1) on panel A into cams on panel X, Z and D and tighten in a clockwise direction as illustrated above.
2. Cover the cam covers (c2) on the top of cams.

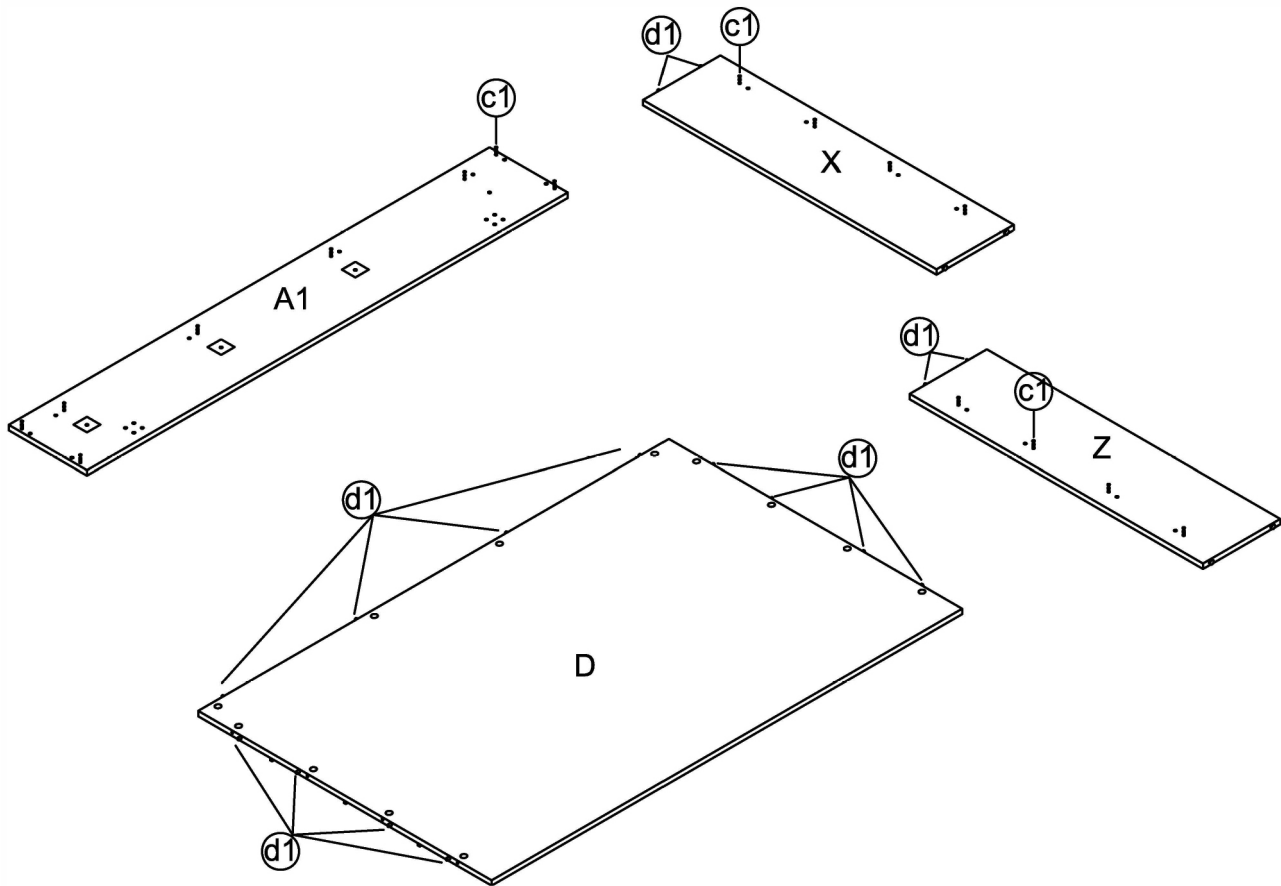
STEP 5



You have now successfully completed the assembly on item:
AXIS Reception Counter Main
ITEM No.: AXRPD18 & AXRD18

OPTION 2

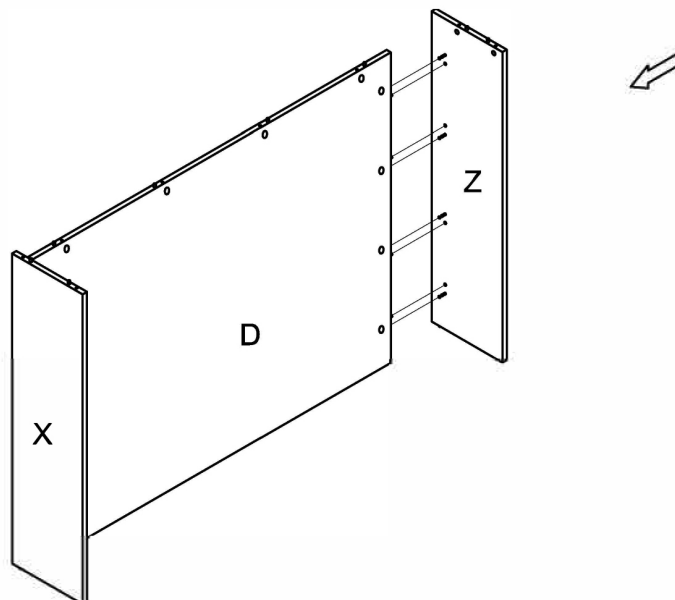
STEP 1



Preparation for Top panel A1, Back panel D, Left side panel X, Right side panel Z .

1. Insert cam bolts (C1) and dowel pins (d1) into panel A1 ,D,X and Z as illustrated above.

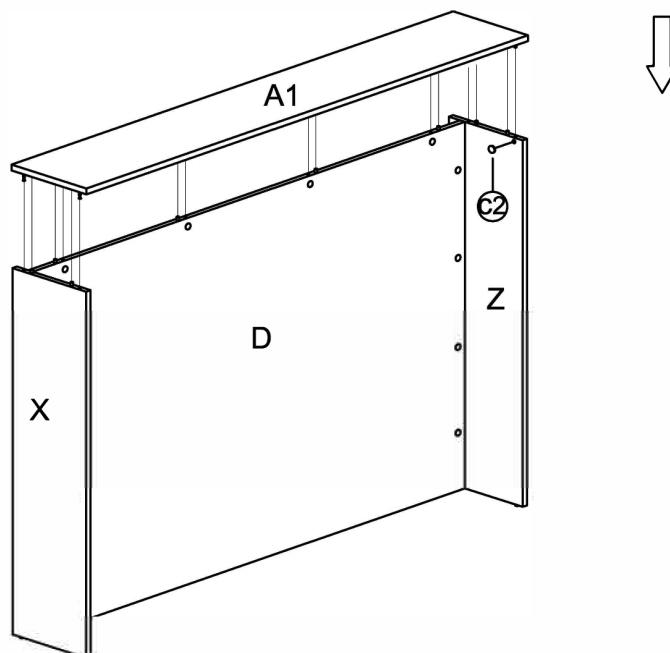
STEP 2



Back panel D, Left side panel X and Right side panel Z assembly.

1. Insert cam bolts (c1) and dowel pins (d1) on panel X and Z into cams on panel D and tighten in a clockwise direction as illustrated above.

STEP 3

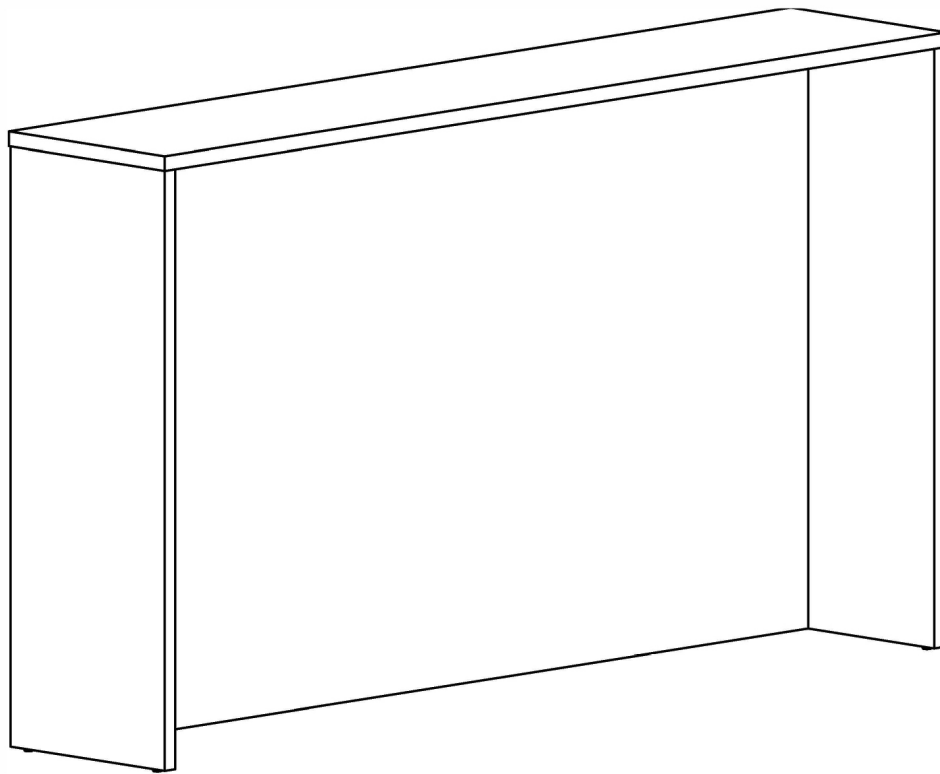


Top panel A1 and Back panel D, Left side panel X, Right side panel Z assembly.

1. Insert cam bolts (c1) and dowel pins (d1) on panel A1 into cams on panel X, Z and D and tighten in a clockwise direction as illustrated above.
2. Cover the cam covers (c2) on the top of cams.

You have now successfully completed the assembly on item:

AXIS Reception Counter Main
ITEM No.:AXRPDN18 & AXRDN18



Remove all QC and panel labels and wipe clean using a damp cloth and general household cleaner .