

# Ergorite

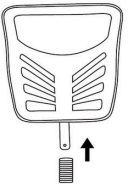

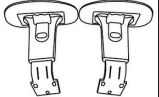

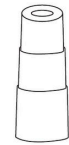
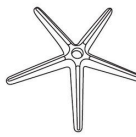
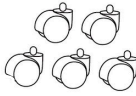
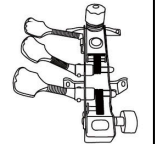
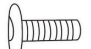



## ERGORITE ASSEMBLY GUIDE

**bdo furniture**

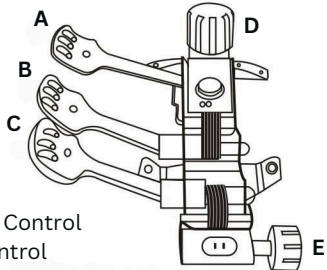
[www.bdofurniture.com.au](http://www.bdofurniture.com.au)



# Assembly Instructions

Ax1 	Bx1 	Cx1 <i>(Only included if ordered/selected)</i> 	Dx1 	Ex1 	Fx1 
Gx5 	Hx1 	Ix10 <i>(Only 4 bolts for no armrest chair)</i>  M6x25mm	Jx10 <i>(Only 4 washers for no armrest chair)</i>  M6x18mm	Kx1 	 <i>Scan me for Product Information &amp; Assembly Video</i>

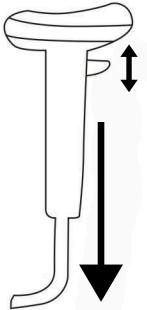
**Mechanism Controls**



- A. Height Control
- B. Tilt Control
- C. Backrest Control
- D. Bodyweight Tension Control
- E. Backrest Clamp Control

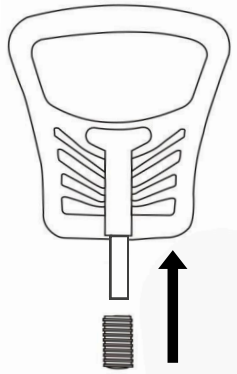
**Armrests (If Included)**

Only required if armrest have been selected/included. Pull up or press down to adjust the armrest height.



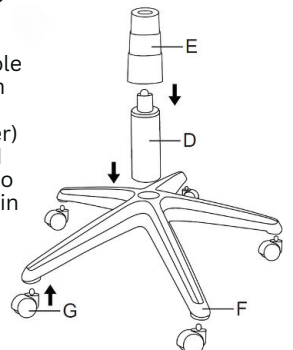
**STEP 1**

Slide the backrest cover onto the backrest shaft. This will cover the metal shaft.



**STEP 2**

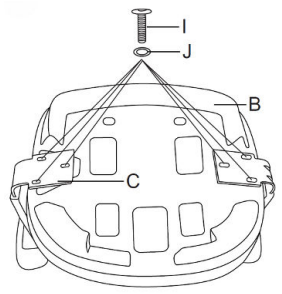
Place all casters into the base pushing the pin right into the hole until its firmly in place. Place gas lift bellow (cover) over gas lift and place gas lift into the centre hole in the chair base.



# Assembly Instructions

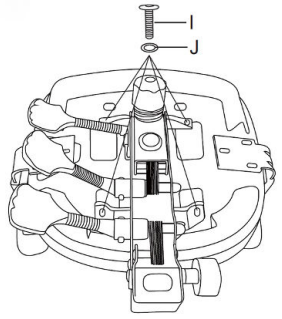
**STEP 3**

Optional Step. Only required if armrest have been ordered/selected. Assemble the armrests as shown below.



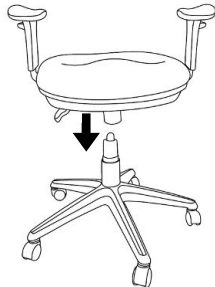
**STEP 4**

Assemble the mechanism as shown below.



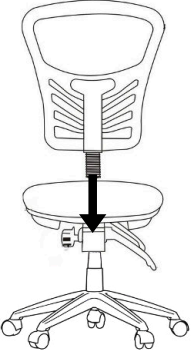
**STEP 5**

Place the seat onto the gas lift & chair base. Make sure the hole on the mechanism lines up with the gas lift and press firmly down on the seat once in position.



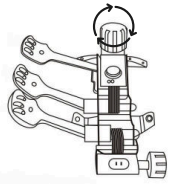
**STEP 6**

Assemble the backrest as shown below. Tighten the backrest clamp to secure the backrest firmly.



**STEP 7**

Sit on the chair and adjust the bodyweight tensioner to the correct setting so when you lean back on the backrest it doesn't move too quickly which can be dangerous.



**Enjoy your Ergorite chair!**

