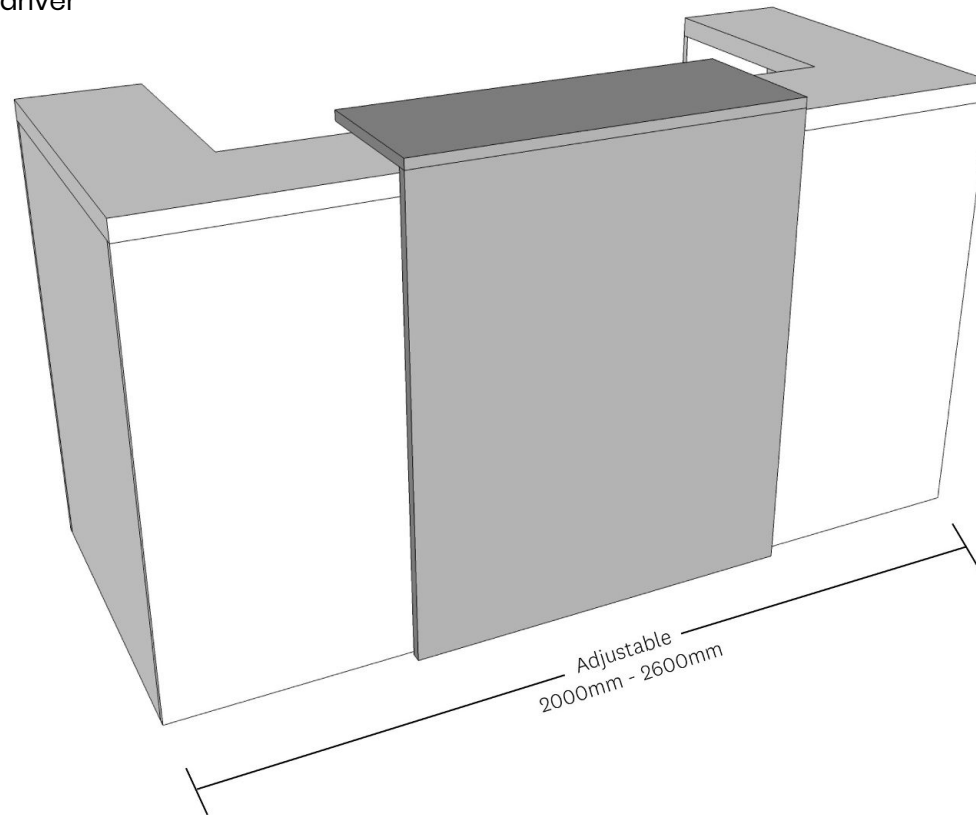


Anvil Reception Counter

Installation Guide

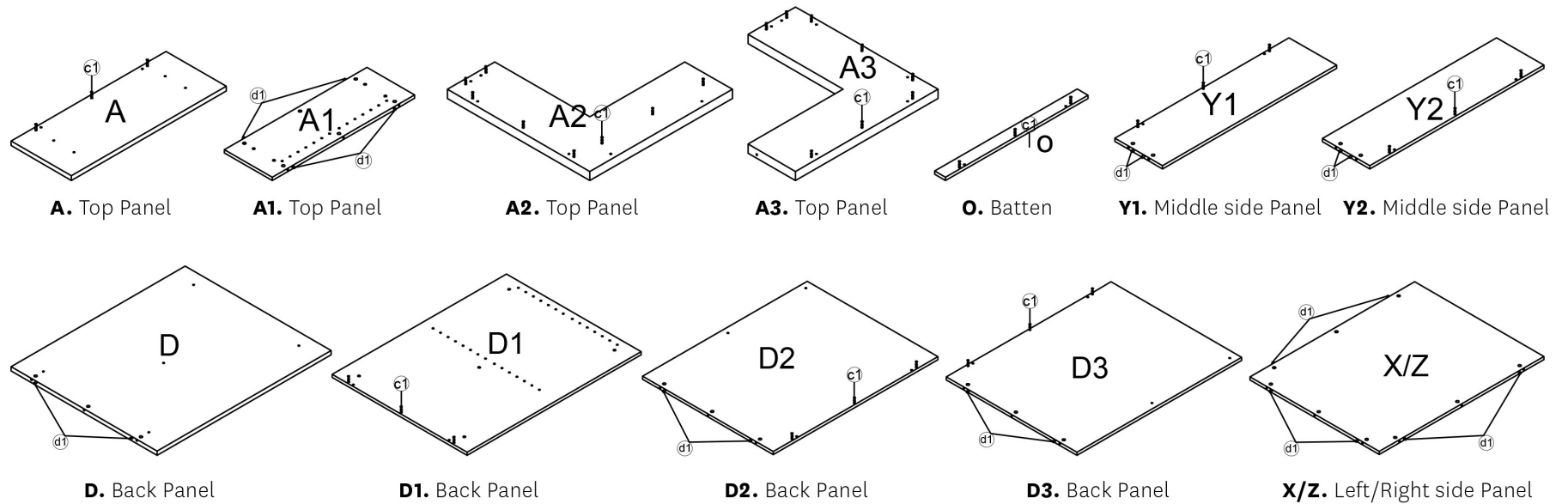
TOOLS REQUIRED: Powered screwdriver



Anvil Reception Counter

Installation Guide

PARTS



Pre-installed parts



Ⓒ Cam



Ⓒ1 6*35 Cam Bolt-37



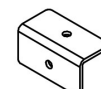
Ⓒ11 8*30 Dowel Pin-26



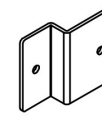
Ⓒ2 1/4" Cam Cover-46



Ⓒ11 6*12 Screw-12



Ⓒ1 Bracket-2



Ⓒ2 Bracket-4

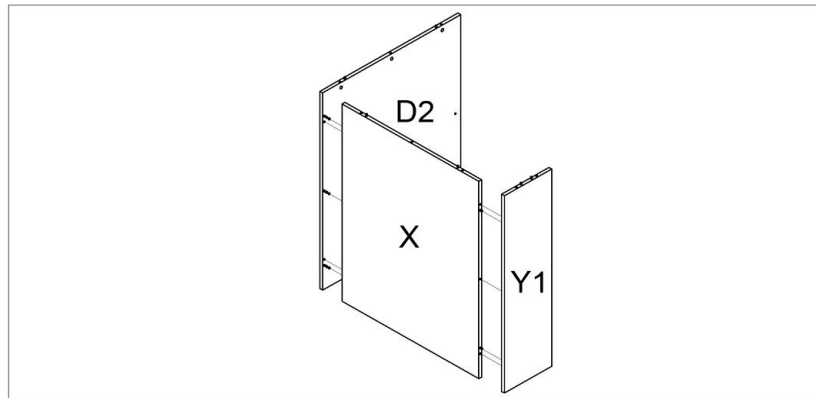
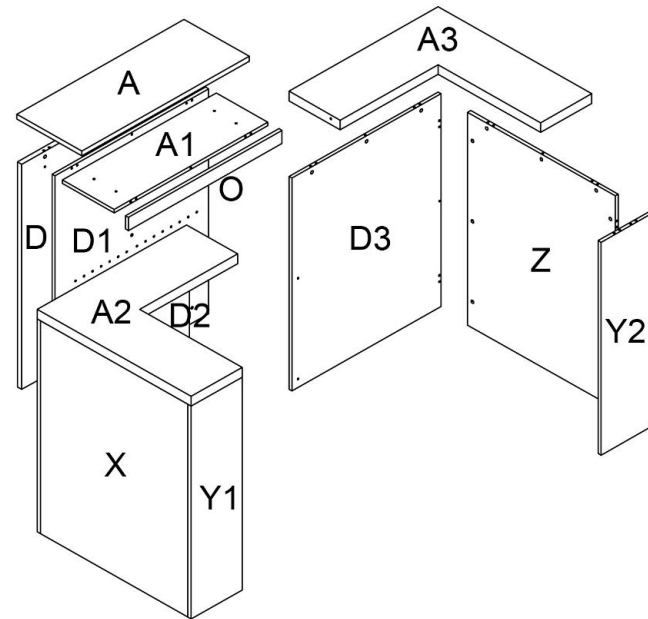
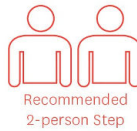


Ⓒ21 6*25 Screw-9

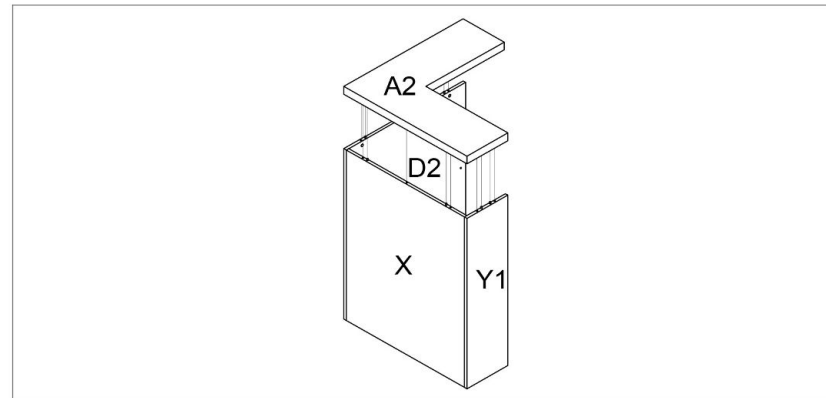
Anvil Reception Counter

Installation Guide

* To prevent possible scratches or damage, assemble the reception on a soft surface such as a blanket, carpet or packaging.



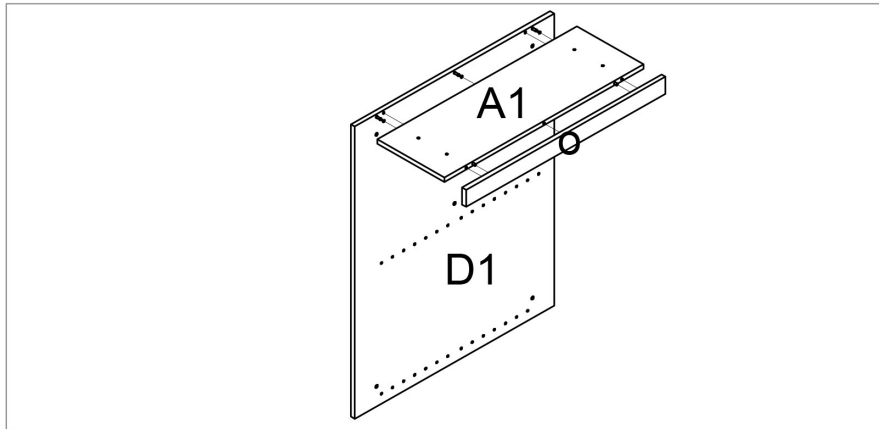
STEP 1



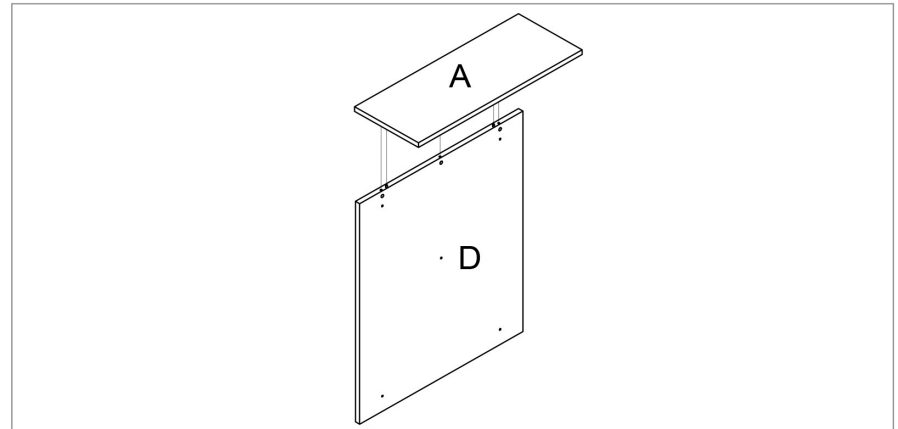
STEP 2

Anvil Reception Counter

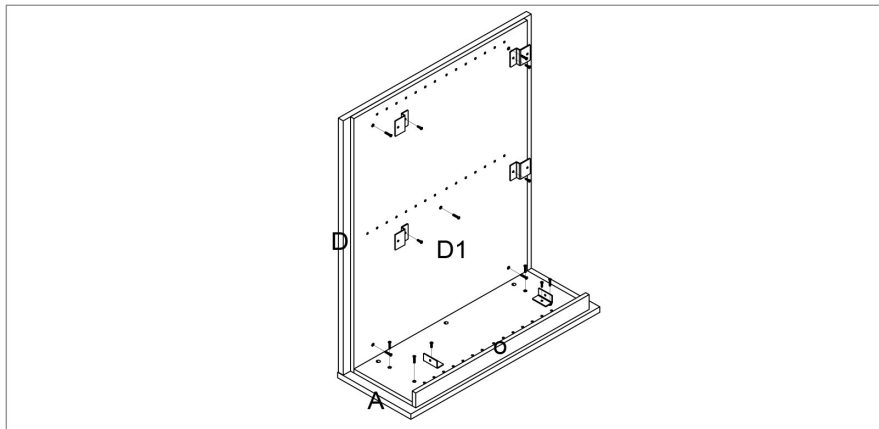
Installation Guide



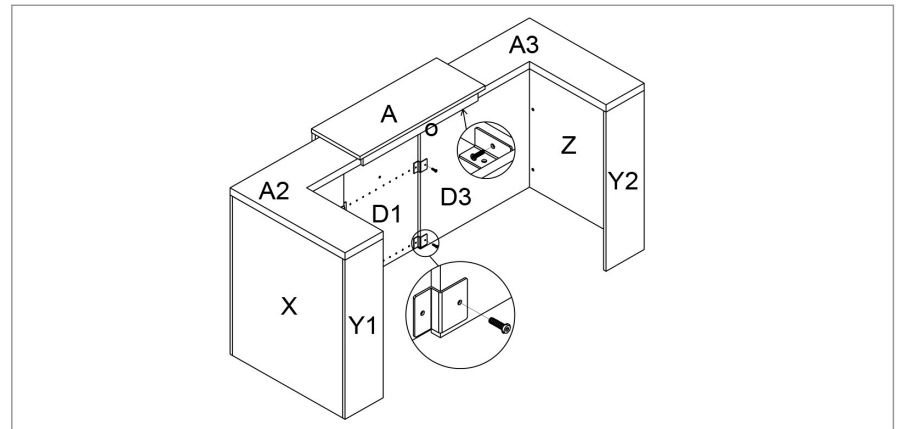
STEP 3



STEP 4



STEP 5



STEP 6