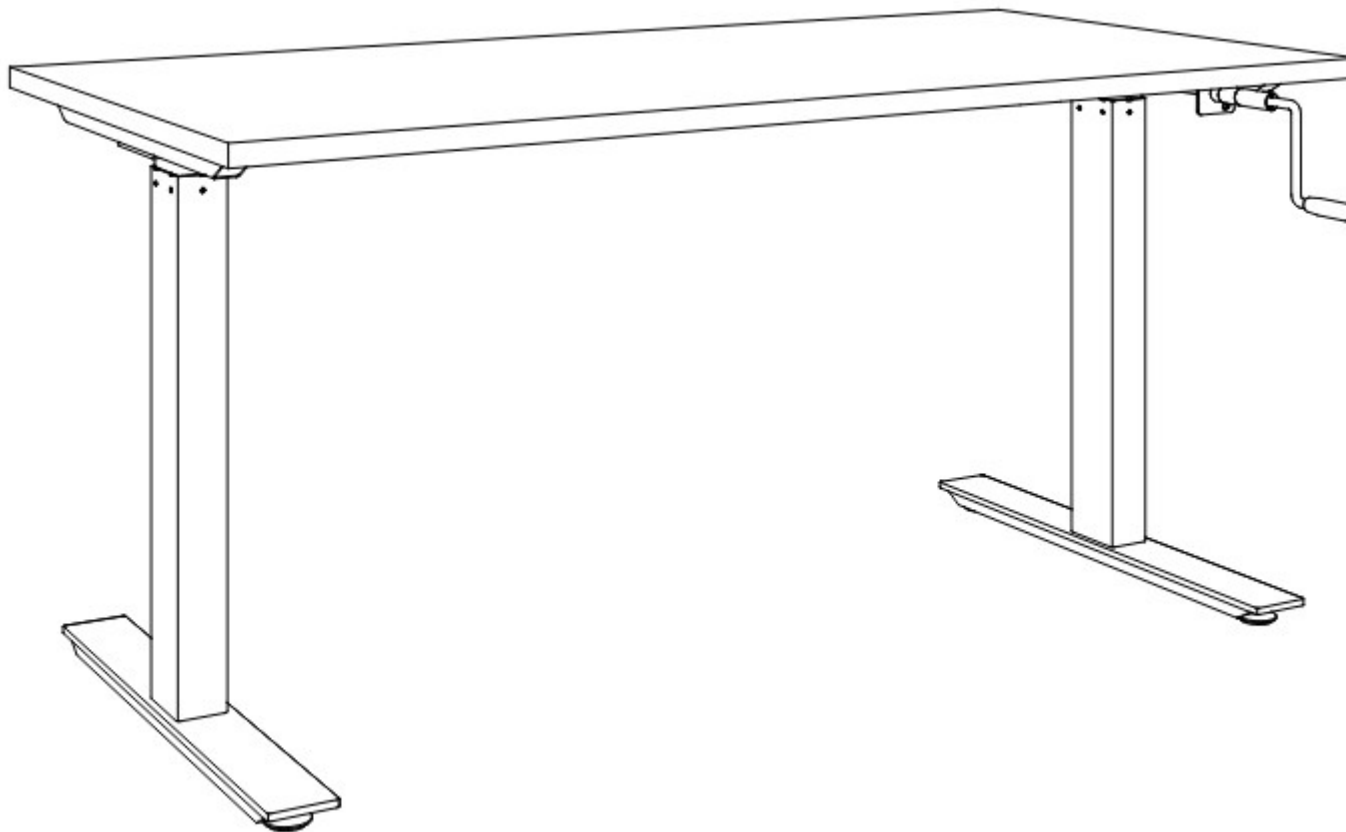
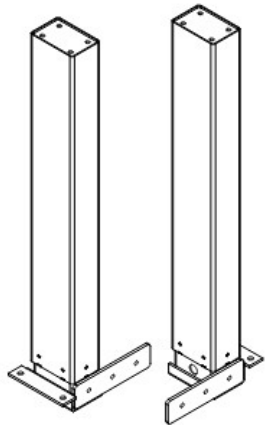


# Zentra

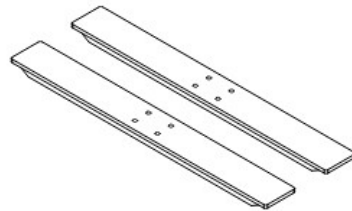
Installation Guide - Winder 2 Column



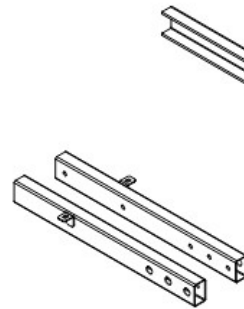
## Parts



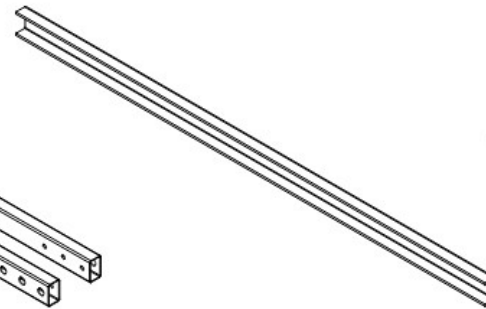
1 x Left & Right Leg Pair



2 x Foot



2 x Leg Rail



1 x Cross Rail



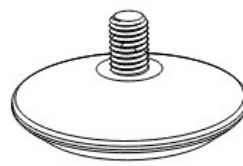
1 x Drive Shaft



1 x L&R Support Bar Pair



1 x Winder



4 x Levelling Foot



8 x M8x25



10 x M8x10



4 x M10x25

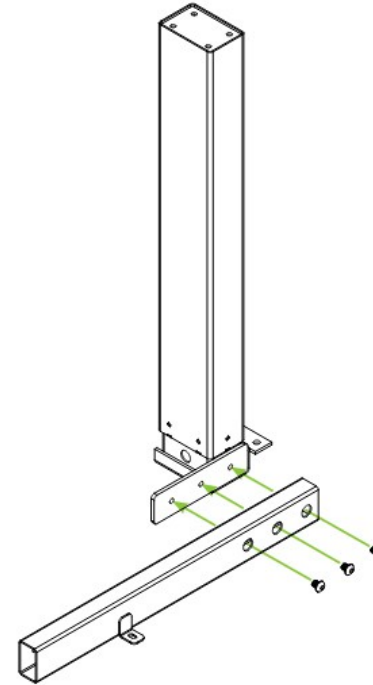
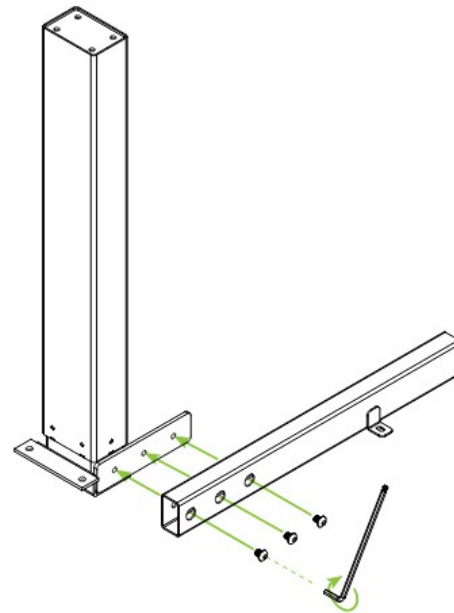


6 x ST5.0x22

## Step 1



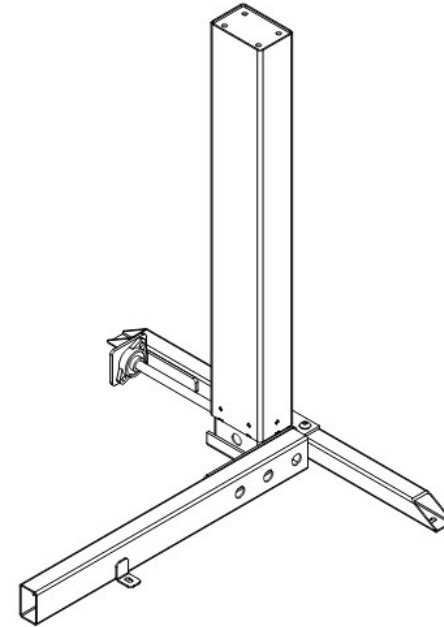
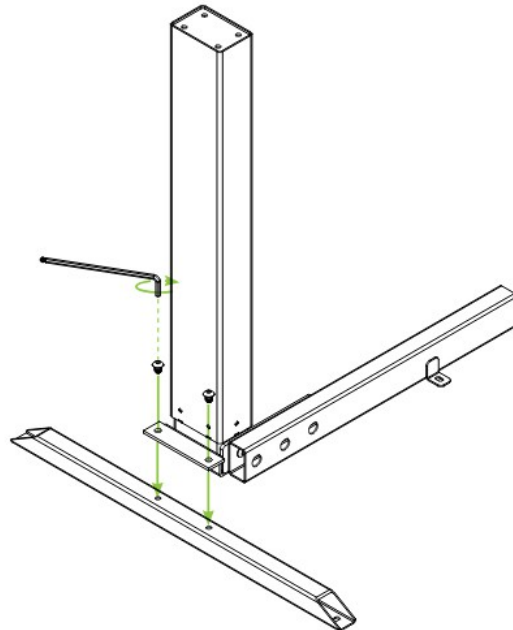
6 x M8x10



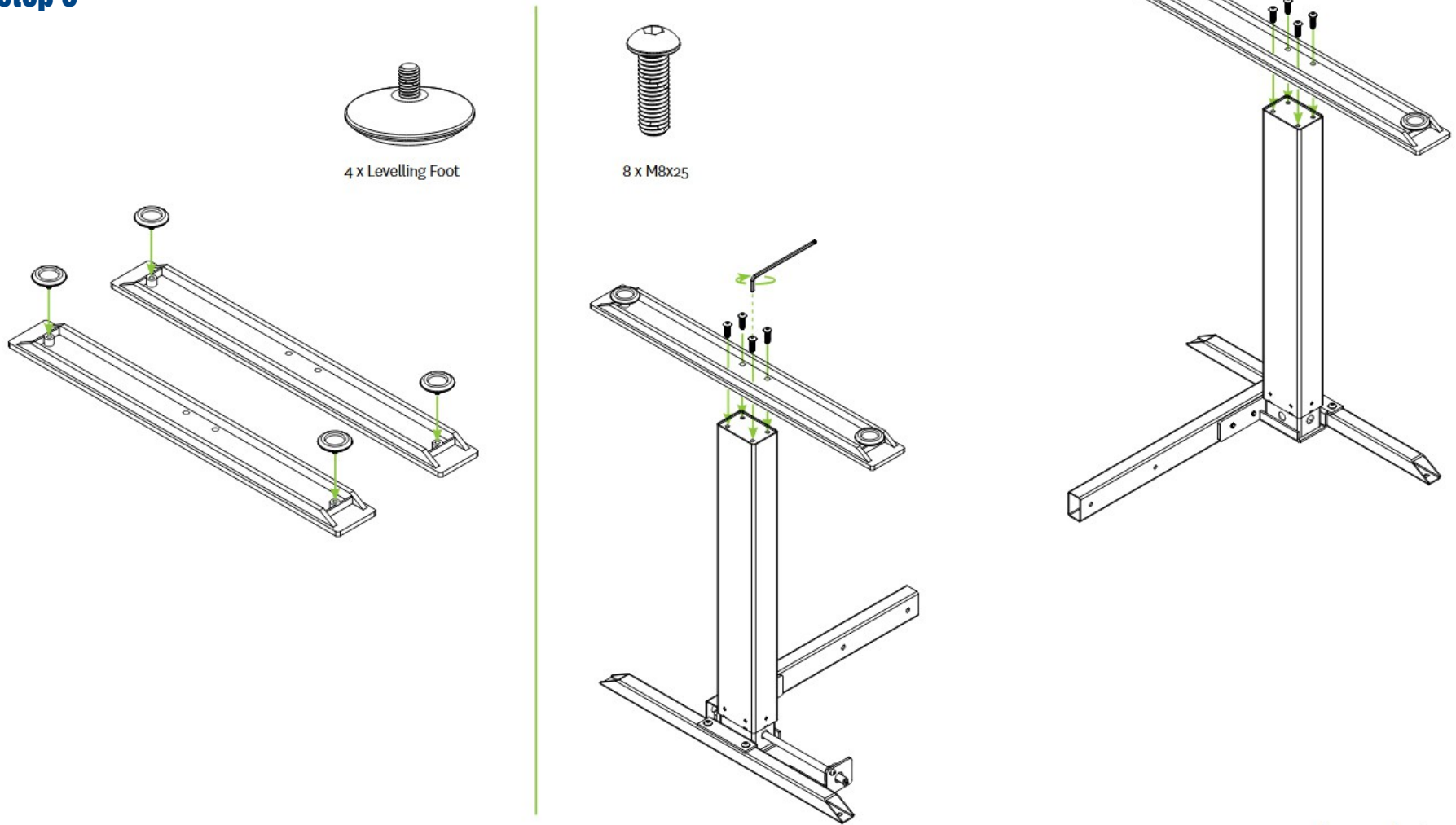
## Step 2



4 x M8x10



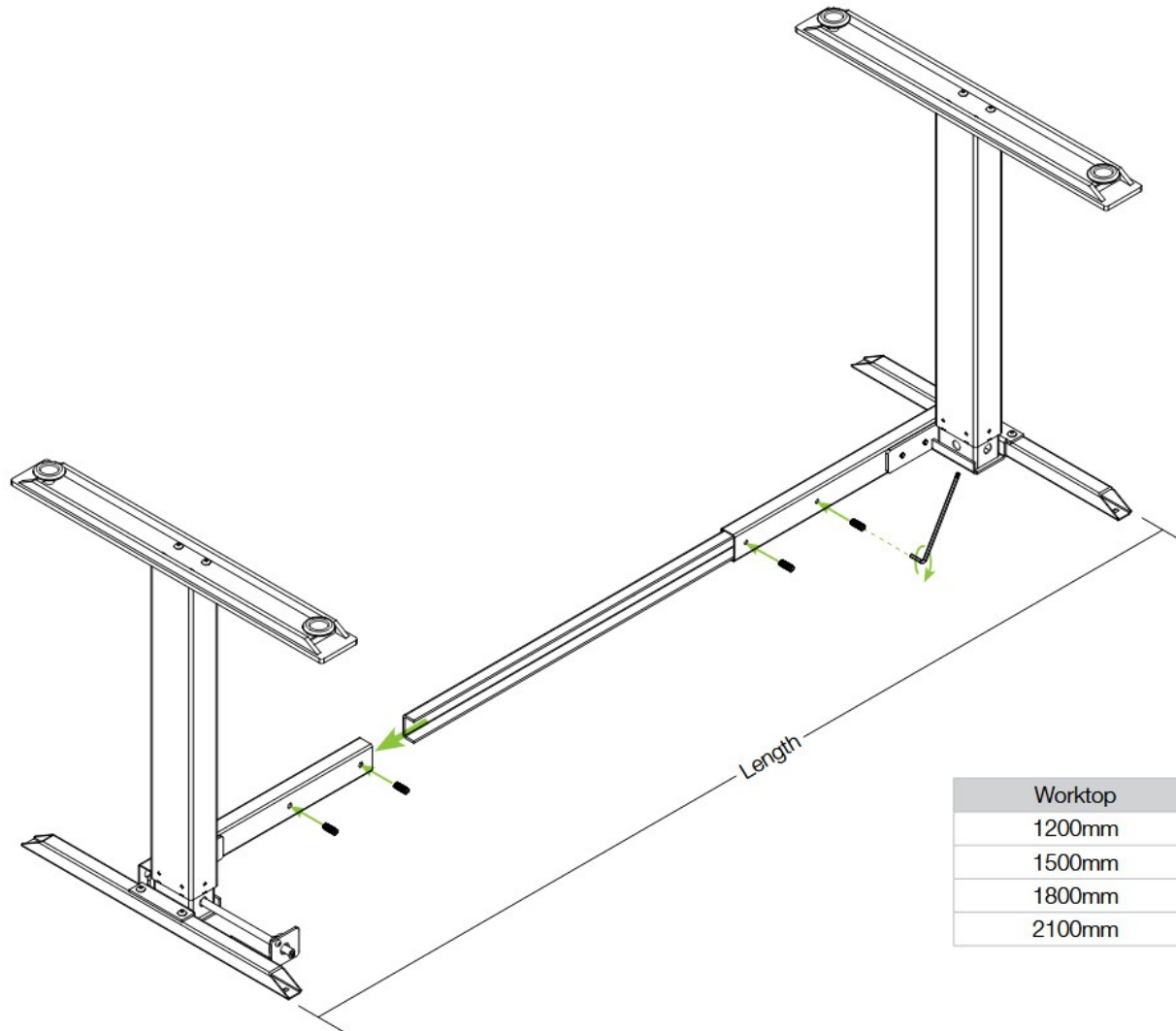
## Step 3



## Step 4

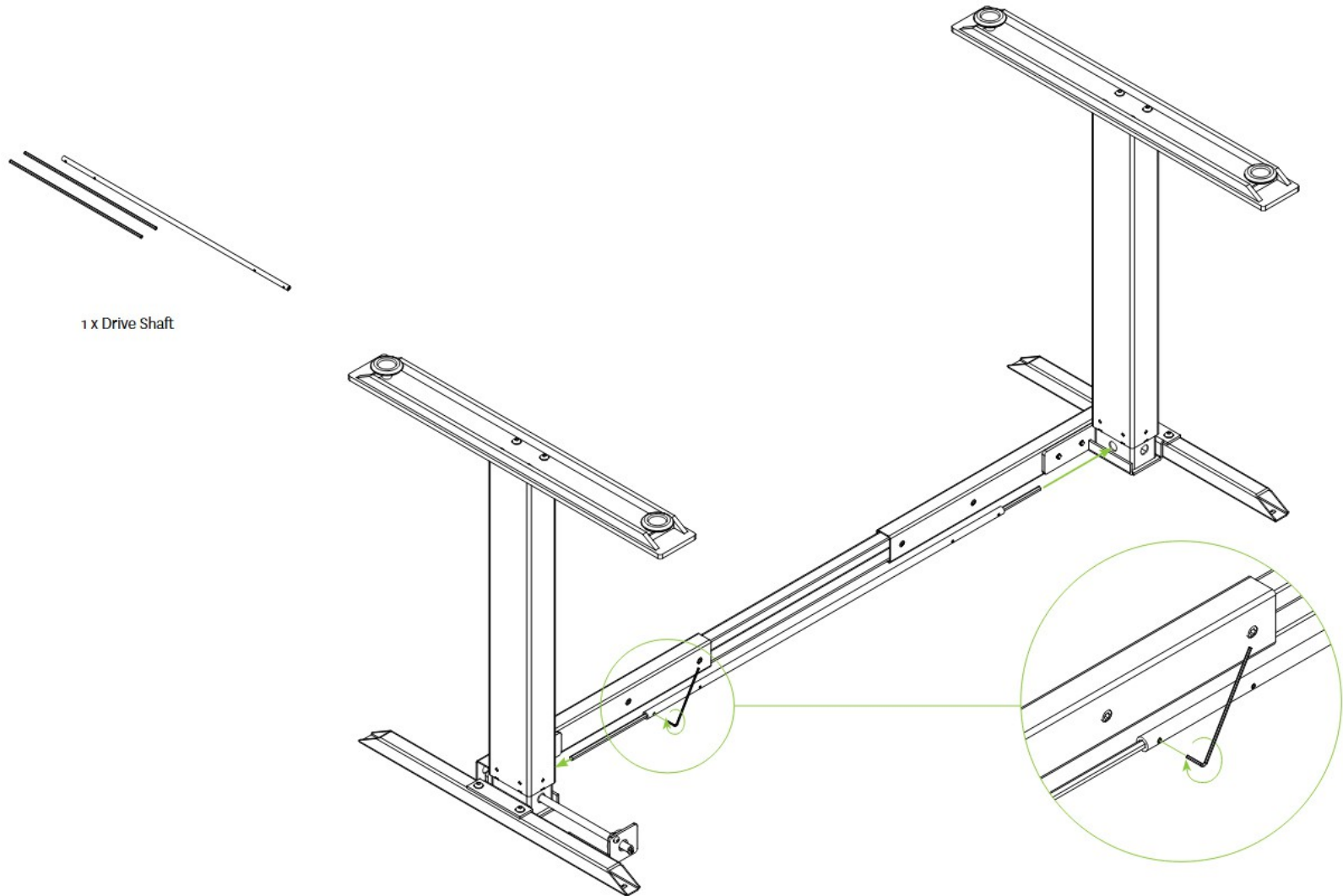


4 x M10x25



Worktop	Length
1200mm	1125mm
1500mm	1425mm
1800mm	1725mm
2100mm	2025mm

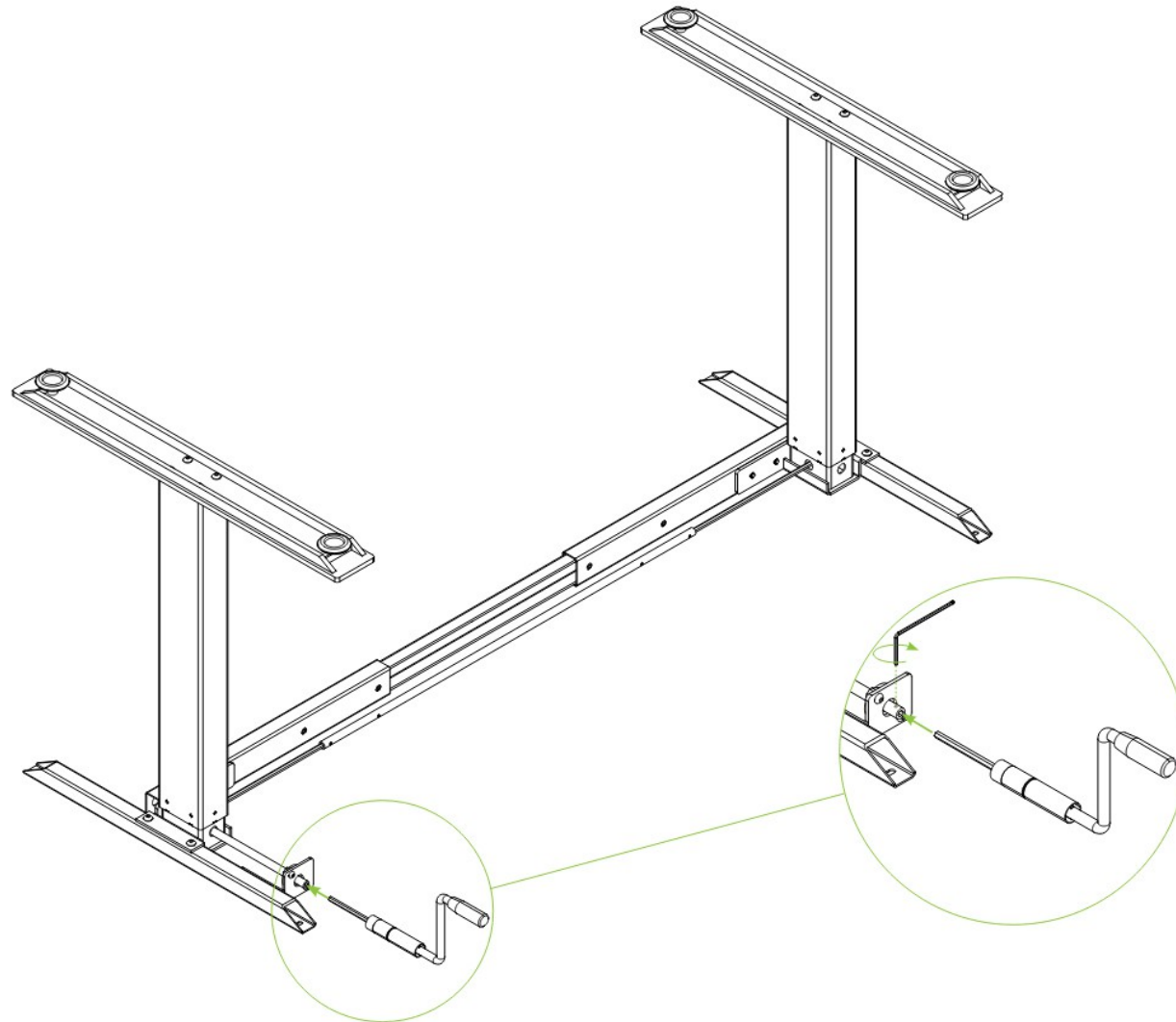
## Step 5



## Step 6



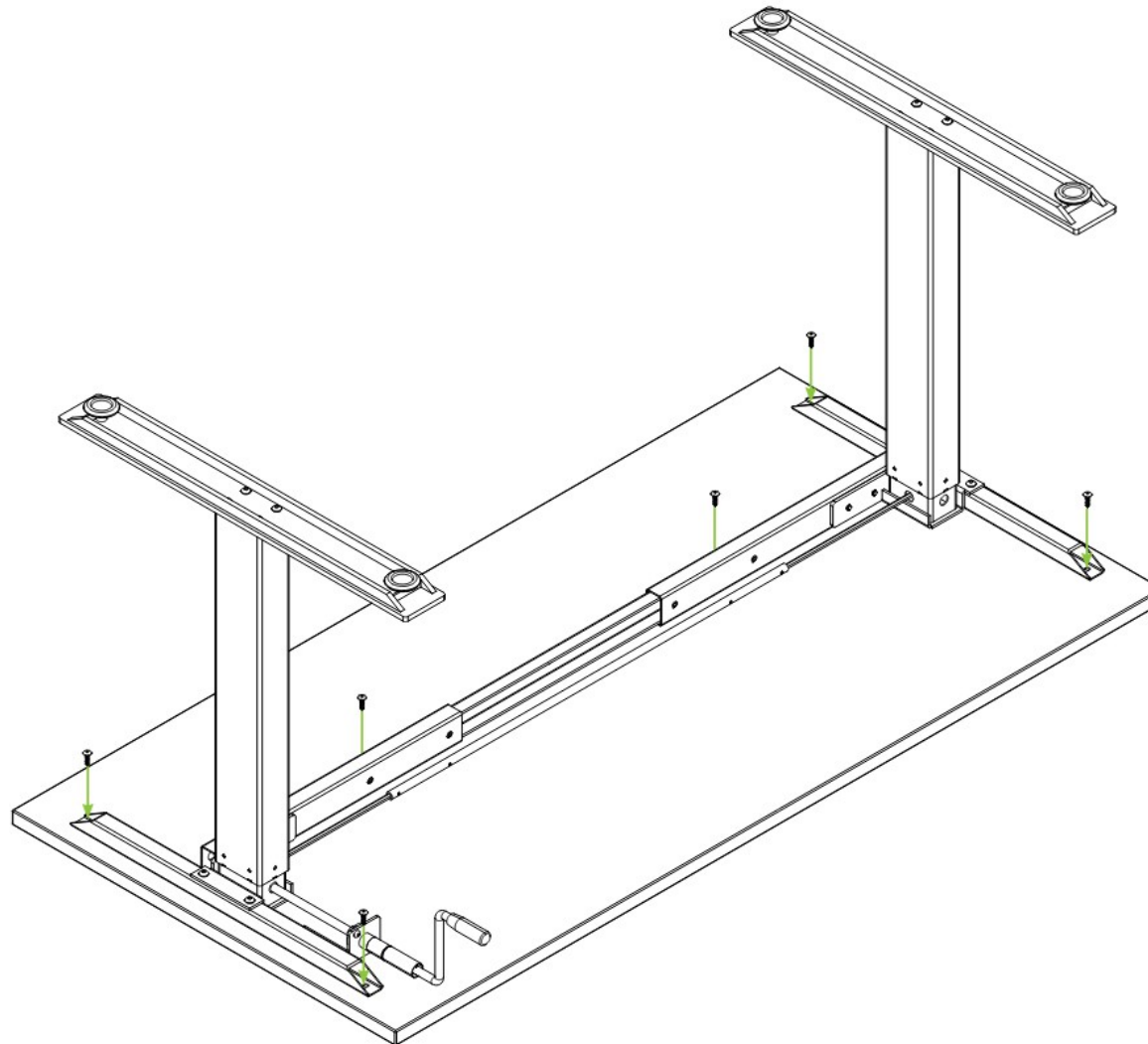
1 x Winder



## Step 7



6 x ST5.0x22



## Completed

