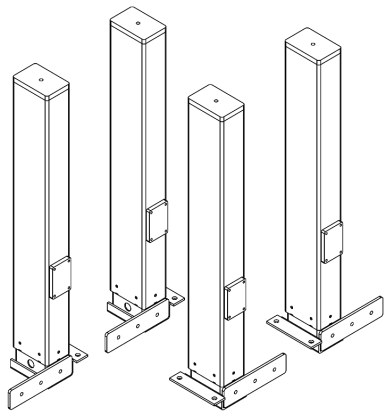
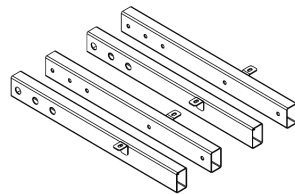


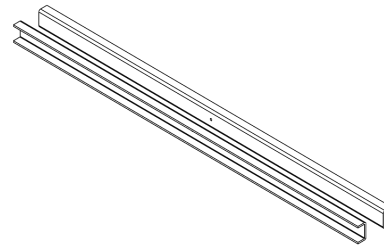
Parts



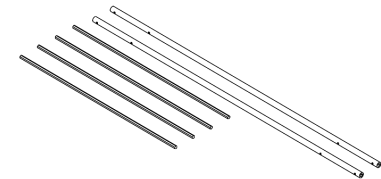
2 x L&R Leg Pair



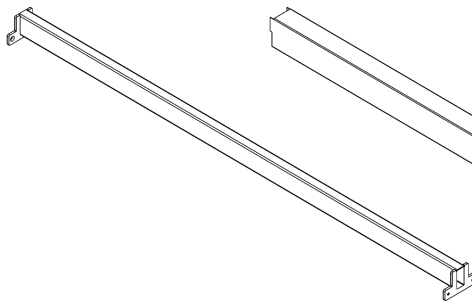
2 x L&R Leg Rail Pair



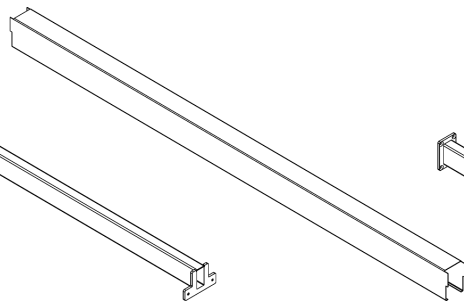
2 x Cross Rail



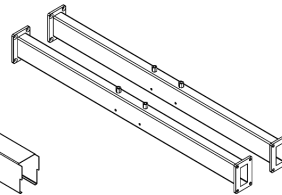
2 x Drive Shaft



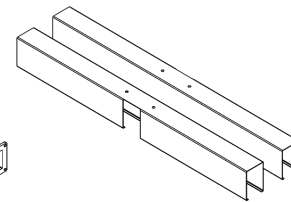
1 x Cross Beam



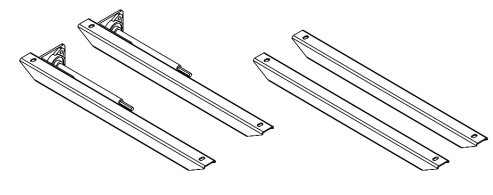
1 x Cross Beam Cover



2 x Leg Beam

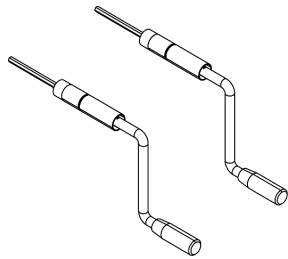


2 x Leg Beam Cover

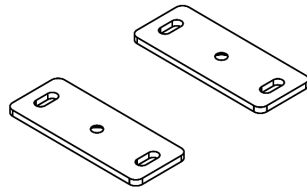


2 x L&R Support Bar Pair

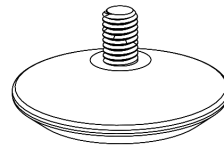
Parts



2 x Winder



2 x Screen Bracket



4 x Levelling Foot



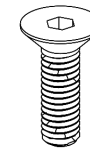
8 x M10x25



20 x M8x10



12 x ST5.0x22



2 x M6x20



4 x M5x15

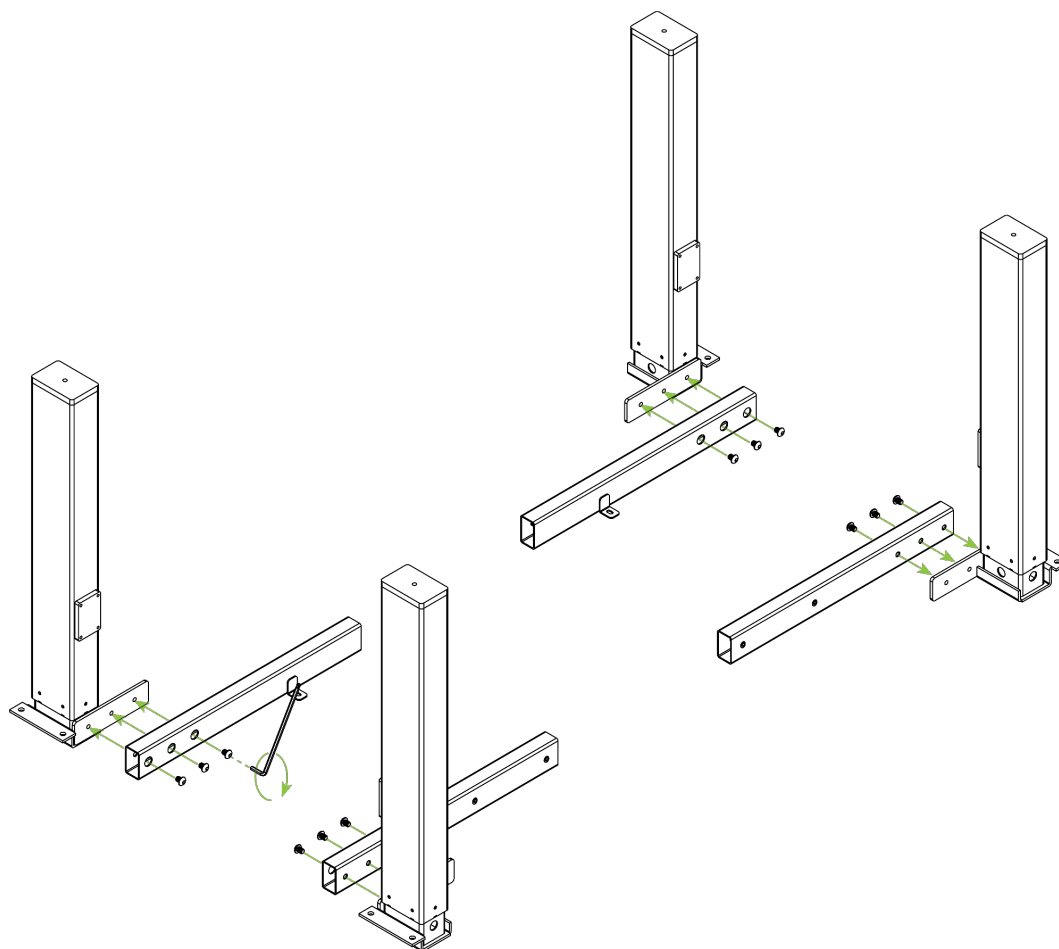


20 x M5x12

Step 1



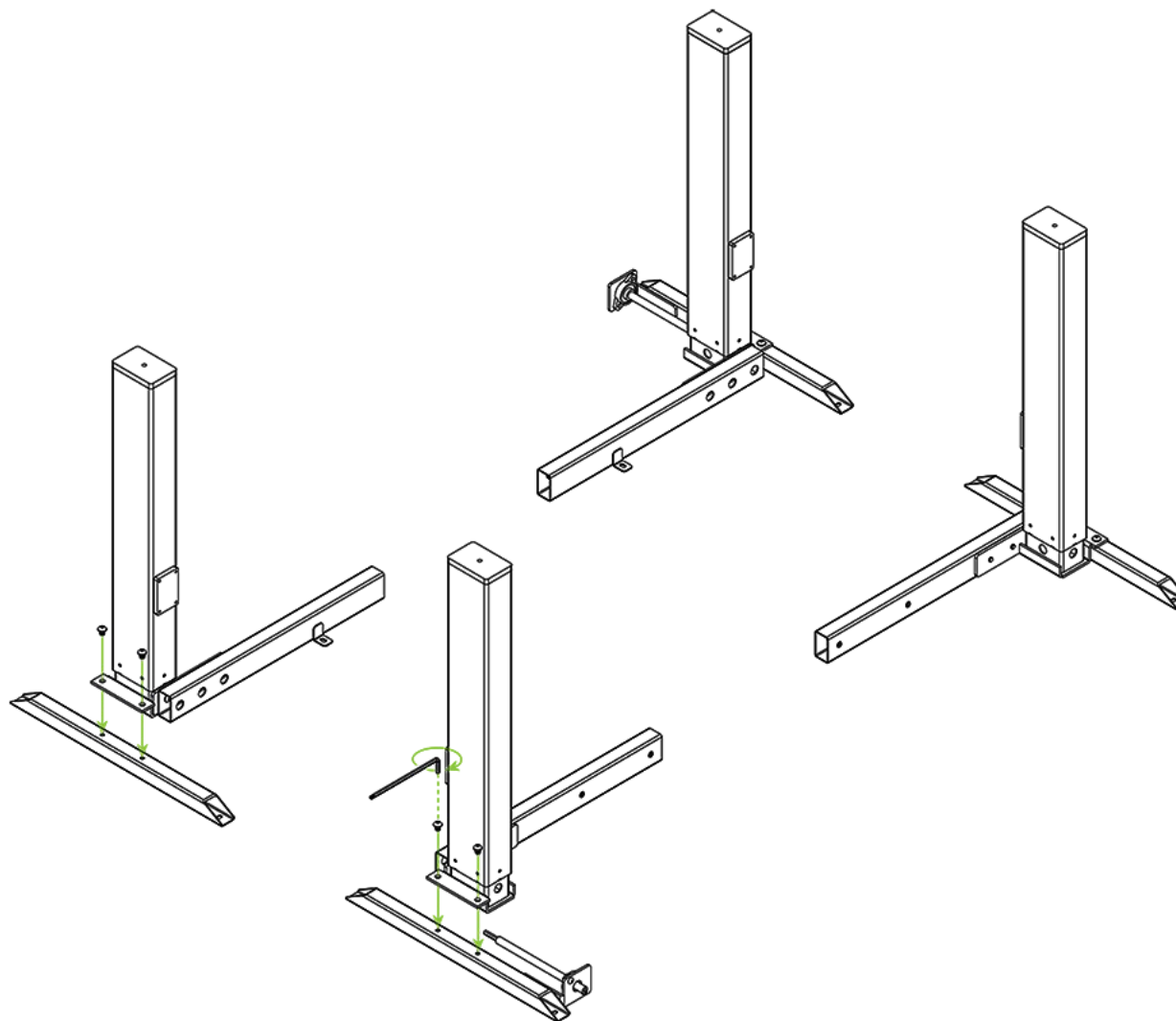
12 x M8x10



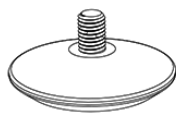
Step 2



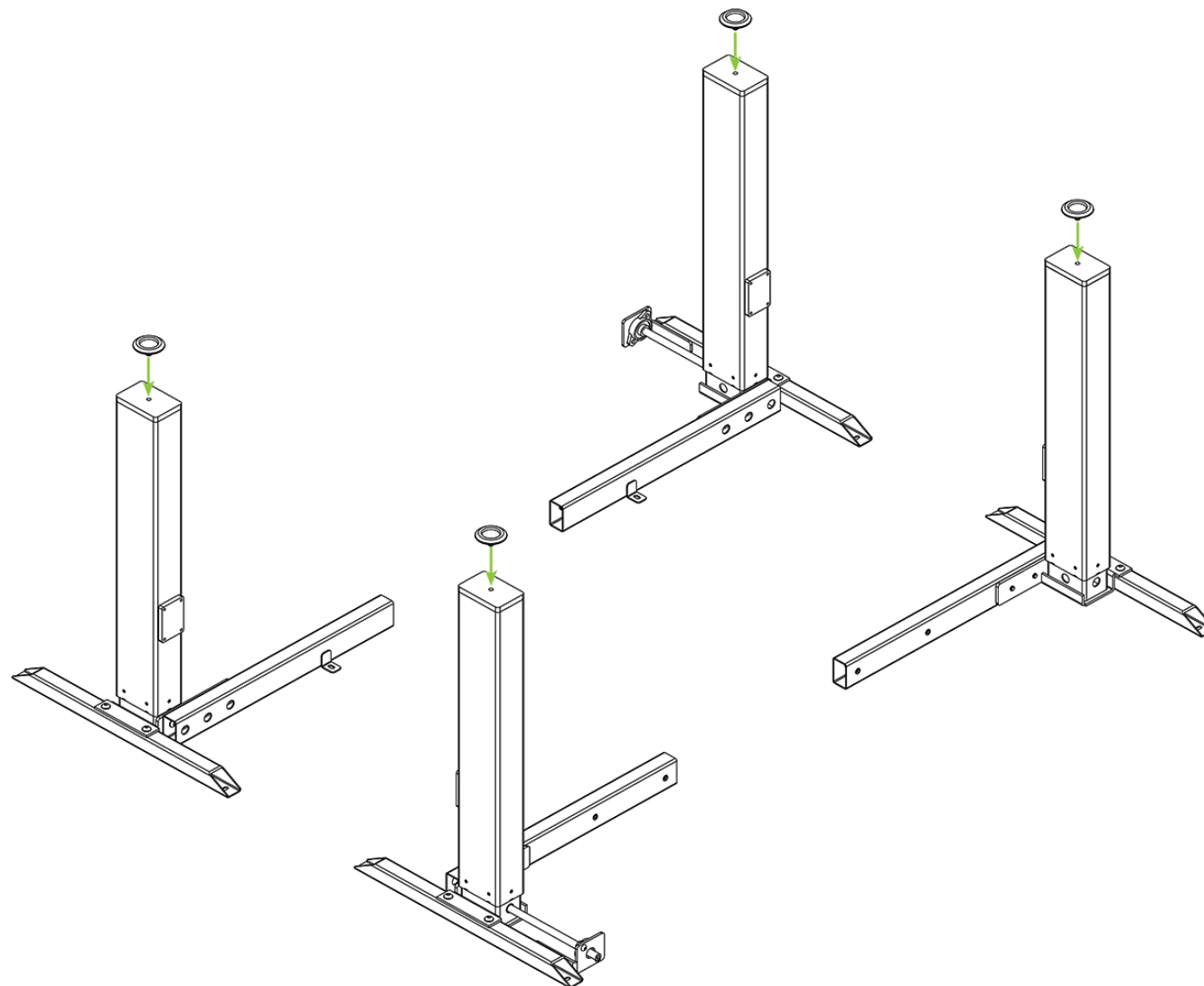
8 x M6x10



Step 3



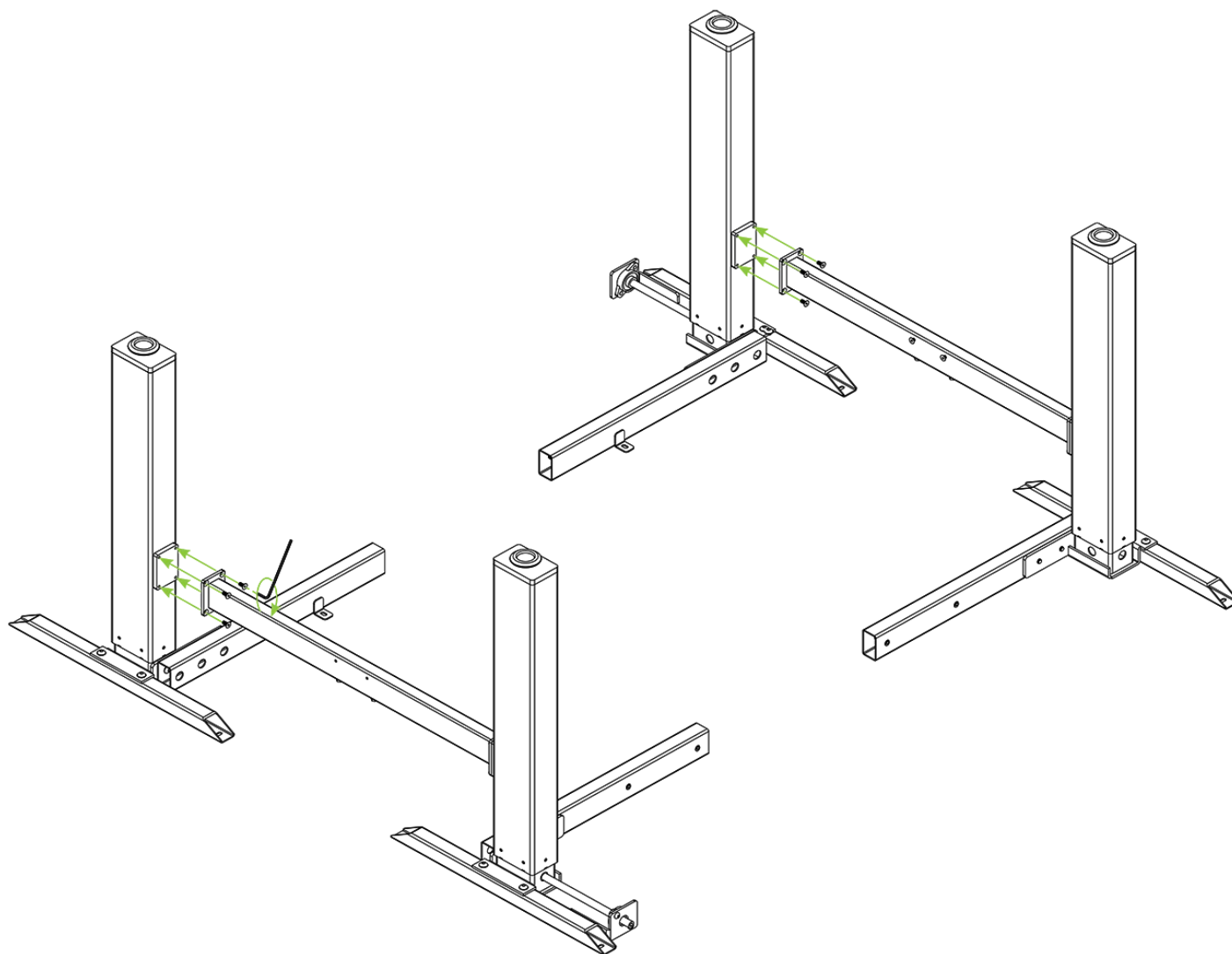
4 x Levelling Foot



Step 4



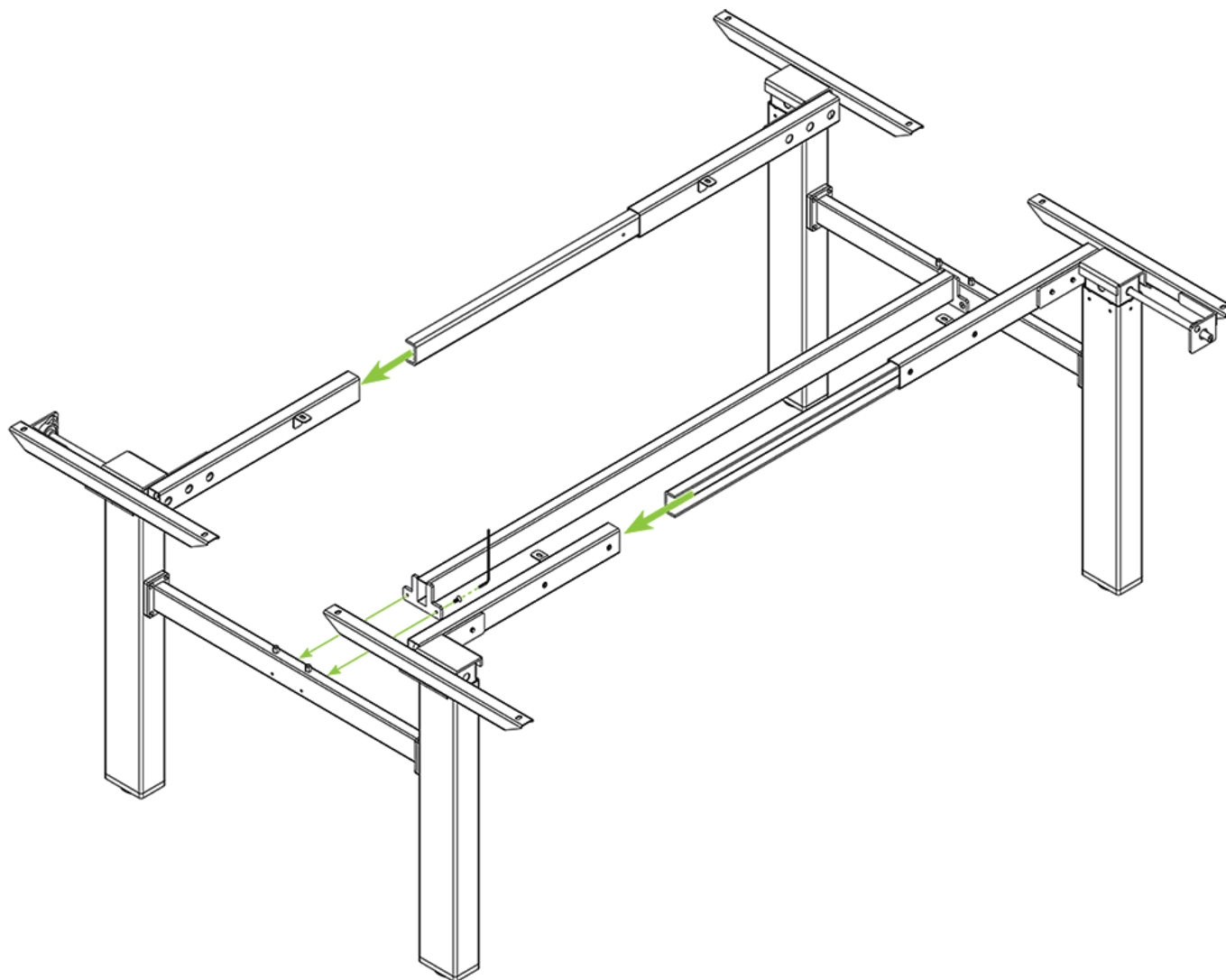
16 x M5x12



Step 5



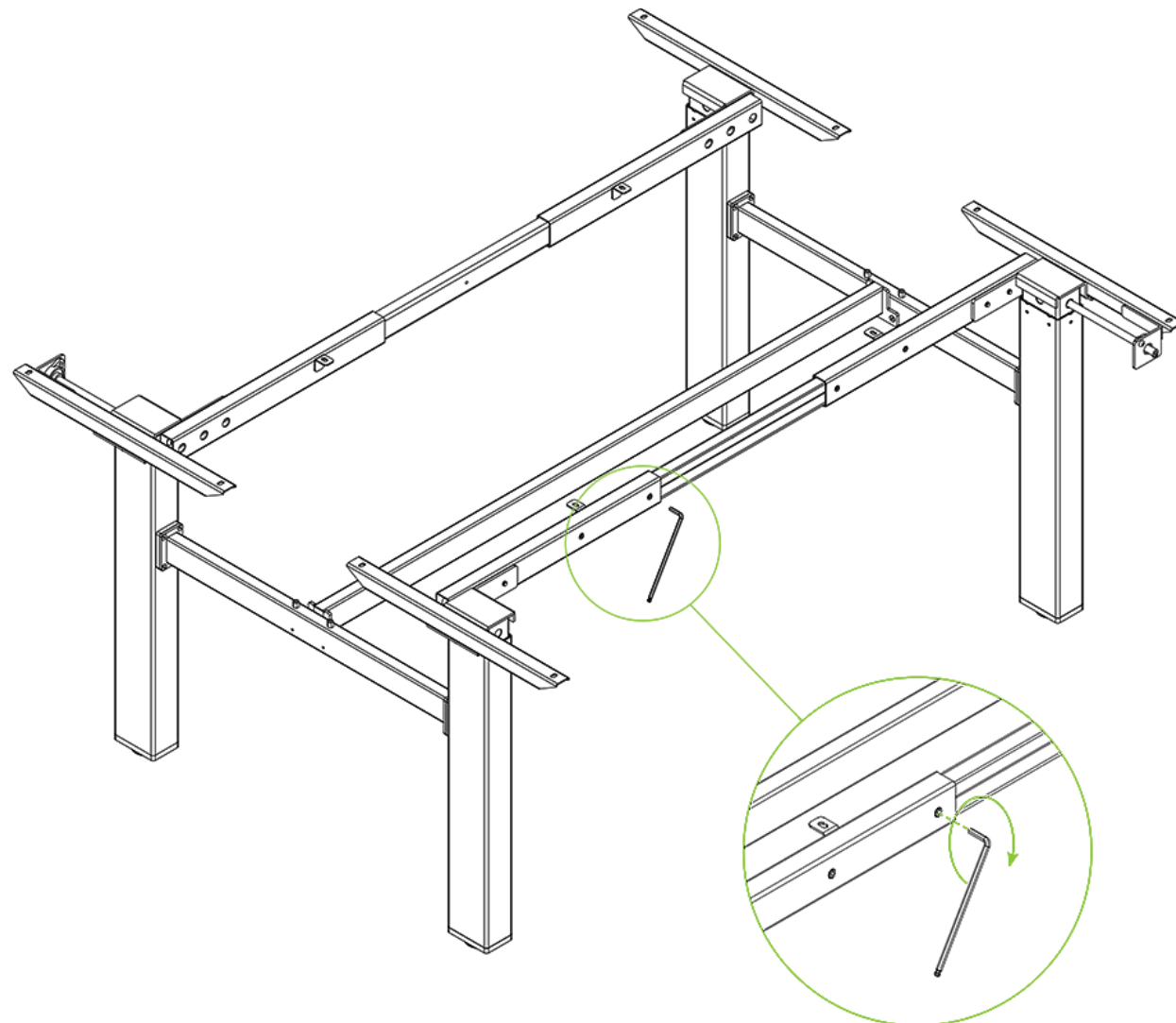
4 x M5x12



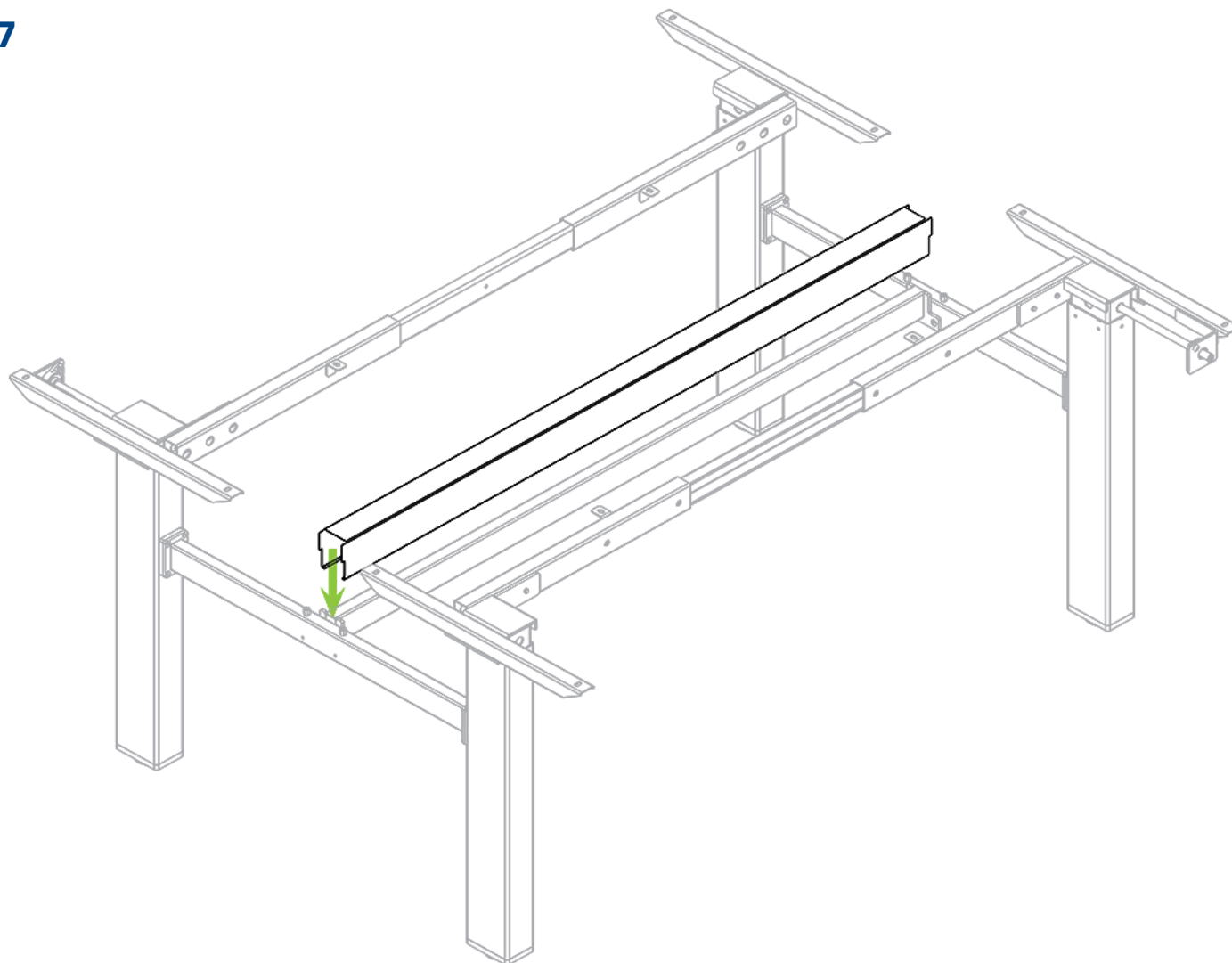
Step 6



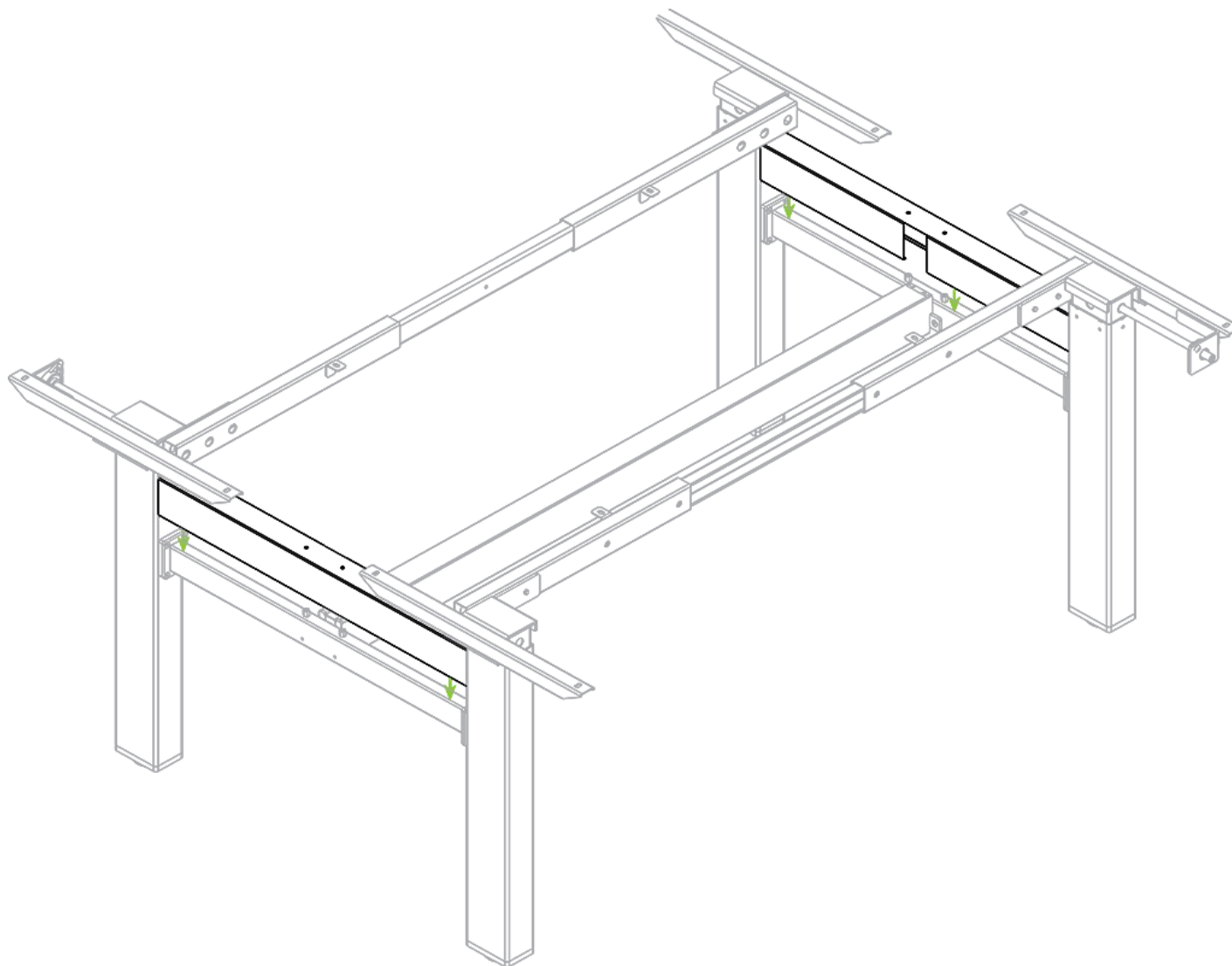
8 x M10x25



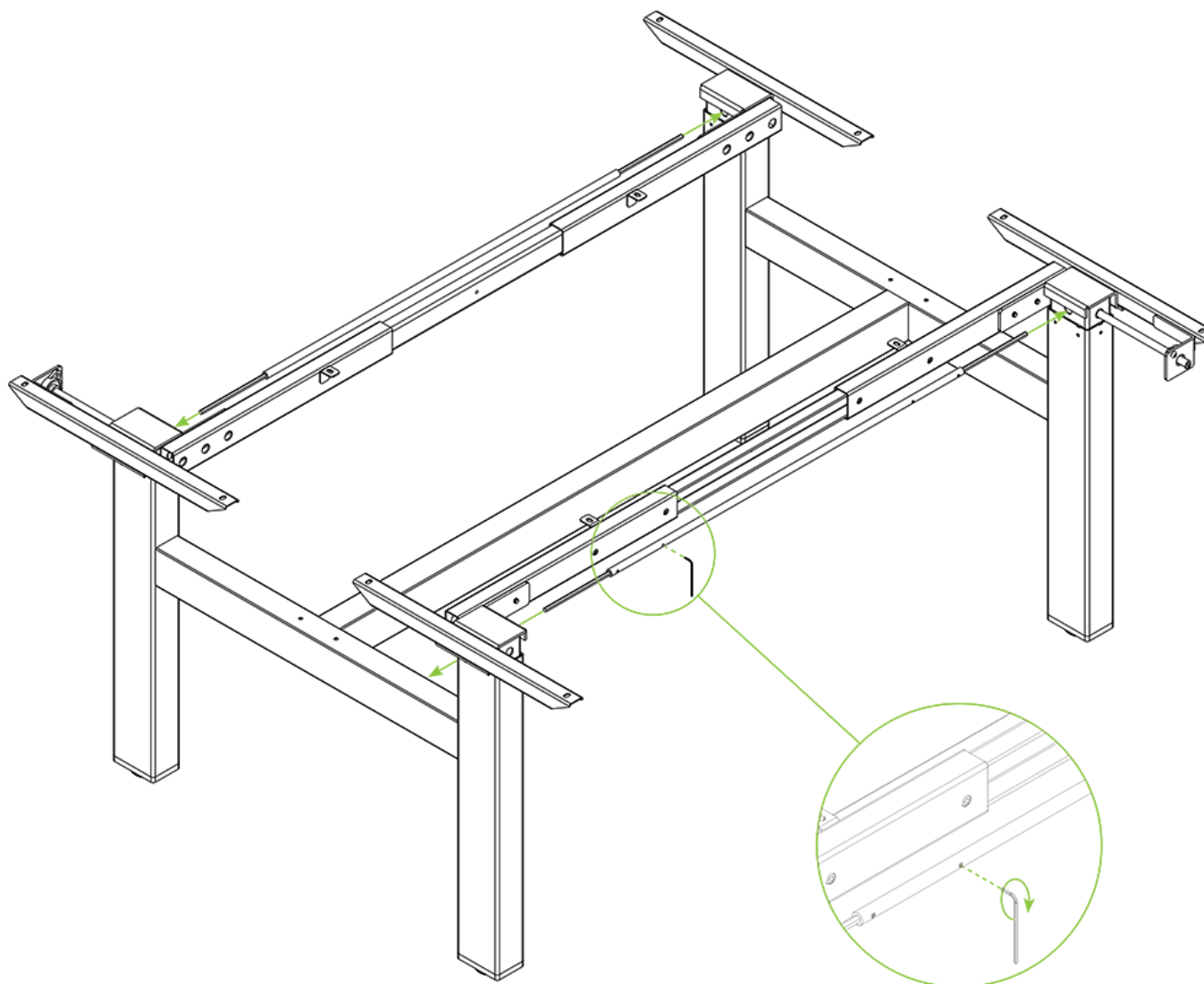
Step 7



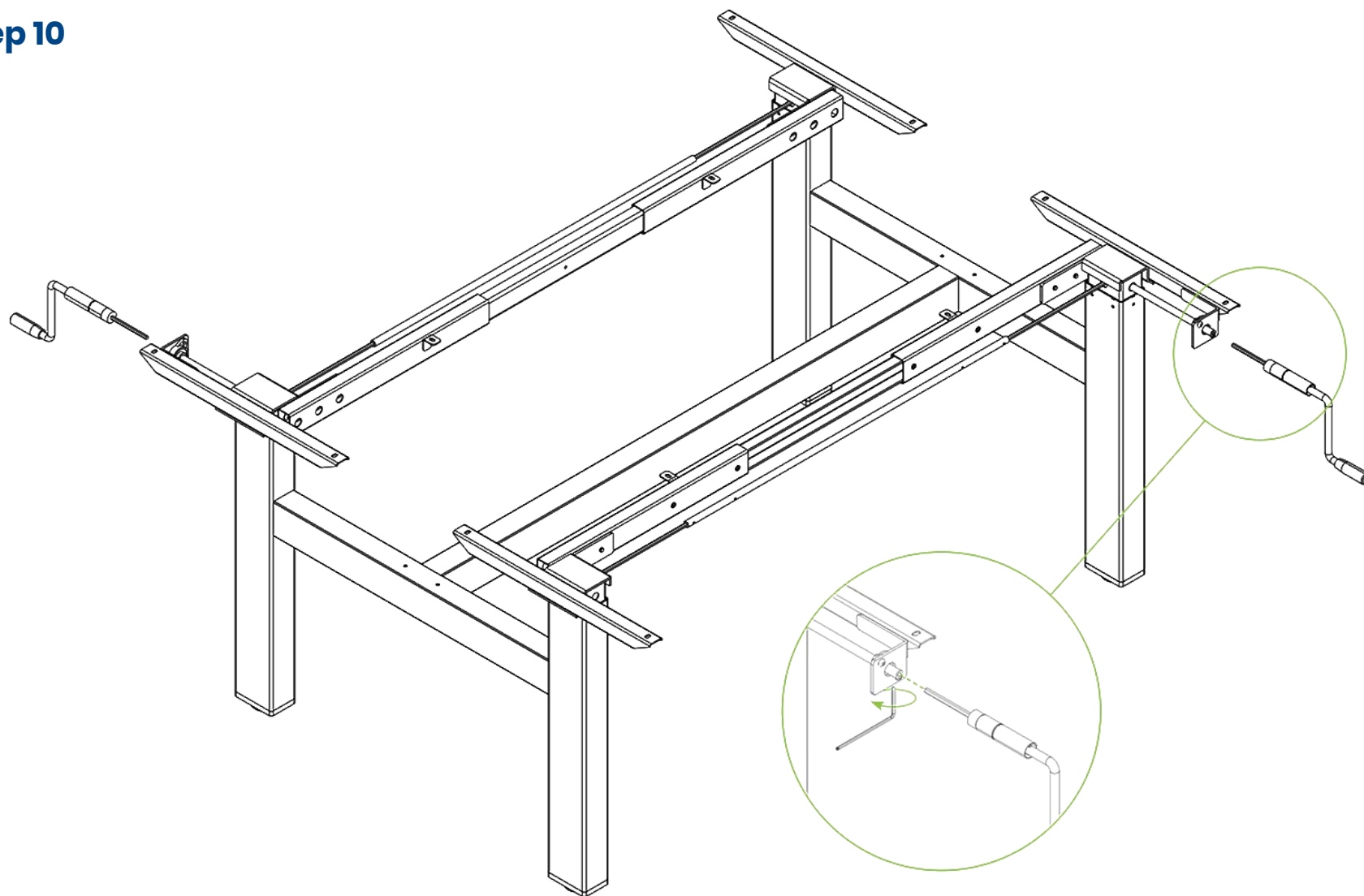
Step 8



Step 9



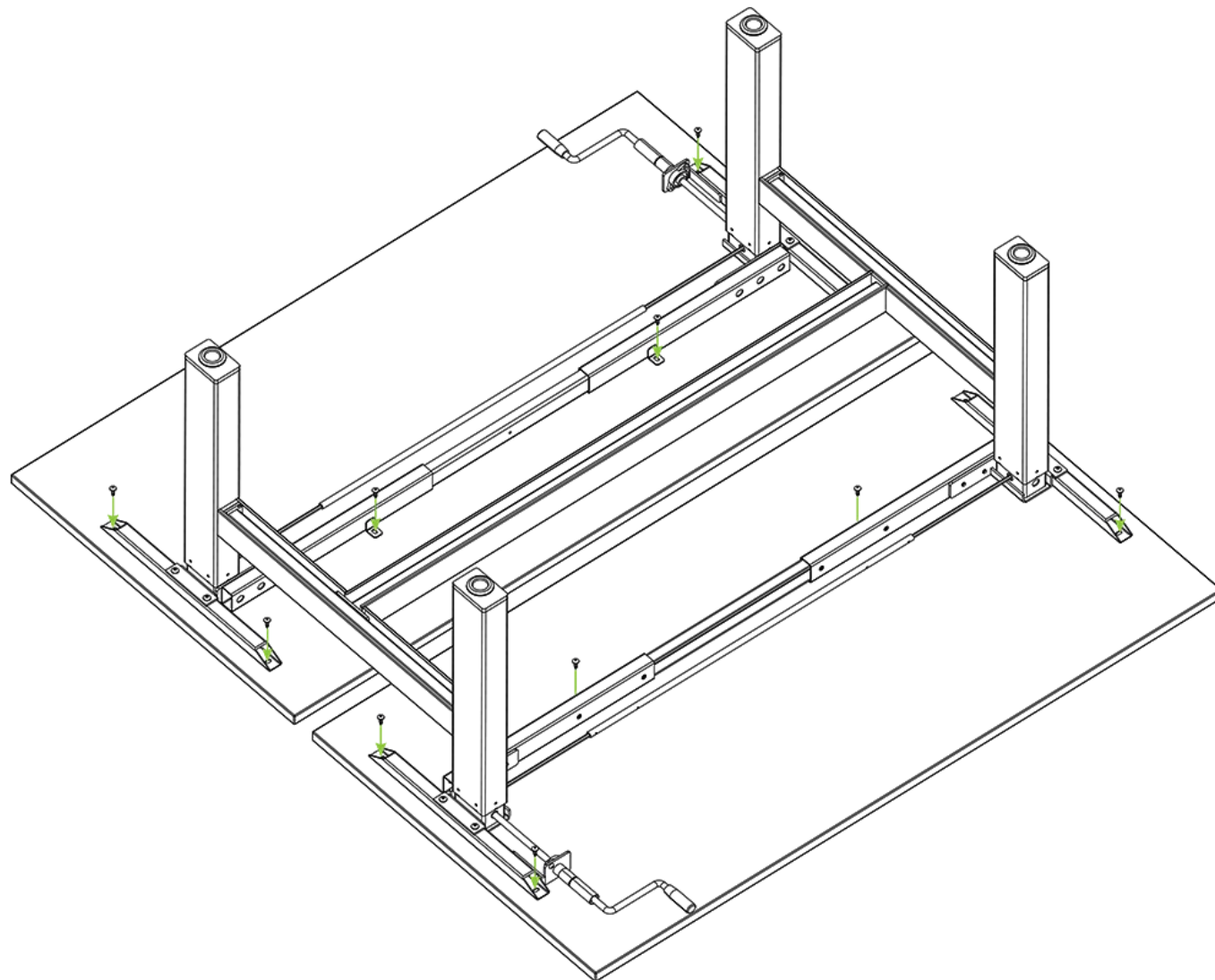
Step 10



Step 11



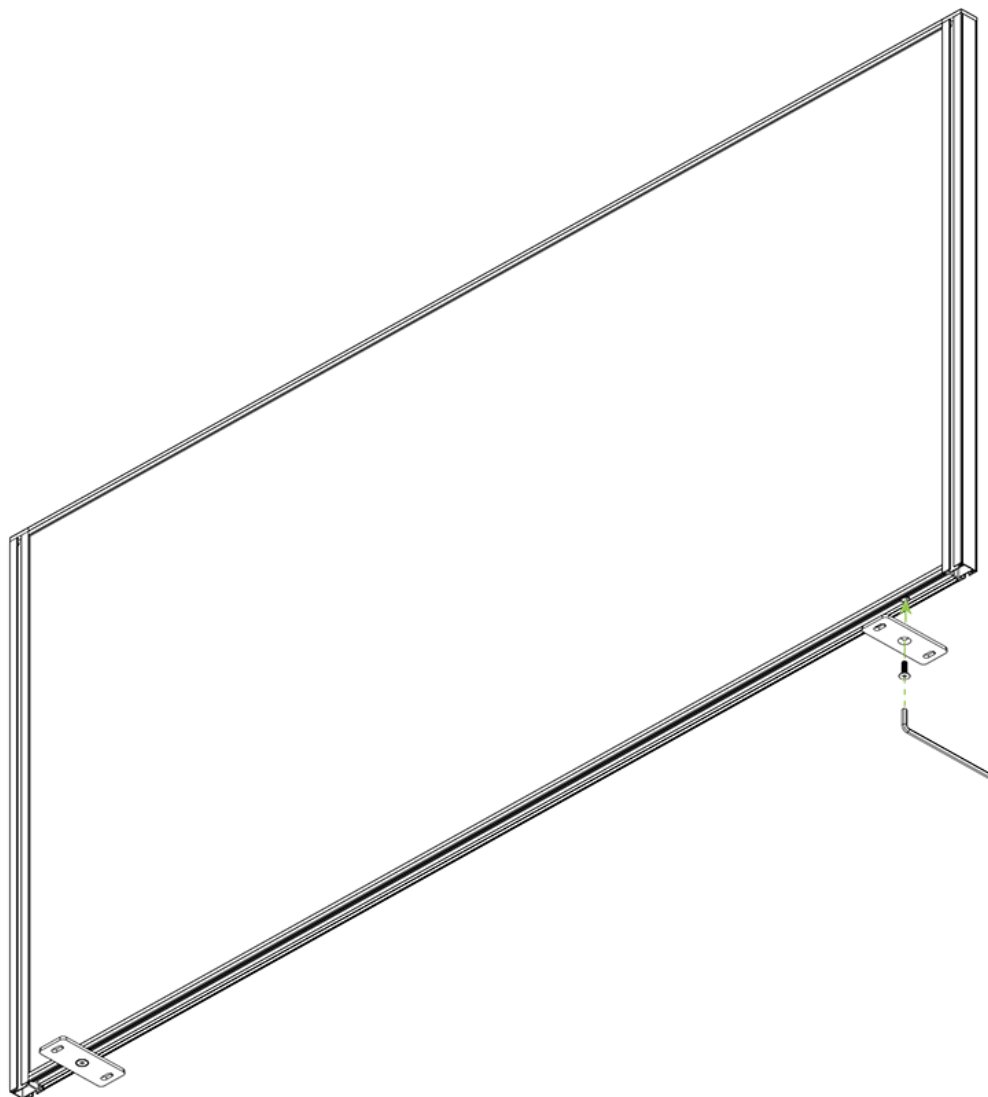
12 x ST5.0x22



Step 12



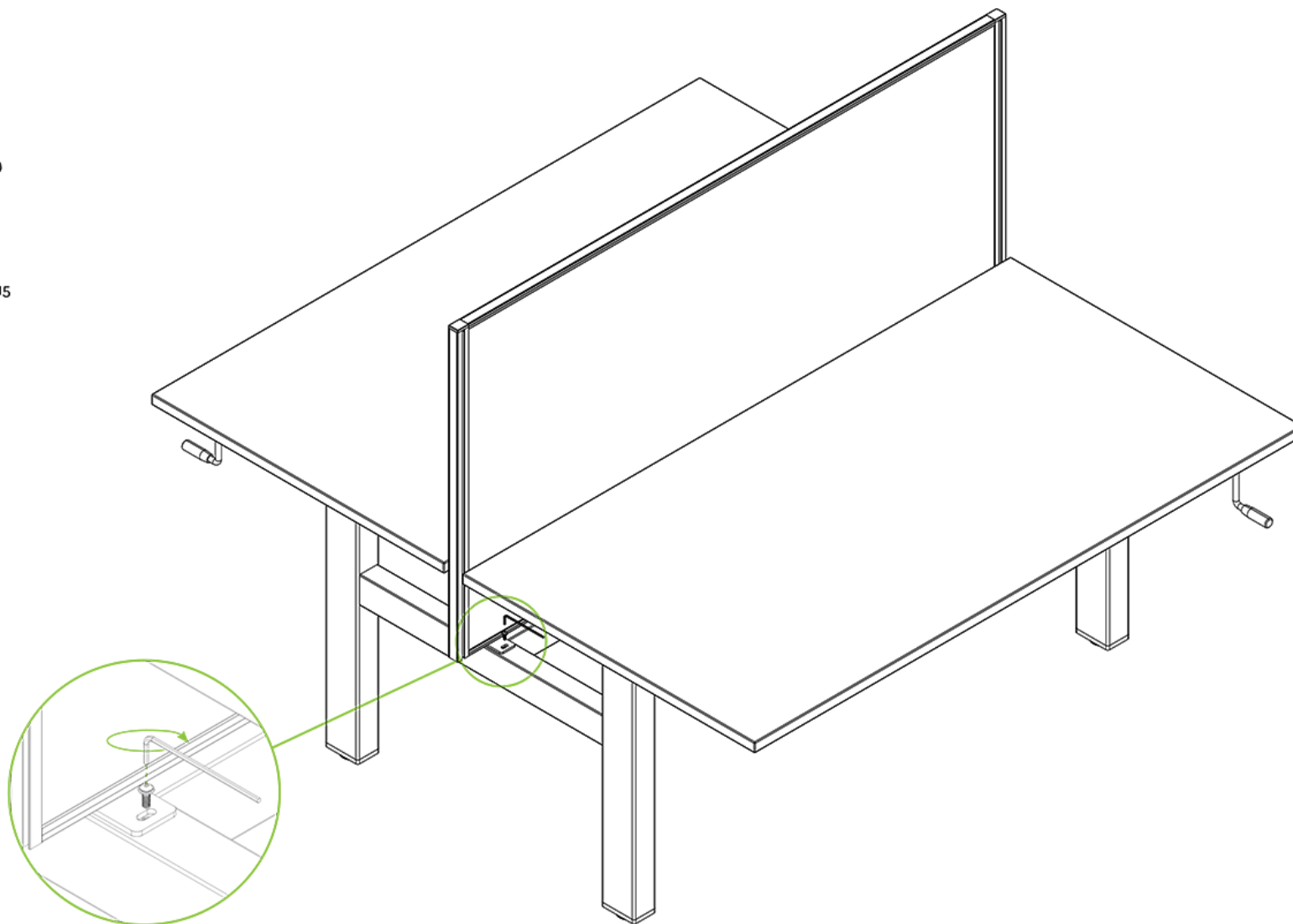
2 x M6x20



Step 13



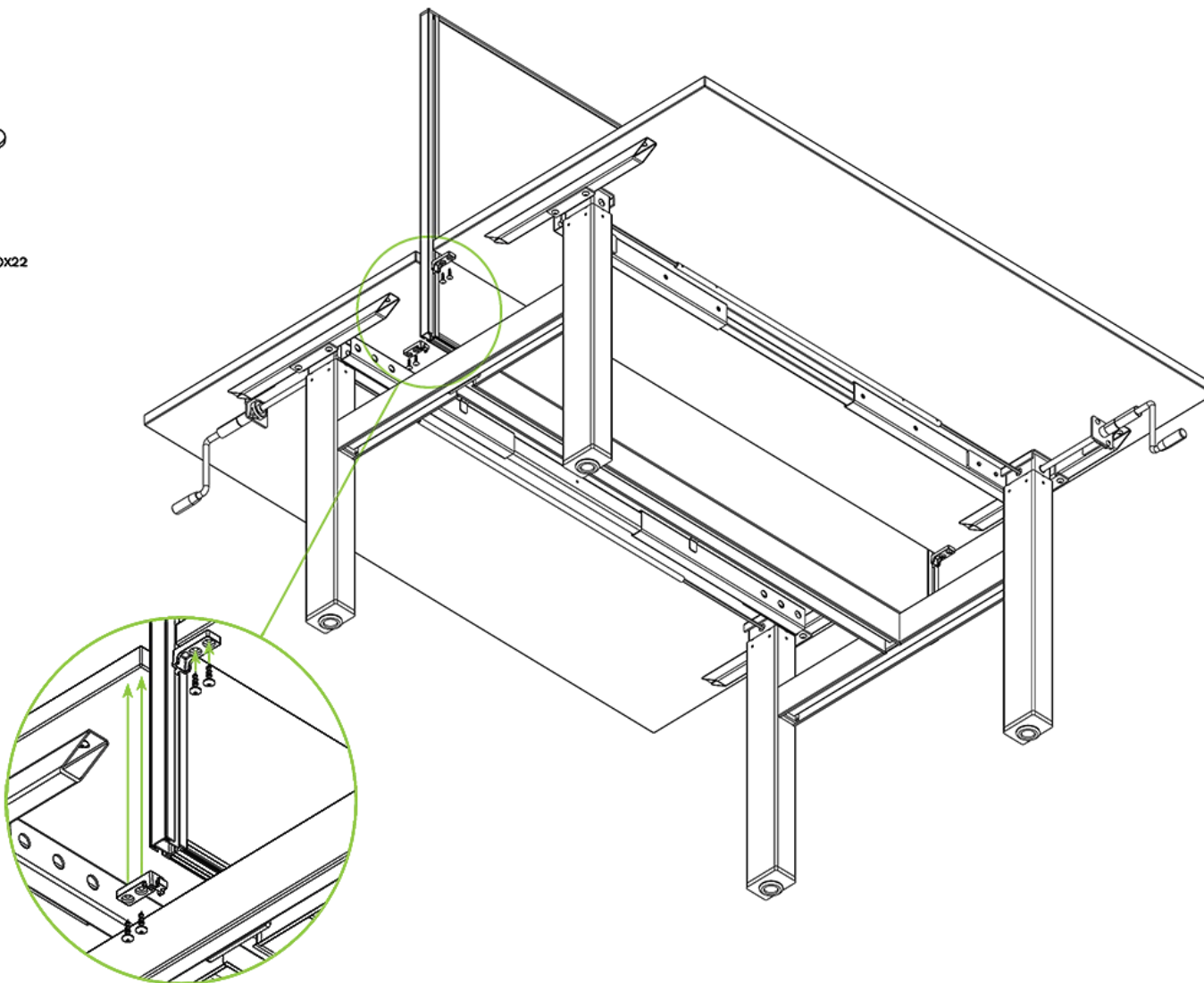
4 x M5x15



Step 14



8 x ST5.0x22



Completed

