

ASSEMBLY INSTRUCTIONS:

Product Code : VIENNA

Product Name: Tommi Mesh Chair



TIME REQUIRED:

20 minutes

TOOLS REQUIRED:

Screwdriver, Electric Drill, Pencil, Measuring tape/Ruler

*Tools are not included.

SKILL REQUIRED:

Easy  Hard

The Assembly Skill Rating is a 5-point system that shows the degree of effort needed in assembling a specific product. With 1 being easy for the average person and 5 requiring an expert. For most products, two persons are recommended.

NOTE

- As this is a commercial product, some intermediate skills may be required.
 - No pre-drill holes or markings are provided on our table or desk tops.
 - Please check you have all hardware before assembling.
- If you are missing any hardware, please contact your Rapidline reseller. Please ensure you have the name of the item, required hardware part and quantity.
 - Please retain your receipt as proof of purchase to validate your warranty.
- Assemble on a clean, flat, smooth surface such as a rug or carpet to avoid parts from being scratched.
 - Remove all wrapping materials, including staples and packing straps before you start to assemble
 - Keep all hardware parts out of reach of children.





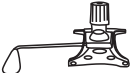











CAUTION

- Heavy product. Do not attempt to lift or move without help
- Do not tighten screws and bolts until completely assembled.
- Do not use this product unless all bolts and screws are firmly secured and tightened.

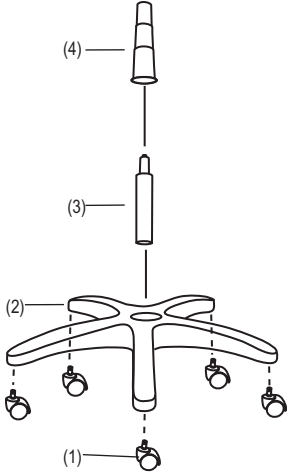
WARNING

- If parts are missing, broken, damaged or worn stop using the product until all repairs are made.
 - Failure to follow these warnings could result in serious injury.

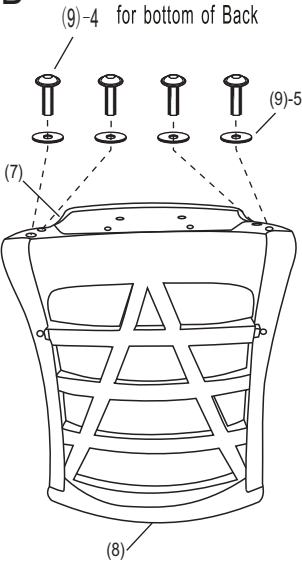
TOMMI

| (1) Castors | (2) Base | (3) Gas Lift | (4) 3 Cups Plastic Cover |
|---|---|---|---|
|  |  |  |  |
| (5) Mechanism | (6) Armrests | (7) Seat | (8) Back |
|  |  |  |  |
| <p>(9)</p> <ol style="list-style-type: none">  4pcs M6*20mm for Mechanism  2pcs M6*25mm for Back of Armrest  4pcs M6*30mm for Seat of Armrest  4pcs M6*35mm for bottom of Back  8pcs Washer for Mechanism&Seat of Armrest  2pcs Cores for Arm Screw  1pc Hexangular key | | | |
|  | | | |

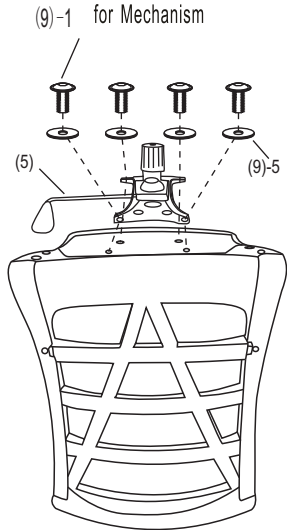
A



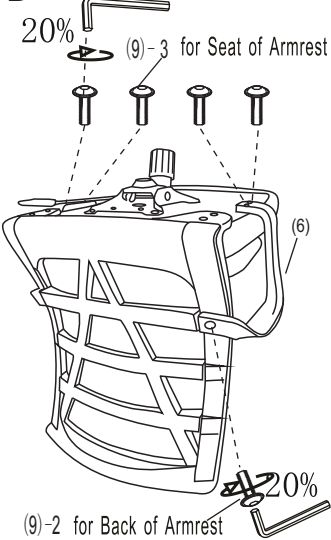
B



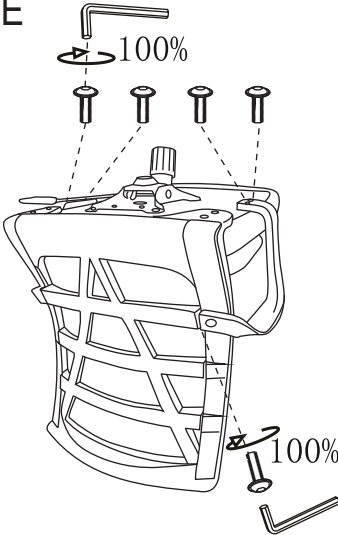
C



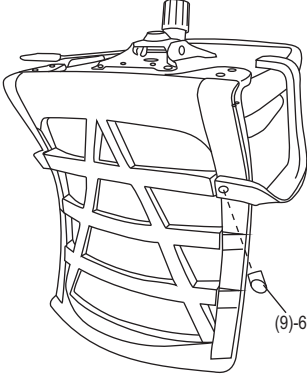
D



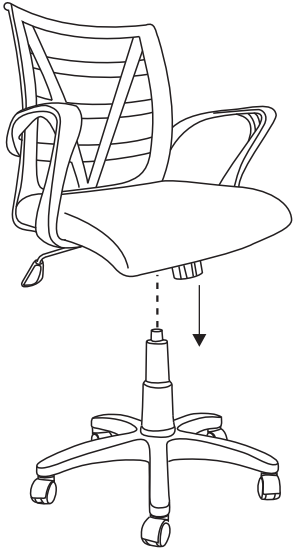
E



F



G



H

