













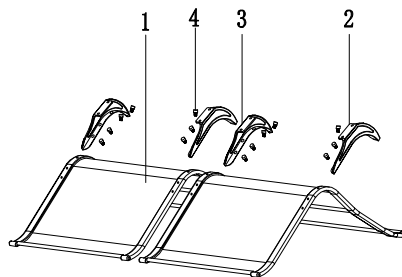


NO	Pic	Des	Size(MM)	Qty
1		Seat	520*700*425	2
2		Bracket (left)	32*256*120	2
3		Bracket (right)	32*256*120	2
4		Screw	M8*8	16
5		Beam	85*76*1215	1
6		Screw	M8*16	8
7		Adjust feet	75*50	4
8		Arm (left)	41*331*322	1
9		Arm (right)	41*331*322	1
10		Leg (left)	570*40*235	1
11		Leg (right)	570*40*235	1
12		Screw	M8*90	4
Tool		Accessory	6*6 mm	1
Tool		Accessory	12*120 mm	1

Installation Instruction(AIREX BEAM 2 SEATER)

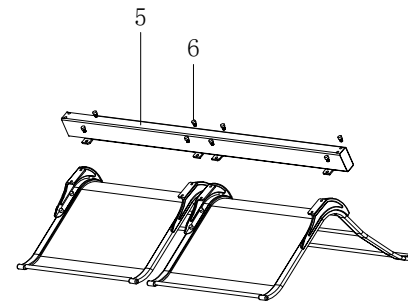
Thank you for purchasing our products. Please read this manual carefully before installation. Please turn all the screws into the screw holes and then tighten the screws. After tightening the screws, keep the same gap between the front and rear. Do not tighten one side before tightening the other. On one side, this will cause difficulty in installation, slippery teeth, uneven chair legs, seat backs not in the same line, etc.

1



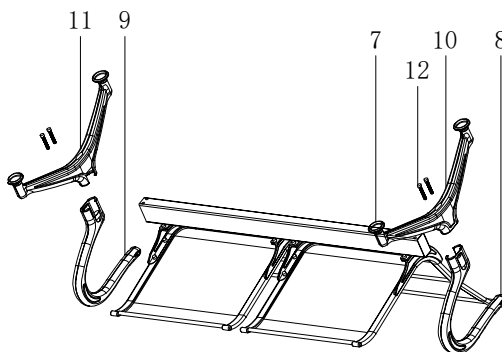
Turn the seat & back upside down, install the left and right brackets for each seat separately, pay attention to the left and right directions.

2



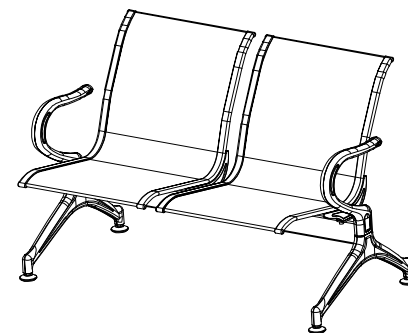
fix the beam onto the bracket.

3



fix the arm and leg with screw which go through the long screw hole in both two side of the beam.

4

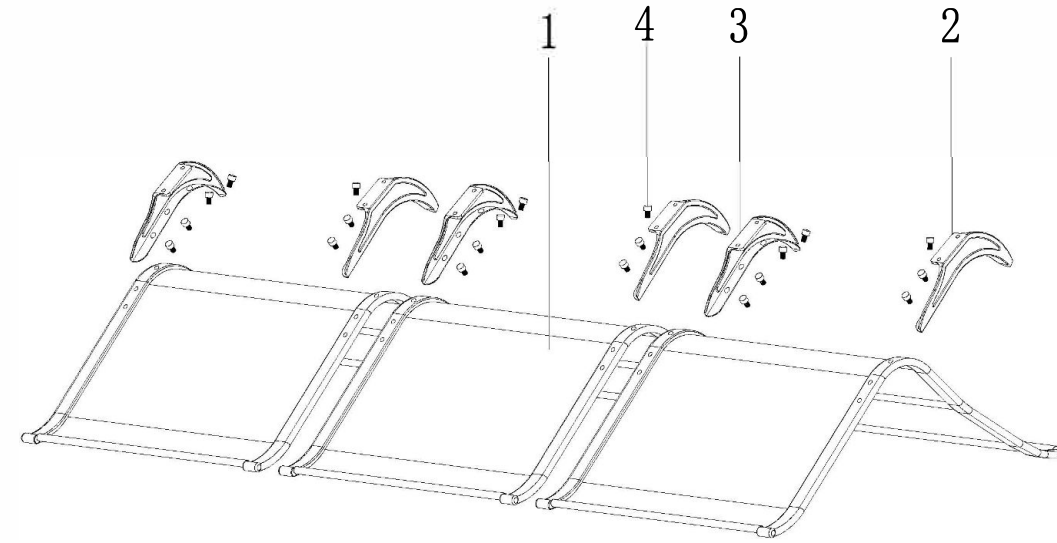


Place the chair on the ground, adjust the chair without shaking, then the installation complete.

Installation Instruction(AIREX BEAM 3 SEATER)

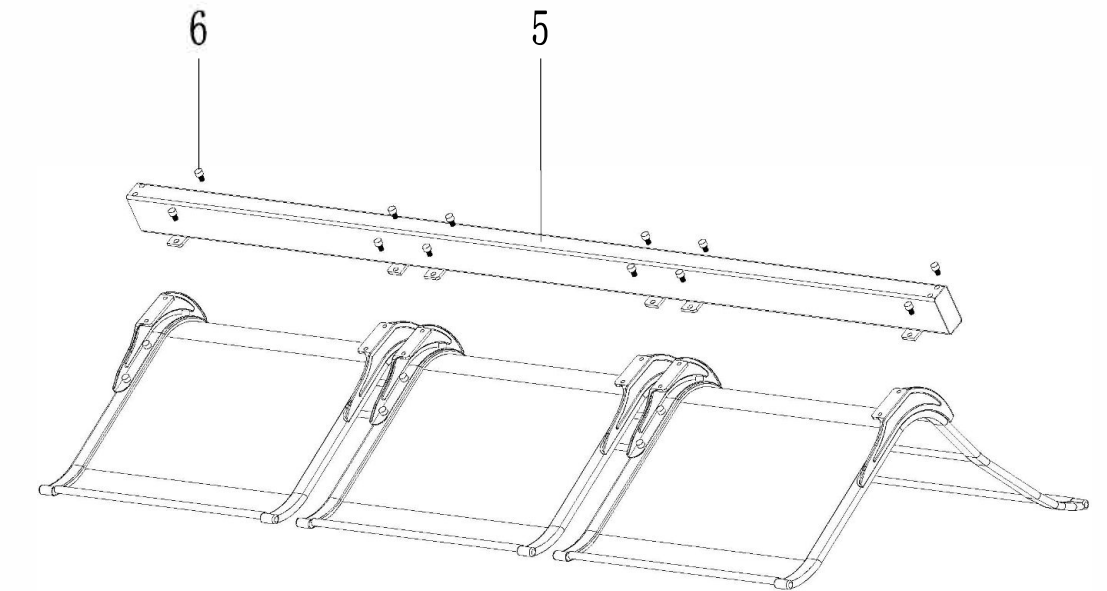
Thank you for purchasing our products. Please read this manual carefully before installation. Please turn all the screws into the screw holes and then tighten the screws. After tightening the screws, keep the same gap between the front and rear. Do not tighten one side before tightening the other. On one side, this will cause difficulty in installation, slippery teeth, uneven chair legs, seat backs not in the same line, etc.

1



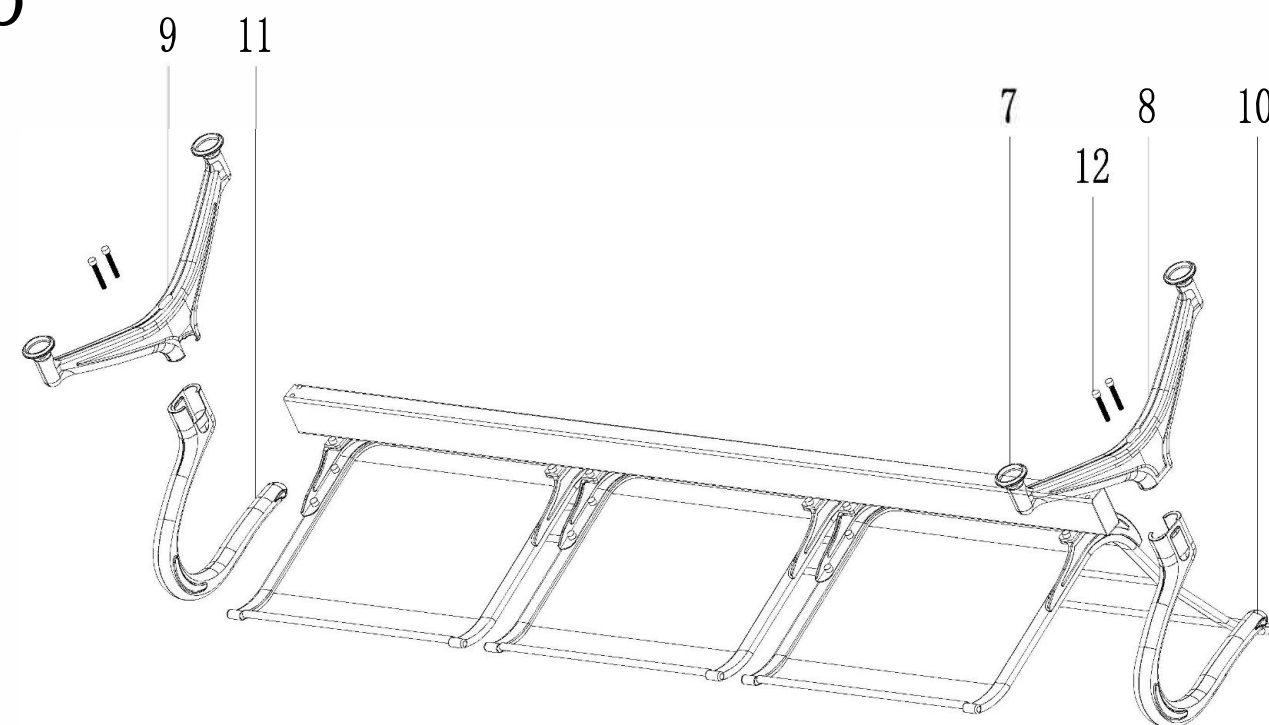
Turn the seat & back upside down, install the left and right brackets for each seat separately, pay attention to the left and right directions.

2



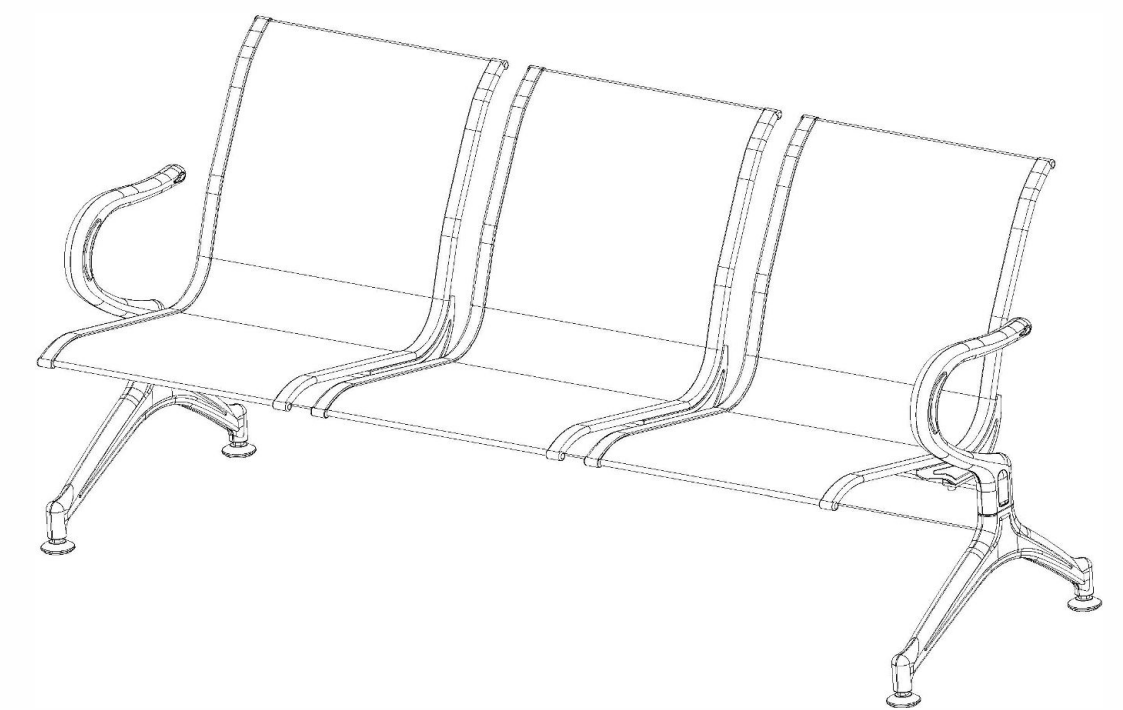
fix the beam onto the bracket.

3




















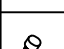

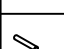
fix the arm and leg with screw which go through the long screw hole in both two side of the beam.

4



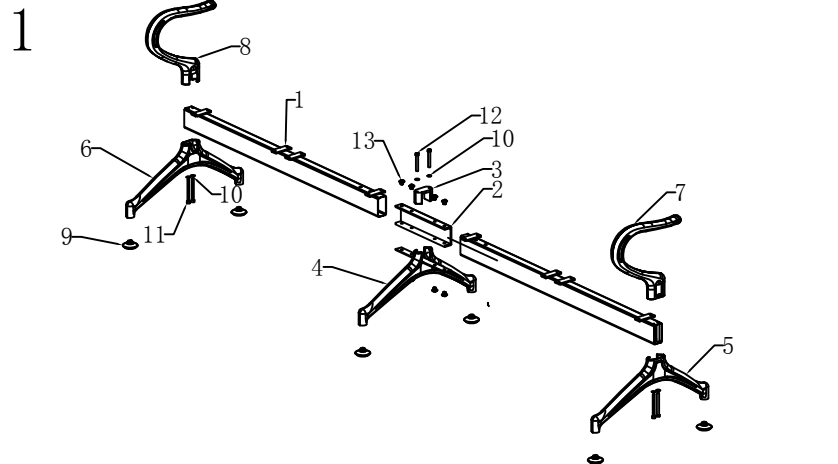
Place the chair on the ground, adjust the chair without shaking, then the installation complete.

NO	Pic	Des	Size(MM)	Qty
1		Seat	520*700*425	3
2		Bracket(left)	32*256*120	3
3		Bracket(right)	32*256*120	3
4		Screw	M8*8	24
5		Beam	85*76*1785	1
6		Screw	M8*16	12
7		Adjust feet	75*50	4
8		Arm(left)	41*331*322	1
9		Arm(right)	41*331*322	1
10		Leg(left)	570*40*235	1
11		Leg(right)	570*40*235	1
12		Screw	M8*90	4
Tool		Accessory	6*6 mm	1
Tool		Accessory	12*120 mm	1

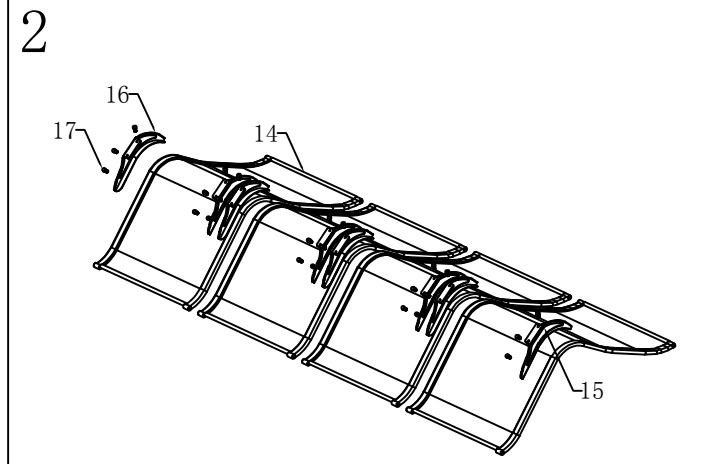
NO	PIC	Des	Size(MM)	Qty
1		Beam	80*40*1177.5	2
2		Beam Connectors	300*75*30	1
3		Feet Fasteners	78*36*47	1
4		Middle Leg	570*300*H235	1
5		Leg(left)	570*40*H235	1
6		Leg(right)	570*40*H235	1
7		Arm(left)	331*41*H322	1
8		Arm(right)	331*41*H322	1
9		Adjust feet	75*50	6
10		Ring	18*9*1.0	6
11		Screw	M8*100	4
12		Screw	M8*65	2
13		Screw	M8*25	8
14		Seat	520*700*H440	4
15		Bracket(left)	256*32*H120	4
16		Bracket(right)	256*32*H120	4
17		Screw	M8*8	32
18		Screw	M8*16	16
Tool		Accessory	6*6 mm	1
Tool		Accessory	12*120 mm	1

Installation Instruction(AIREX BEAM 4 SEATER)

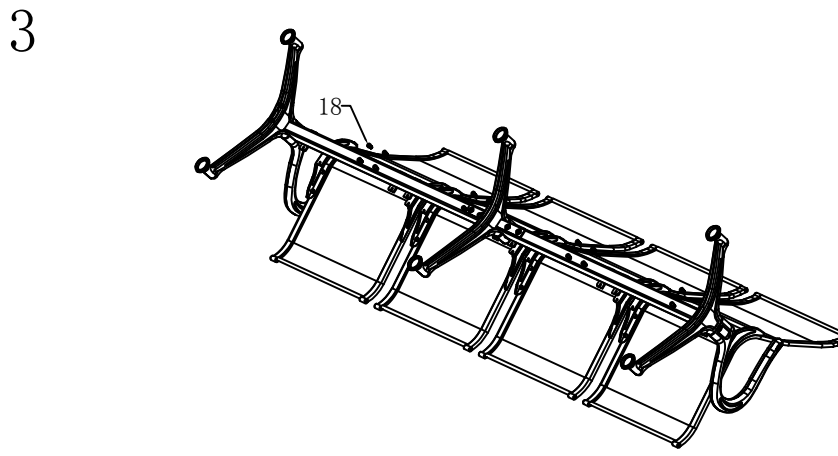
Thank you for purchasing our products. Please read this manual carefully before installation. Please turn all the screws into the screw holes and then tighten the screws. After tightening the screws, keep the same gap between the front and rear. Do not tighten one side before tightening the other. On one side, this will cause difficulty in installation, slippery teeth, uneven chair legs, seat backs not in the same line, etc.



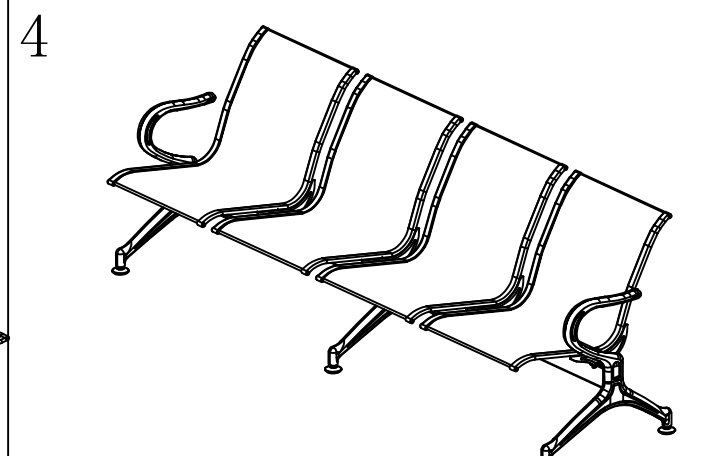
The beam are spliced together through connectors, the middle feet and fasteners are installed at the splicing positions, the alignment holes are fixed with screws, the left and right feet and armrest are fixed with screws, and the mounting adjusted feet



The back of the seat is reversed, and the left and right brackets are installed, paying attention to the left and right directions.



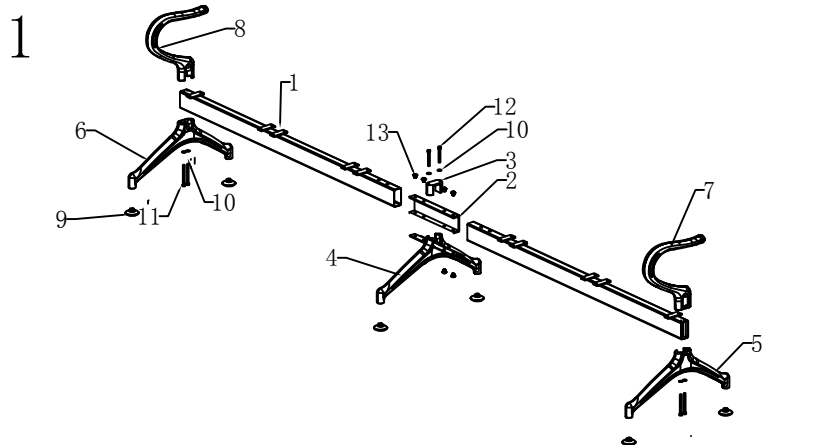
The back panel of the seat is installed on the beam, aligned with the holes and fixed with screws



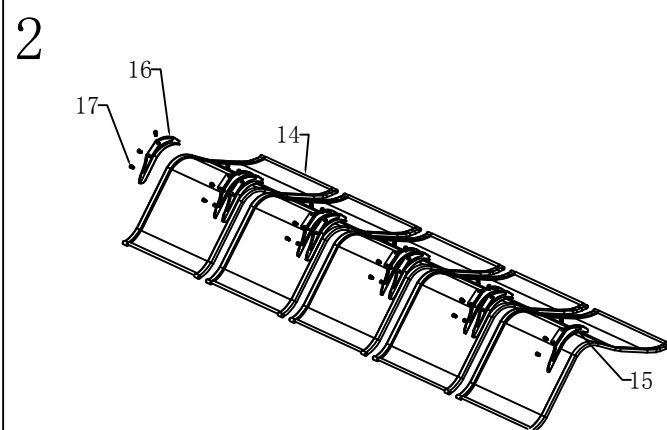
Place the chair on the ground, adjust the chair without shaking, then the installation complete

Installation Instruction(AIREX BEAM 5 SEATER)

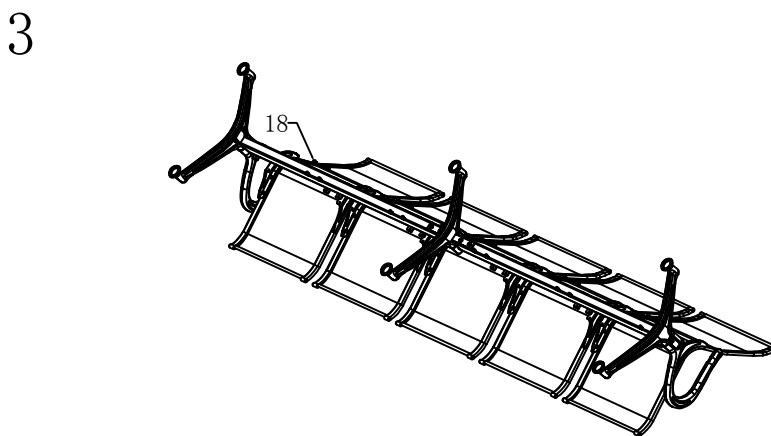
Thank you for purchasing our products. Please read this manual carefully before installation. Please turn all the screws into the screw holes and then tighten the screws. After tightening the screws, keep the same gap between the front and rear. Do not tighten one side before tightening the other. On one side, this will cause difficulty in installation, slippery teeth, uneven chair legs, seat backs not in the same line, etc.



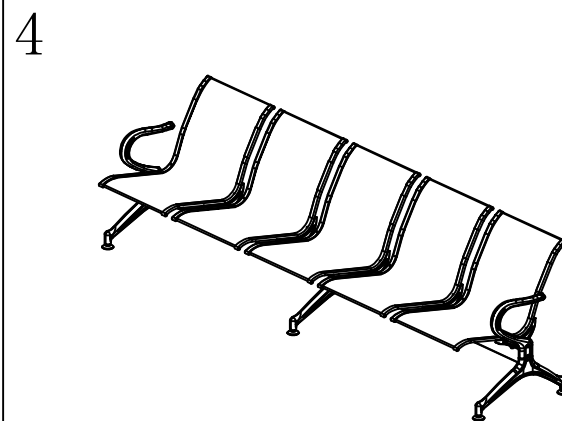
The beam are spliced together through connectors, the middle feet and fasteners are installed at the splicing positions, the alignment holes are fixed with screws, the left and right feet and armrest are fixed with screws, and the mounting adjusted feet



The back of the seat is reversed, and the left and right brackets are installed, paying attention to the left and right directions.



The back panel of the seat is installed on the beam, aligned with the holes and fixed with screws



Place the chair on the ground, adjust the chair without shaking, then the installation complete

1		Beam	80*40*1462.5	2
2		Beam Connectors	300*75*30	1
3		Feet Fasteners	78*36*47	1
4		Middle Leg	570*300*H235	1
5		Leg(left)	570*40*H235	1
6		Leg(right)	570*40*H235	1
7		Arm(left)	331*41*H322	1
8		Arm(right)	331*41*H322	1
9		Adjust feet	75*50	6
10		Ring	18*9*1.0	6
11		Screw	M8*100	4
12		Screw	M8*65	2
13		Screw	M8*25	8
14		Seat	520*700*H440	5
15		Bracket (left)	256*32*H120	5
16		Bracket (right)	256*32*H120	5
17		Screw	M8*8	40
18		Screw	M8*16	20
Tool		Accessory	6*6 mm	1
Tool		Accessory	12*120 mm	1