

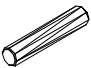



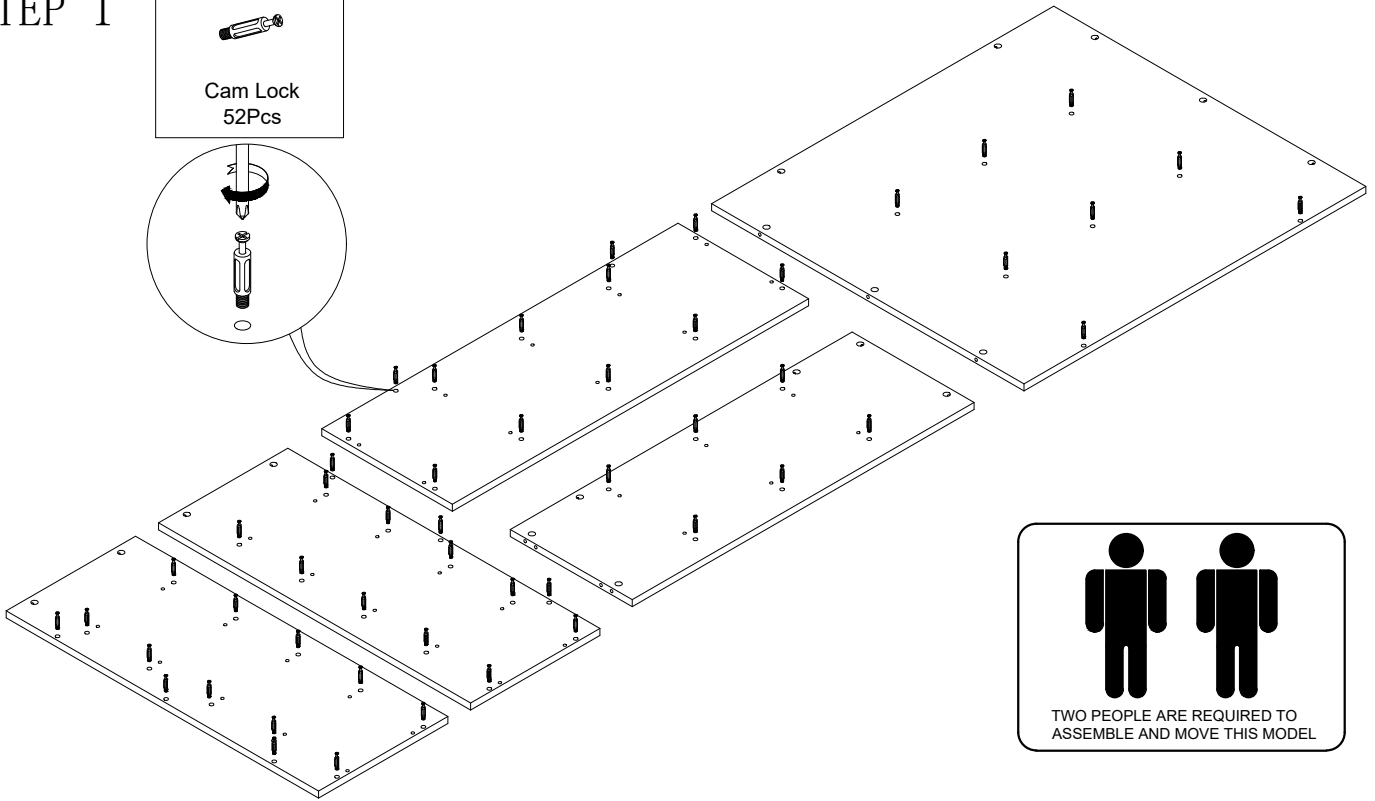
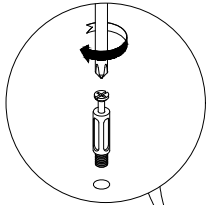
<p>A</p>  <p>Cam Lock 52Pcs</p>	<p>B</p>  <p>Klix Cam 52Pcs</p>	<p>C</p>  <p>Dowel 36Pcs</p>
---	---	---

STEP 1


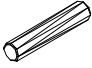
A

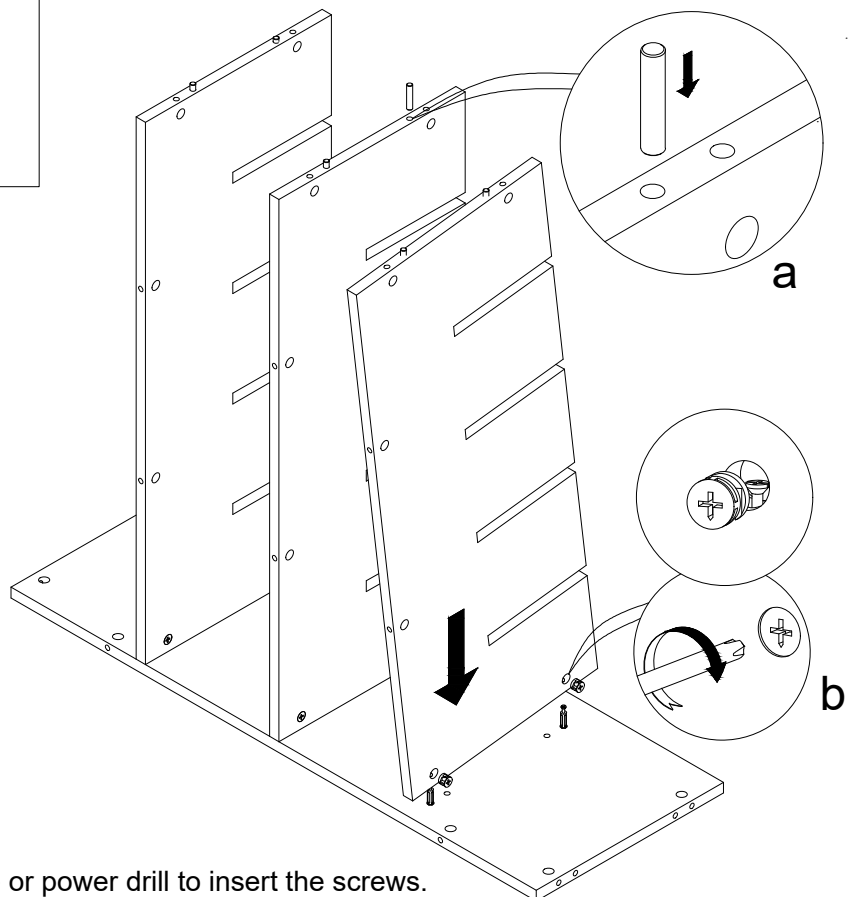


Cam Lock
52Pcs



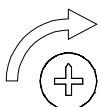
STEP 2

<p>B</p>  <p>Klix Cam 6Pcs</p>	<p>C</p>  <p>Dowel 12Pcs</p>
--	--



IMPORTANT:

FUNCTION OF KLIX CAM



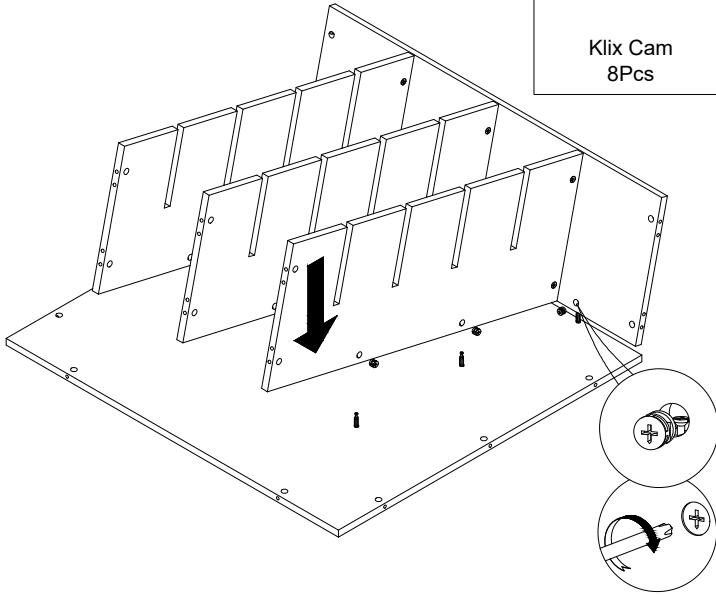
1/4 RIGHT
TURN FOR
LOCKING

MAKE SURE THE ARROW IS
POINTING UPWARDS
BEFORE INSERTING INTO
THE PANEL'S HOLE.

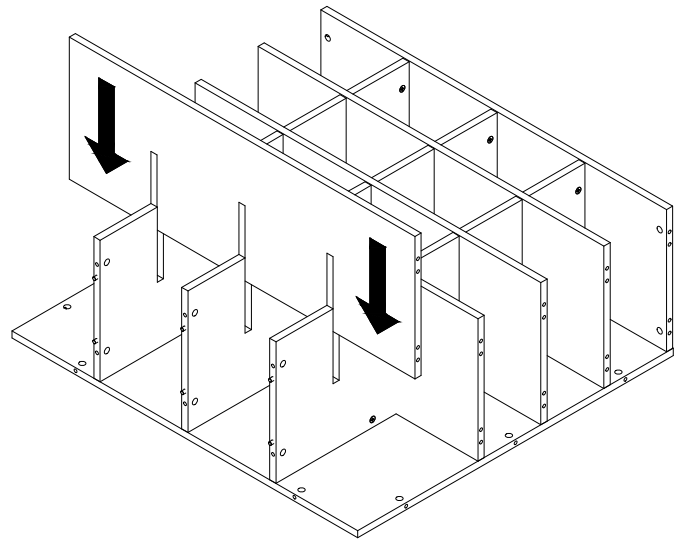
WARNING : Not to use extreme force or power drill to insert the screws.

ASSEMBLY INSTRUCTIONS
MODEL NO.:Origo Pigeon

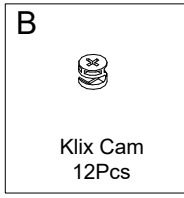
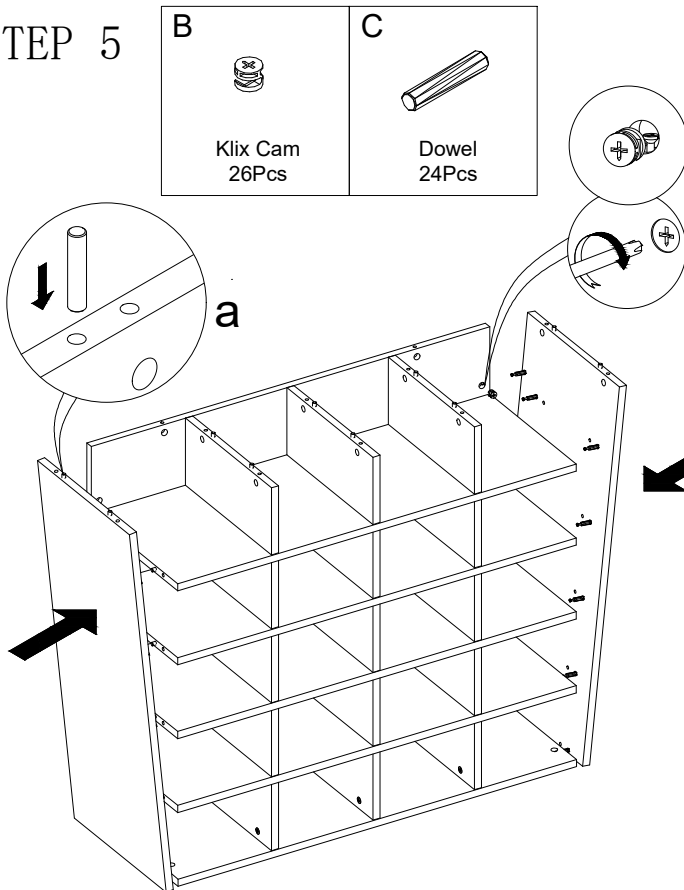
STEP 3



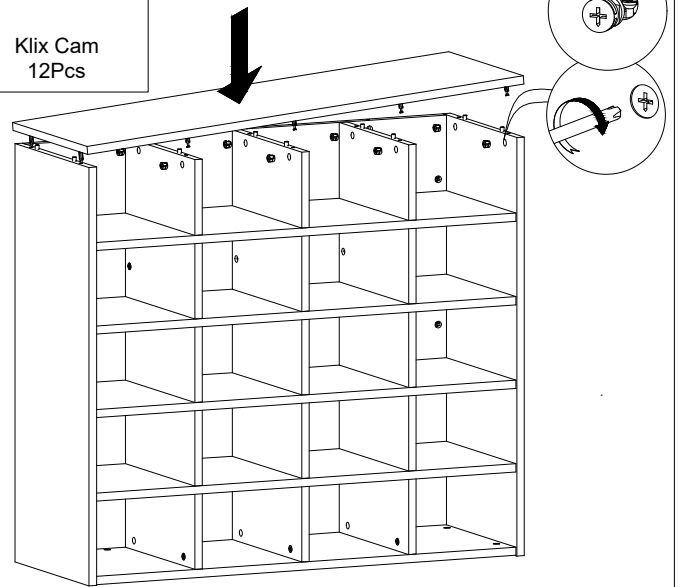
STEP 4



STEP 5

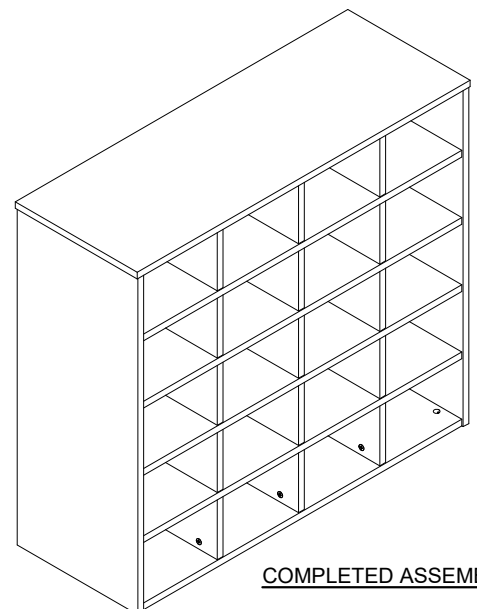


STEP 6



IMPORTANT NOTE:

- Place all laminated parts on a clean and smooth surface such as a rug or carpet to avoid the parts from being scratched.
- Check to be sure that you have all parts and hardware
- Remove all wrapping materials, including staples & packing straps before you start to assemble.
- Don't tighten all screws/bolts until all completely assembled.
- Keep all hardware parts out of reach of children.
- It is recommended to require 2 persons to complete the assembly.



COMPLETED ASSEMBLY