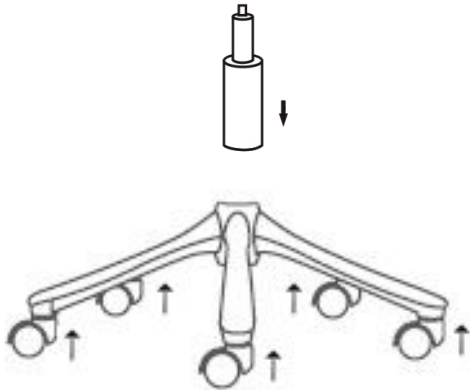


# AERO MESH CHAIR - ASSEMBLY INSTRUCTIONS

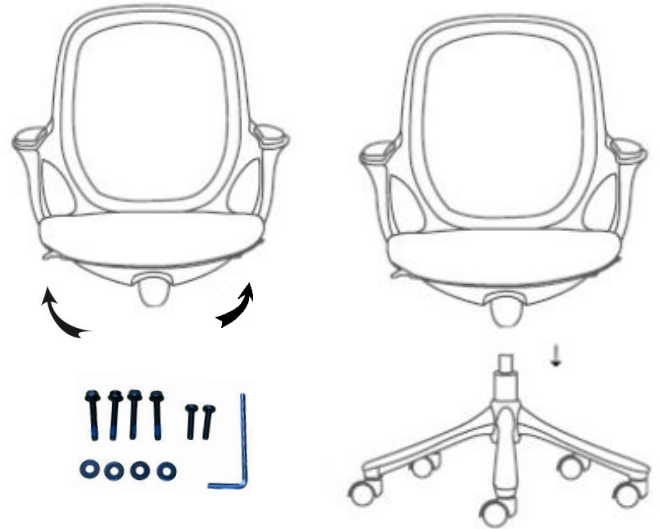
## Step 1

1. Insert castors in to the base
2. Insert gas lift in to base and cover gas lift



## Step 2

1. Attach the seat to the back (underneath), using 6 screws, tighten the screws.
2. Insert seat mechanism into the gas lift.



(1) Screws



(2) Base & Castor wheels



(3) Gas Column & Cover Gas Lift



(4) Back & Seat



### CARE INSTRUCTION

#### FABRICS



- ✓ Regular vacuuming of fabrics is recommended.
- ✓ Wipe fabrics clean with a damp cloth.
- ✓ Spot clean with warm water and mild soap.
- ✓ Brush fabrics in the direction of pile with a soft brush.
- ✓ Do not saturate fabrics.

#### PLASTICS



- ✓ Plastics to be wiped down with a clean damp cloth.
- ✓ Mild soap and warm water can be used.
- ✓ Do not use harsh chemicals.

#### CASTORS



- ✓ Hard tyred castors are not suitable for hard floor surfaces – soft tyred castors should be used

