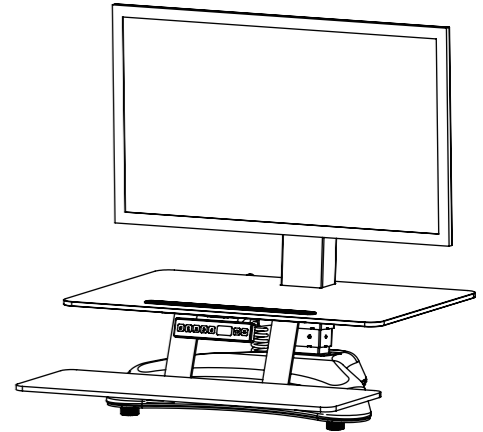


Installation Instruction

Electric Desktop workstation

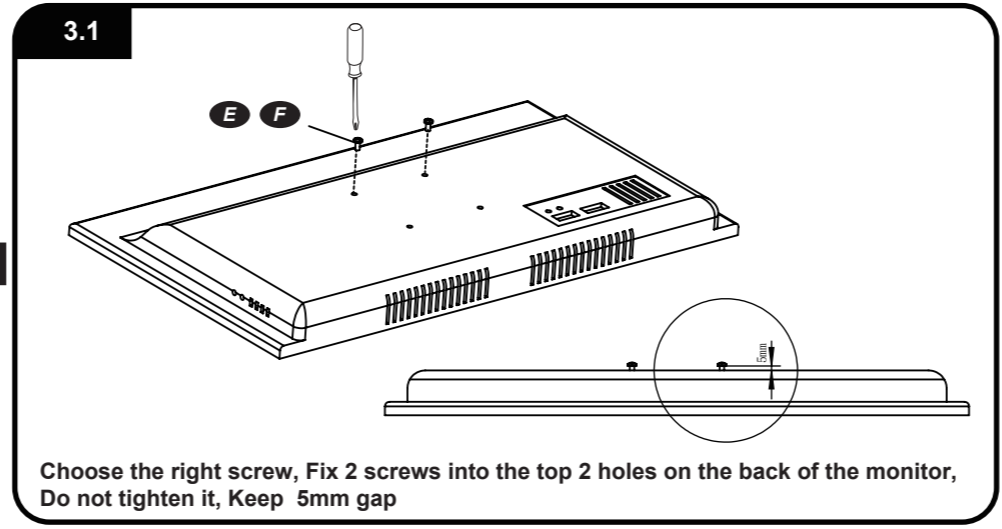


IMPORTANT SAFETY INSTRUCTOPNS

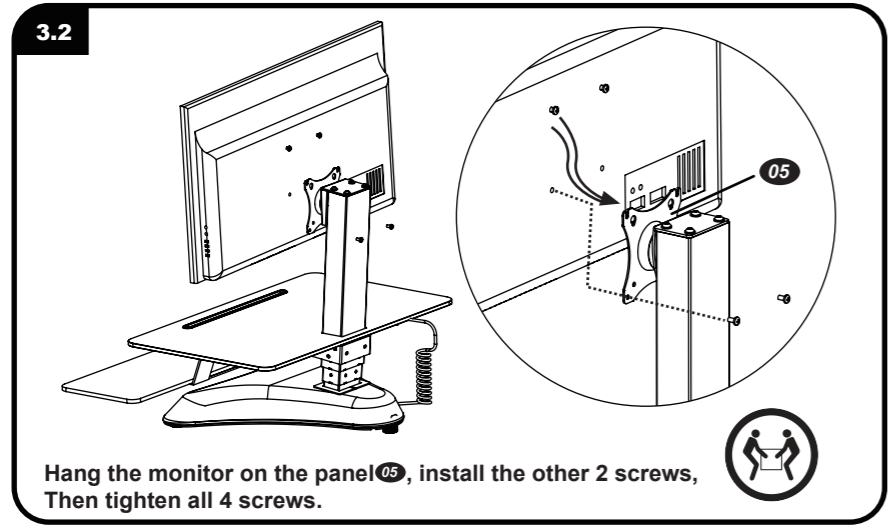
Please read through these instructions completely to be sure you're comfortable with this easy install process. Also check your Monitor owner's manual to see if there are any special requirements for mounting your Monitor. If you do not understand these instructions or have doubts about the safety of the installation, assembly or use of this product, contact your Customer Service.

Worksurface Size:	620x415mm
VESA Compatible:	75x75, 100x100
Weight Capacity:	25kgs
Tilt Range:	+10°~-10°
Swivel Range:	+10°~-10°
Screen Rotation:	360°
Lifting Range:	450-875mm
Lifting Speed:	35mm/s
Input Voltage:	110/240V
Column Segments:	3
Memory Data:	4

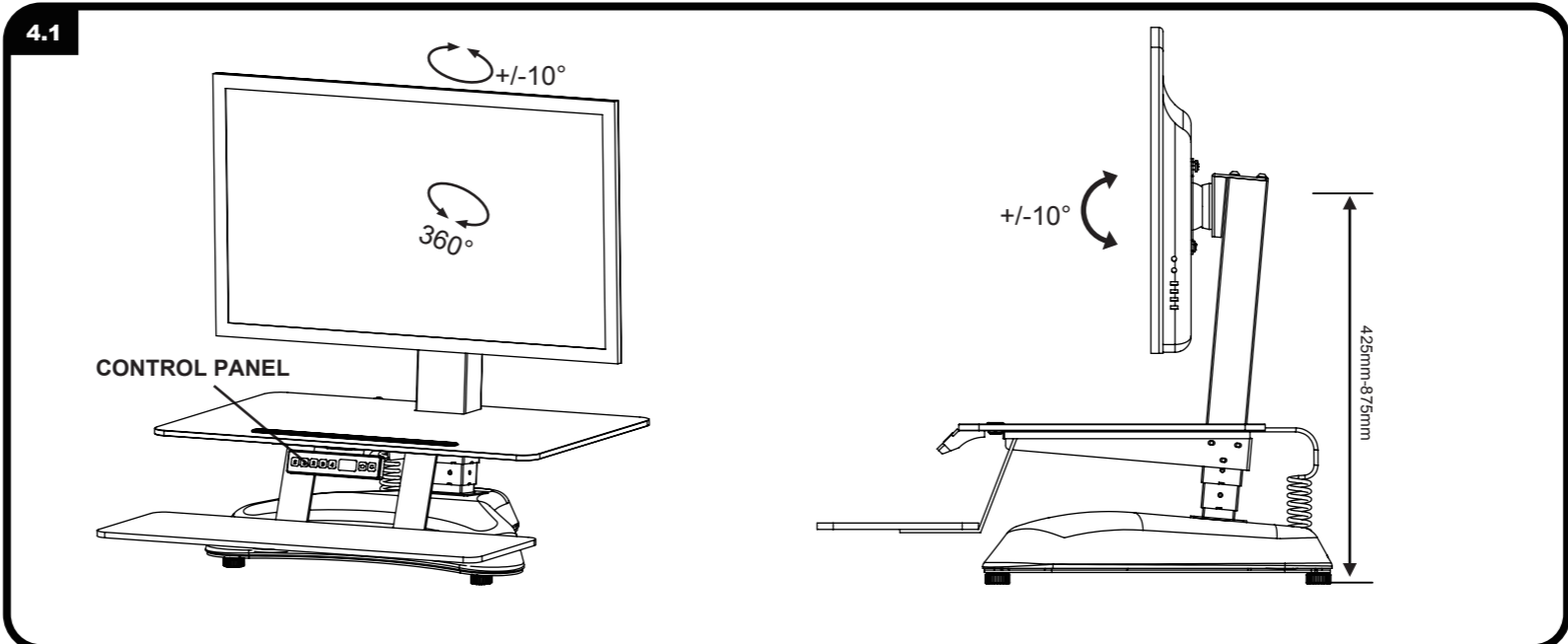
3 Hang the monitor on workstation



Choose the right screw, Fix 2 screws into the top 2 holes on the back of the monitor, Do not tighten it, Keep 5mm gap



Hang the monitor on the panel 05, install the other 2 screws, Then tighten all 4 screws.



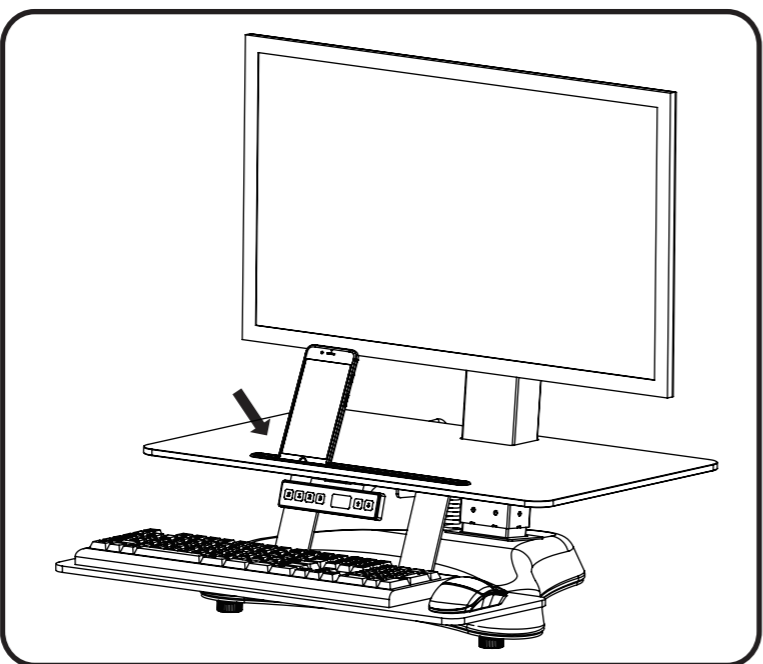
4 To use your workstation

Press button UP, The column will rise up, and loosen the button, it will stop immediately.
 Press button DOWN, The column will down, and loosen the button, it will stop immediately.
 The column will stop and back to a safe distance immediately when meet an obstacle.
 The panel can be adjusted tilt, swivel and rotation by hand.

! The product has motor protection device, please do not press the button UP & DOWN continuously, it needs to wait 3 seconds

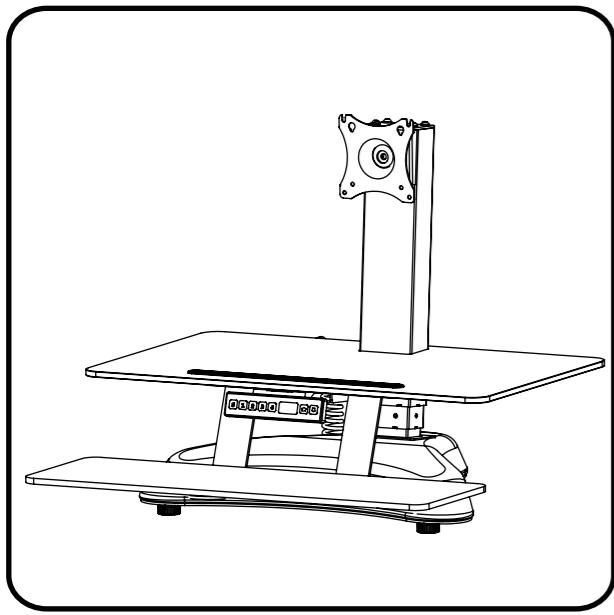
Other function

You can put your phone, tablet, documens and stationery in the slot



- !** The workstation should be far away the corrosivity and dusty environment. The workstation is not waterproof.
- !** **Moving Parts:** Do not obstruct operation of mechanism with fingers or any object. Injury or damage could result. If adjusting the limits, do so prior to wiring into control systems.
- !** **Risk of Electrocution:** Do not connect any power to the lift until installation is complete. Attach the display panel after the lift has been properly installed and tested. Unit operates on a 110/240V
- !** **Be Prepared:** Organise your mounting hardware and have the necessary tools ready accessible before installation.
- !** **Do not expose to extreme temperatures or corrosive materials. Minimize exposure to the elements.** This will void your warranty and reduce the life of the product.

! The workstation should be operated under this Instruction Manual.



1 preparation

Check parts and hardware according to instructions

Parts for assembly

- 01 Tray x1
- 02 Cover x1
- 03 Base x1
- 04 Column x1
- 05 Mount plate x1
- 06 Foot pad x3

Hardware

- A M6x12 x10
- B M5x8 x8
- C 6mm washer x10
- D 5mm washer x8
- E M5x12 x4
- F M4x12 x4
- G Hex key x1
- H Rubber ring x1

2 Assembly the desktop workstation

2.3

Put the tray 01 on the column
Insert the plug of the keyboard panel into the control box
Fix tray 01 onto the column 04 by screws B and washer D

2.2

Put the cover 02 on the column 04

2.1

Install column 04 on base 03 using screw A and washer C
Insert the plug of the column into the control box

2.4

Install the foot pad 06 and tighten it

2.5

Install mount plate 05 onto the column 04 by screws A and washer C
Install rubber ring H