

Axis Adjustable Desking

Maintenance Instructions

TOOLS REQUIRED: 2mm Allen key (supplied), 12mm Spanner (supplied).

Axis Adjustable Desking

MAINTENANCE INSTRUCTIONS

Important User Information

Your height adjustable desk is a mechanical device designed to provide functionality in your working environment. Your desk contains moving parts therefore it requires periodic maintenance.

This desk is designed to give a total of 400mm of infinite adjustment between the heights of 660mm and 1060mm. **DO NOT** lower your desk below 660mm or raise your desk above 1060mm as this will damage the internal height adjustment mechanism and will not be covered by the manufacturer's warranty.

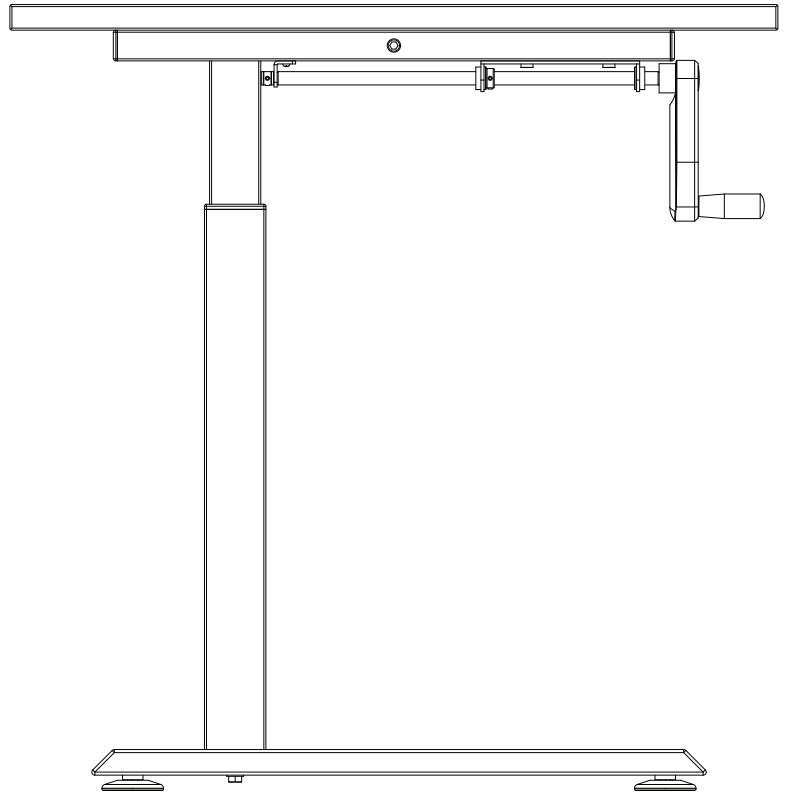
Never put undue stress on the adjustment handle as this could cause breakage of equipment not covered by the manufacturer's warranty.

There will be some gear noise during the adjustment operation – this is a normal operating feature of this desk.

The manufacturer's warranty for your height adjustable desk covers manufacturing defects; it does not cover operator misuse.

This warranty does not cover items such as;

- Installation of legs set at different heights so that desk is out of level.
- Removal of handles/handle assemblies.
- Modification of handle assemblies in any way.
- Protrusion of handle past desk top when not in use.
- Height adjustment operating with extraneous loads such as screens/other desk top intrusion.
- Removal of glides from leg frames.



Axis Adjustable Desking

MAINTENANCE INSTRUCTIONS

Periodic Maintenance Procedure

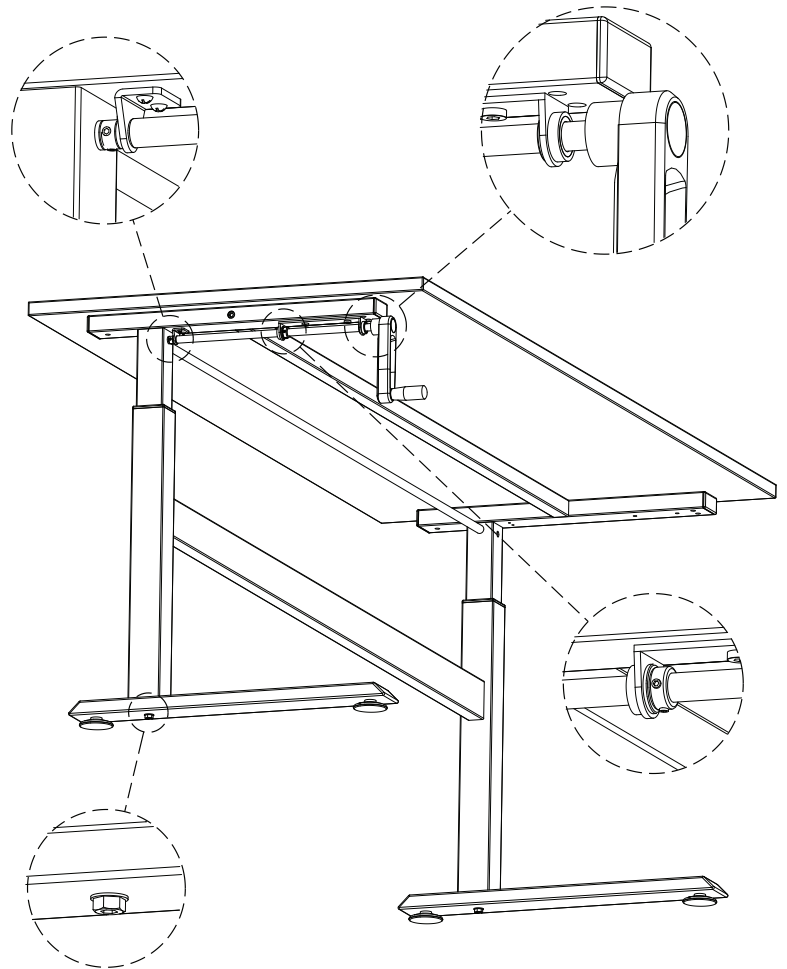
Biannually check and tighten all joint screws. This will require the Allen key supplied with your desk.

Ensure the worktop is clear of any obstructions that may limit your height adjustable desks ability to move up or down.

Ensure the adjustment handle moves in and out freely.

Check and tighten the mechanism bolt on the underside of the desk main poles. (When tightening, prevent the adjustment handle from moving).

Make sure both ends of the desk rise at the same rate.



Safety

Before adjusting the height of your desk ensure there are no objects on or around your desk that could move or topple causing injury yourself or others in the vicinity.

Always fully extend the adjustment handle toward you before rotating.

Warning: Never adjust your desk while still seated at your desk as this could cause back strain.

NOTE: In high use conditions the winder noise may increase over a longer period of time. If normal noise levels are desired to be achieved, the internal lead screws may need re-lubricating with Wynn's Ultra-Supreme Grease. This involves removal of the leg mechanism, re-grease and re-assemble.