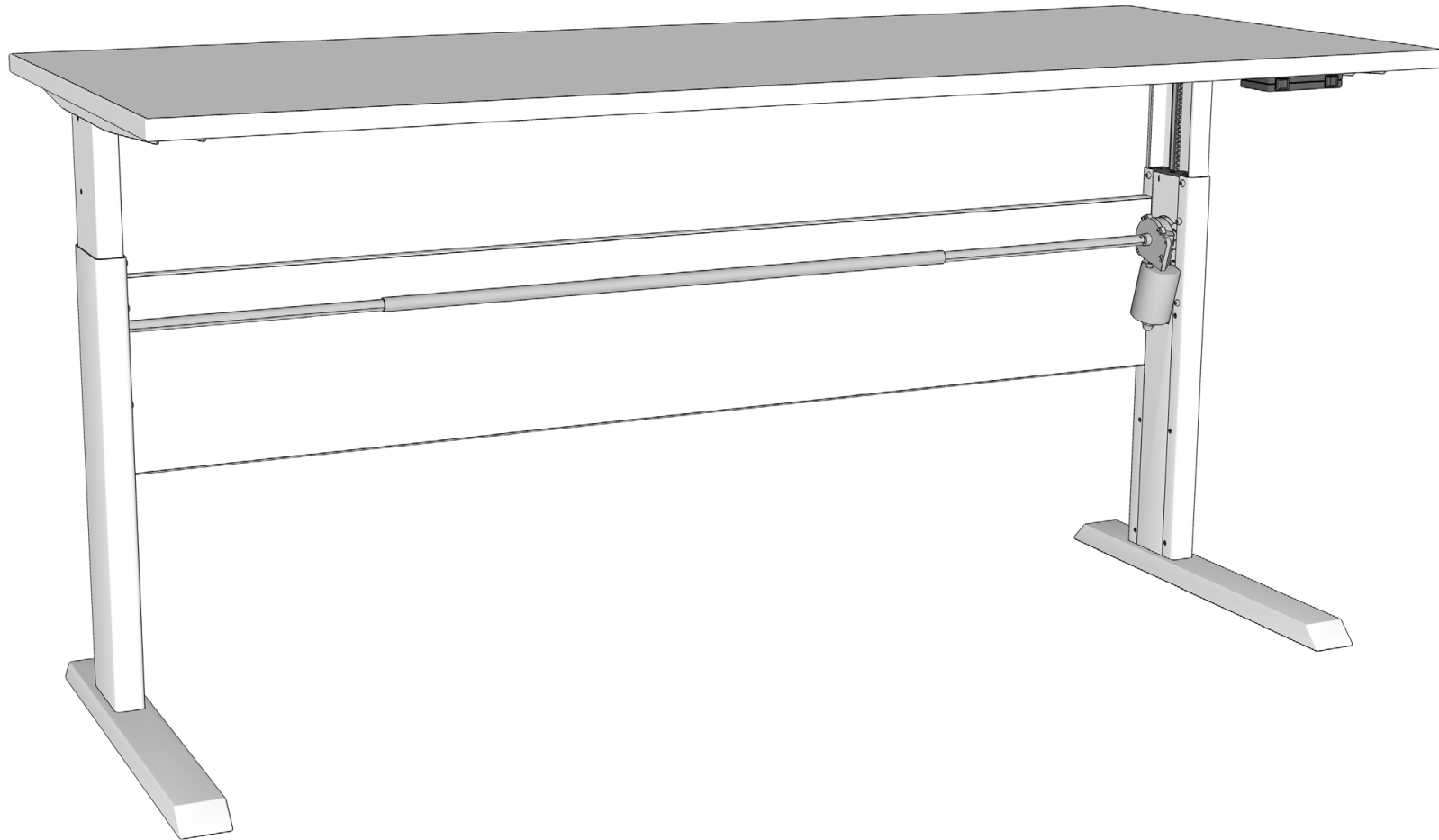


AXIS ELECTRIC HEIGHT ADJUSTABLE DESK

Installation Guide (For 1800mm wide desk)



AXIS ELECTRIC HEIGHT ADJUSTABLE DESK

Installation Guide (For 1800mm wide desk)

Safety and Warnings

- This table complies with the prescribed safety regulations. Inappropriate use may cause damage to persons and table.
- Please read the operation manual prior to start using the table. It provides you with important information about safety, use, installation and maintenance of the table, and thus protecting you and your children and avoiding damage on the table.
- Please guard this operation manual and pass it on to any future owner!

Usage

The electromotive, height-adjustable tables are designed for workstations in dry work environments only. The table height is infinitely adjustable, so that it can be set to the most ergonomically suitable working level.

They have not been designed for other purposes than those included in this manual, e.g. they are not to be used in areas of high humidity or dampness, nor for lifting people.

Any other use is at one's own risk!

Do not crawl, lie or move around under the table frame, and do not sit or stand on the table frame.

CHILDREN should only use the table when supervised by adults.

Liability: The manufacturer accepts under no circumstances warranty claims or liability claims for

damages arising from improper use or handling of the table frame other than that described in this operation manual.

Set-up and Installation

When the table has been assembled (see assembly instructions on page 3-4) the adjustable feet are installed so that the table is level and does not shift. Then the table is connected to the 110-230 VAC outlet and the table is ready for use.

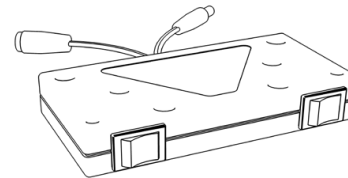
Make sure that no cables can get jammed.

Place the table in a safe distance from window frames, radiators, furniture etc. so that people do not get stuck.

Do not place any objects above 55 cm underneath the table.

When moving the table after it has been assembled, the table top needs to be removed. The table CANNOT be lifted by the tabletop.

Operation



UP/DOWN OPERATION:

BOTH buttons must be pressed **SIMULTANEOUSLY** either right or left.

AXIS ELECTRIC HEIGHT ADJUSTABLE DESK

Installation Guide (For 1800mm wide desk)

Maintenance and Defects

The table does not require any maintenance by usage as described in the above section.

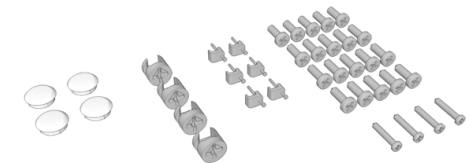
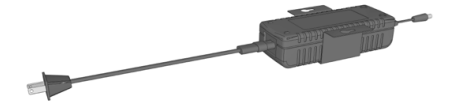
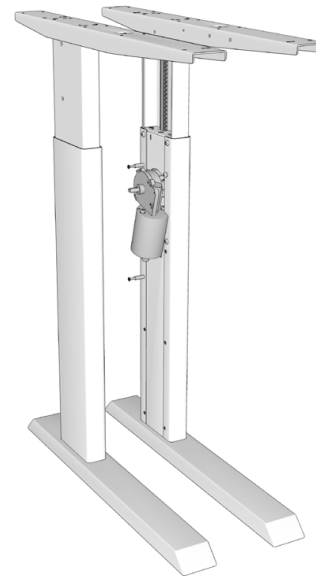
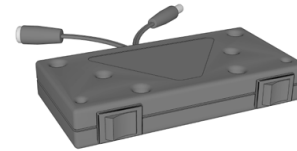
The table is only to be maintained with a wrung cloth.

In the event of the occurrence of jarring sounds during operation, STOP using the table and please contact the dealer.

Technical Data

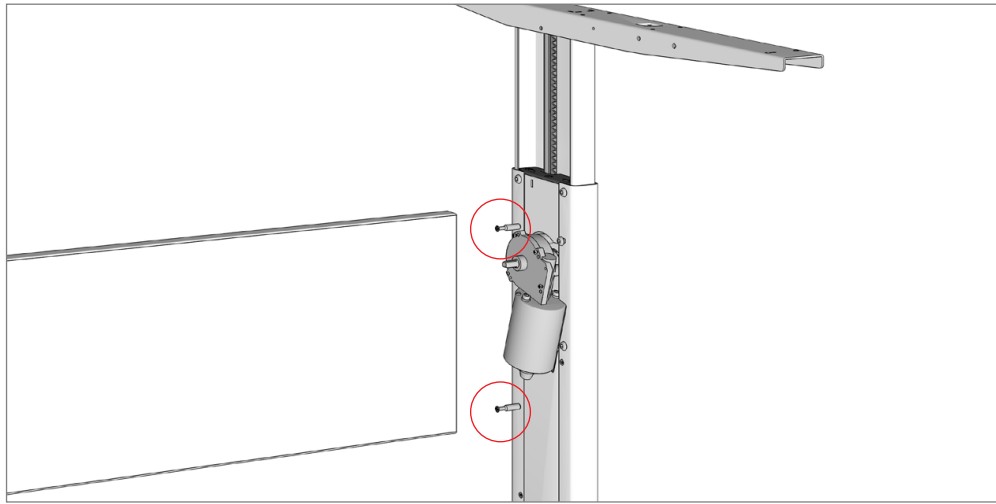
Frame, Materials and Weights:	Steel, silver or white - weight metal frame 21kg
Width:	1200-1800mm
Depth:	650-900mm
Height:	685-1205mm
V (Speed):	22mm/sec
FMax=Max. load on worksurface:	50kg
Operation:	Rocker switches
Voltage:	220-230 VAC/50Hz or 110-120 VAC/60Hz
Consumption:	60 Watt; Standby: Max 0.9 Watt

Parts

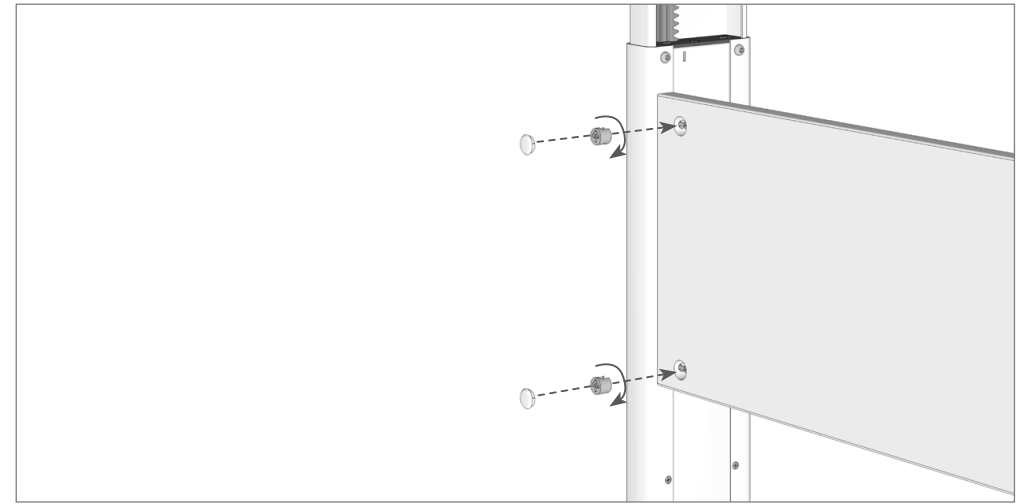


AXIS ELECTRIC HEIGHT ADJUSTABLE DESK

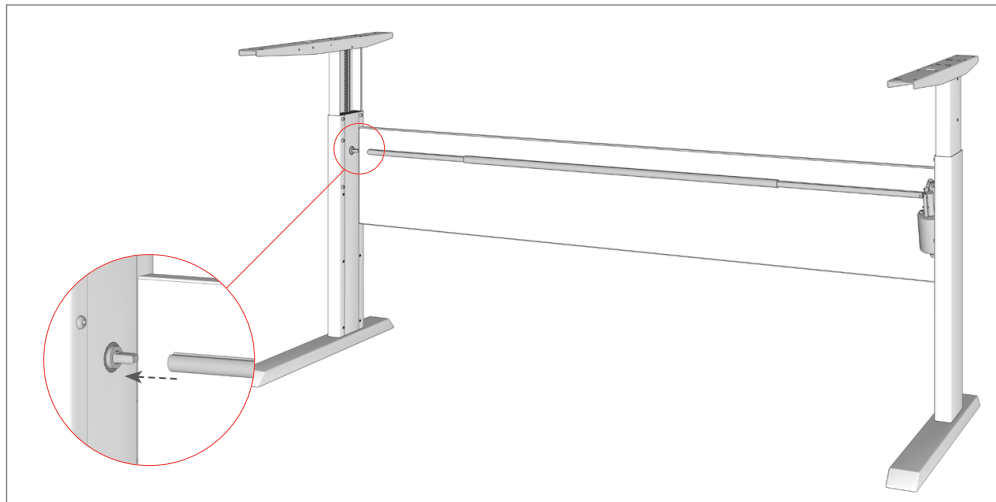
Installation Guide (For 1800mm wide desk)



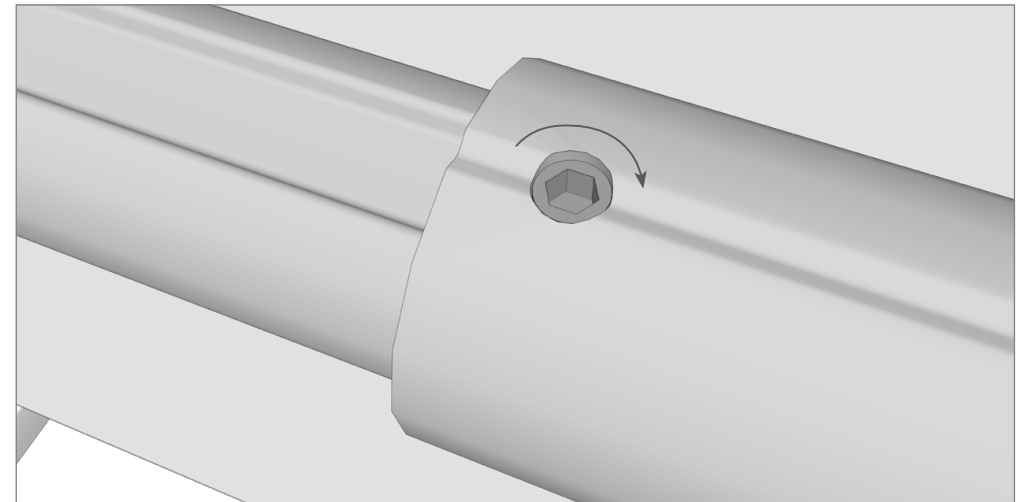
STEP 1: Screw 2 modesty panel pins into each leg.



STEP 2: Slide modesty panel into position on each leg, tighten cam to lock in place. Use a soft headed hammer as necessary to fit the plastic cover caps to each cam.



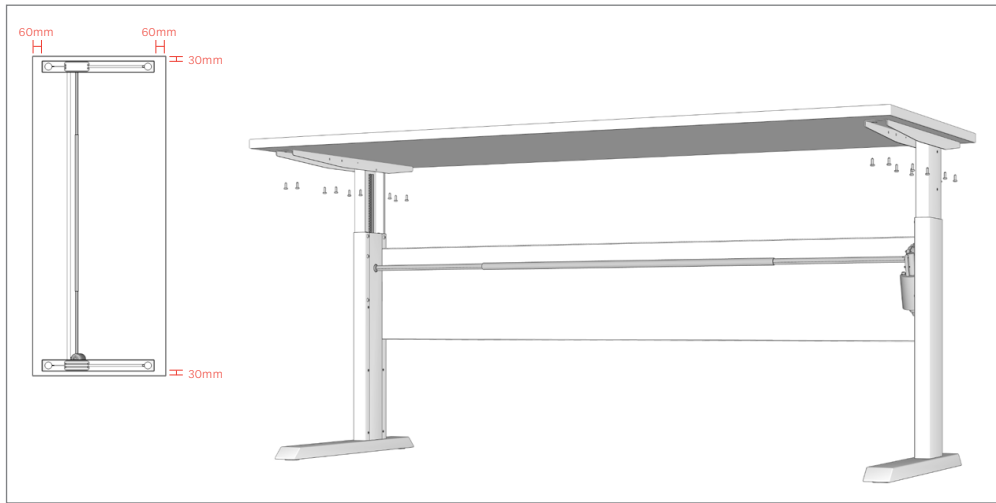
STEP 3: Slide the gear rail onto the opposite leg to the motor, then fully extend the rail until it meets the drive shaft on the motor.



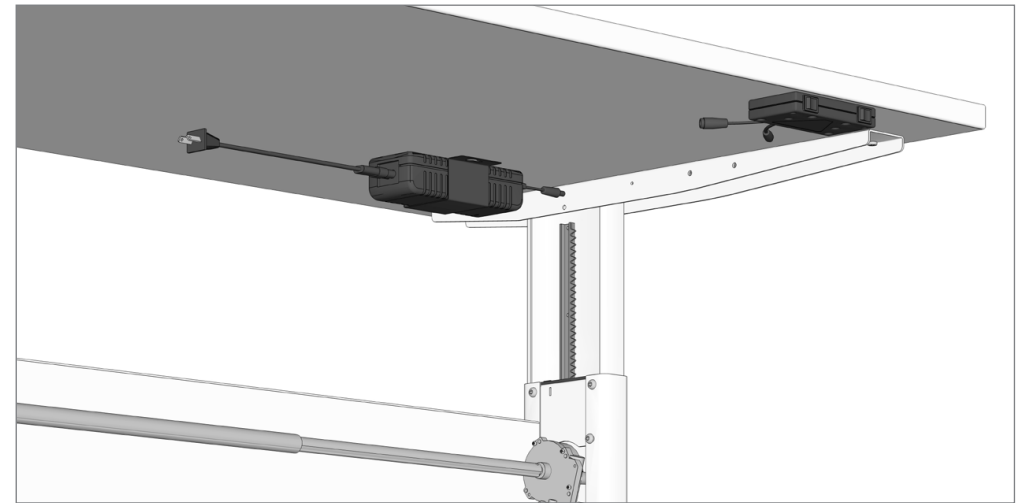
STEP 4: Once the gear rail is fully extended, tighten the 2 small grub screws on the rail to secure the rails length.

AXIS ELECTRIC HEIGHT ADJUSTABLE DESK

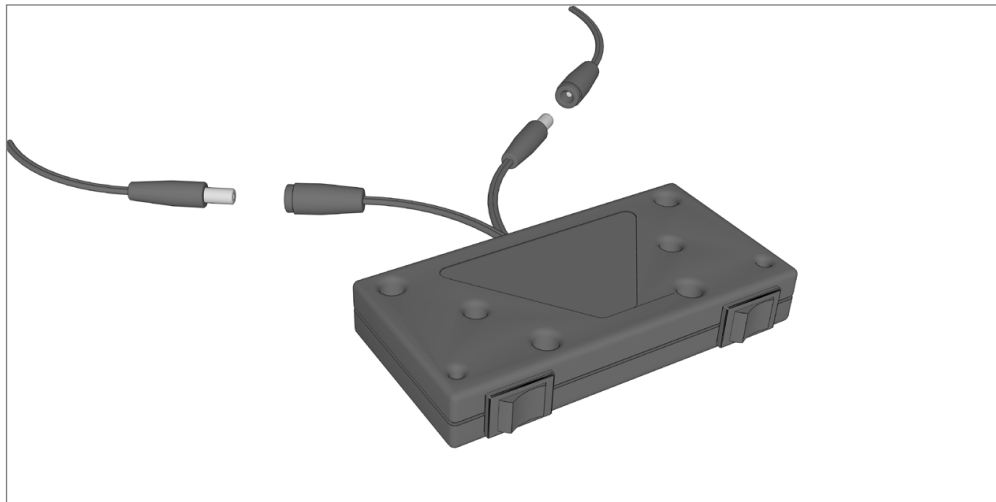
Installation Guide (For 1800mm wide desk)



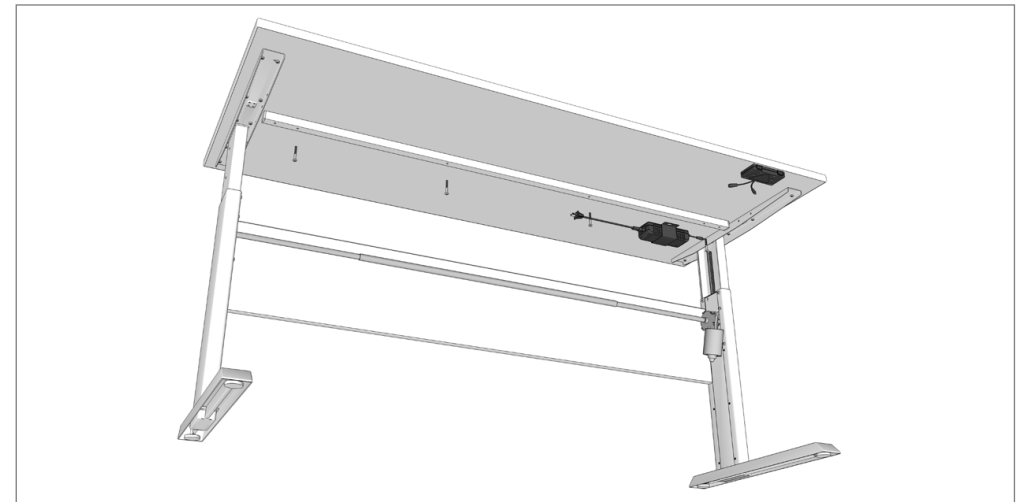
STEP 5: Secure the work surface to each leg using the provided screws.



STEP 6: Secure the power supply and controls in the locations pictured below. Ensure the controls are located near the front edge of the work surface.



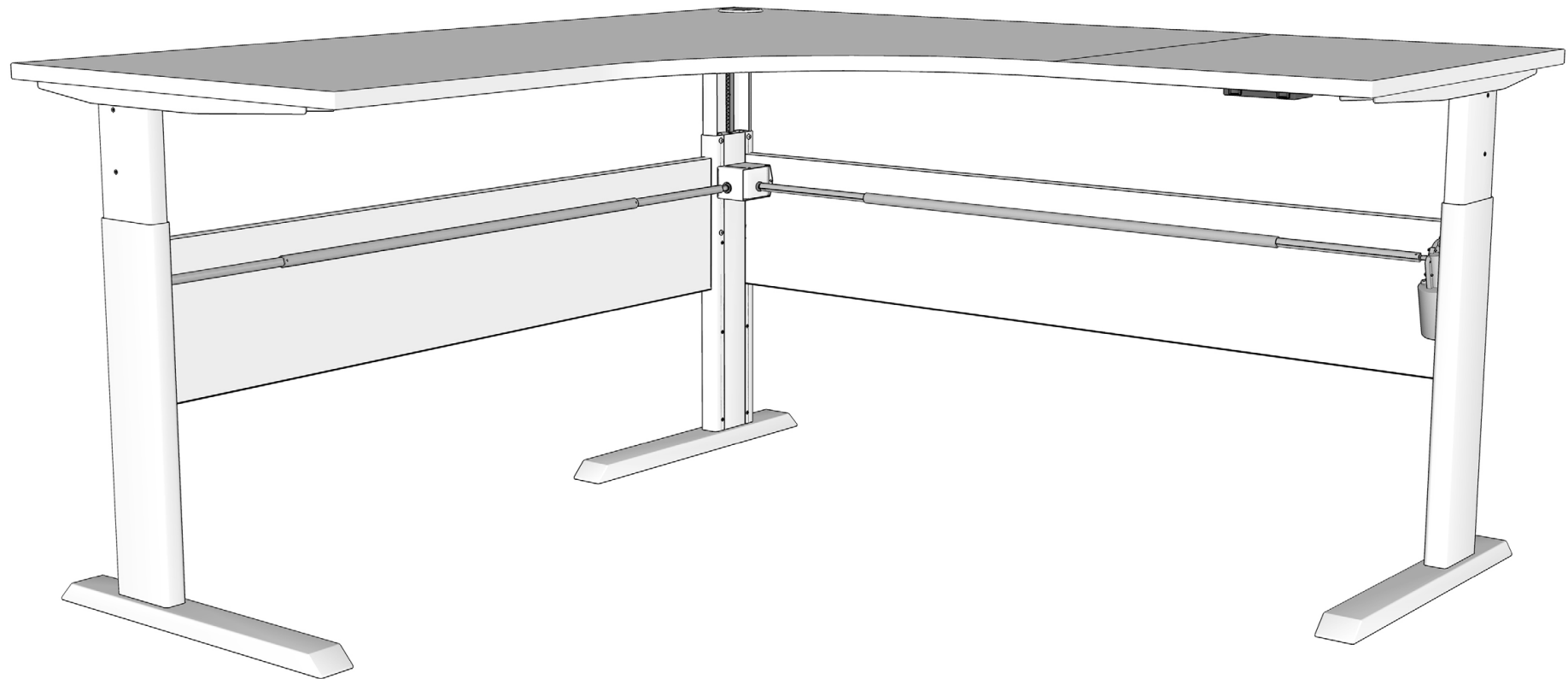
STEP 7: Connect the power supply to the controls. Test operation.



Optional: For desks 1500mm or wider, fix a worktop stiffening rail in the centre of the work surface as pictured below.

AXIS ELECTRIC HEIGHT ADJUSTABLE WORKSTATION

Installation Guide

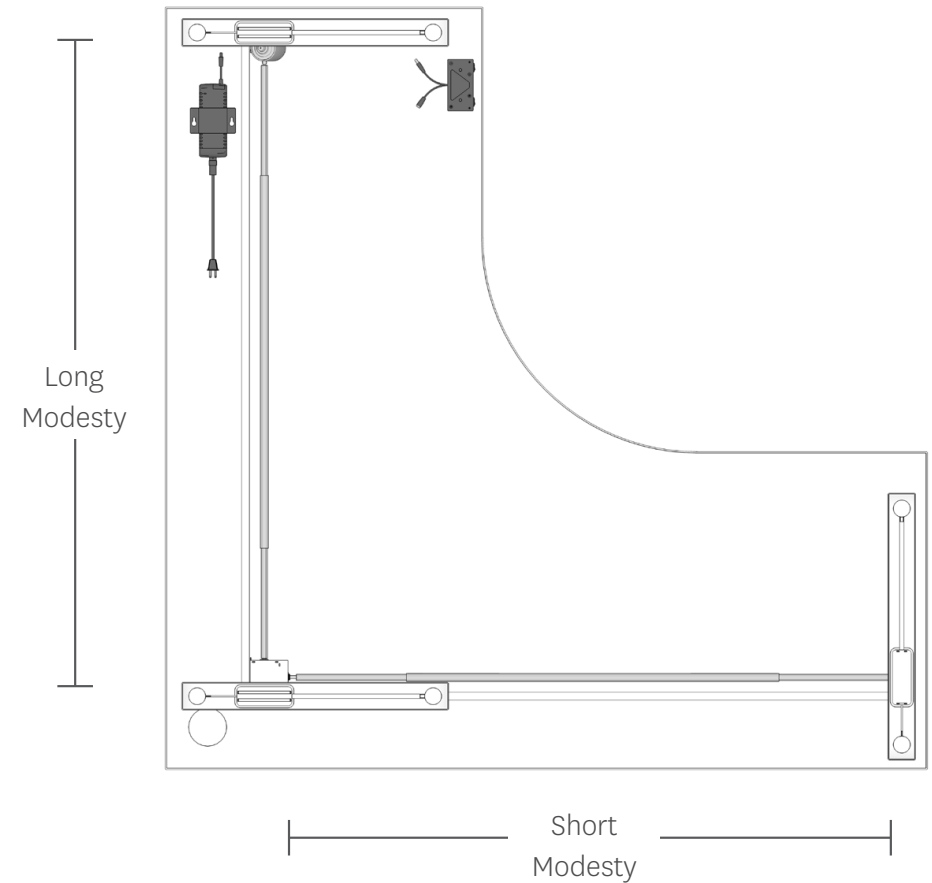


AXIS ELECTRIC HEIGHT ADJUSTABLE WORKSTATION

Installation Guide



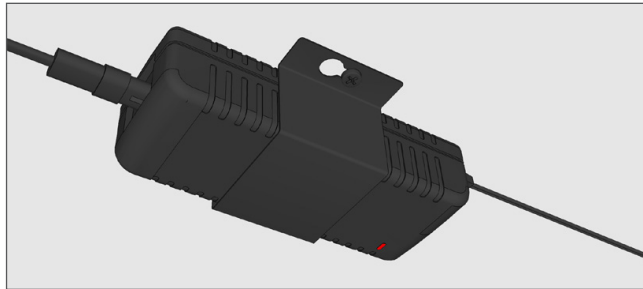
STEP 1: Secure the gear transfer box to the centre leg. Remove screw from leg first, slide on transfer box, then securely tighten screw back in place. Follow steps 1 to 7 of the desking assembly guide to assist in workstation assembly.



Example of modesty panel lengths on a 1800mm x 1800mm x 750mm worksurface.

ELECTRIC FRAME NOT ADJUSTING?

Follow trouble shoot steps below:

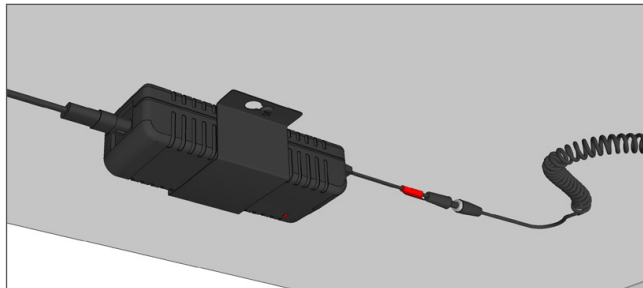


Is red light on the transformer going?

→
NO

1. Check 220V outlet and wire to transformer.
2. Unplug for 3 minutes, plug in again.
3. Still no light, phone supplier for new power pack/transformer.

YES

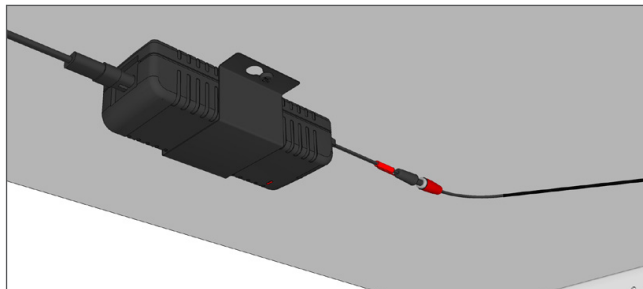


Connect the motor and transformer leads. (Remove quickly!)
Was the frame moving?

→
NO

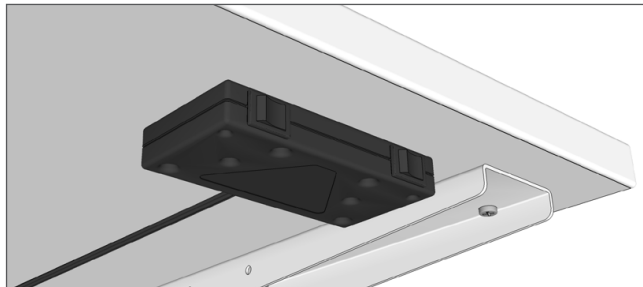
Phone supplier for new power pack/motor.

YES



Connect the wires again (red tag/red end), according to the original layout in assembly manual.

YES



Check if the buttons are used correctly. Both buttons should be pressed in same direction.
Does the frame work?

→
NO

Phone supplier for new pack/control panel.