
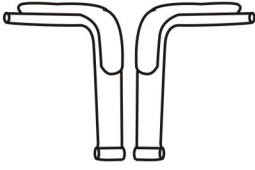


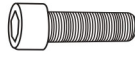

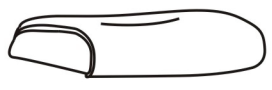

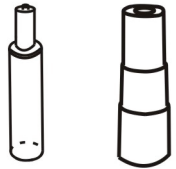



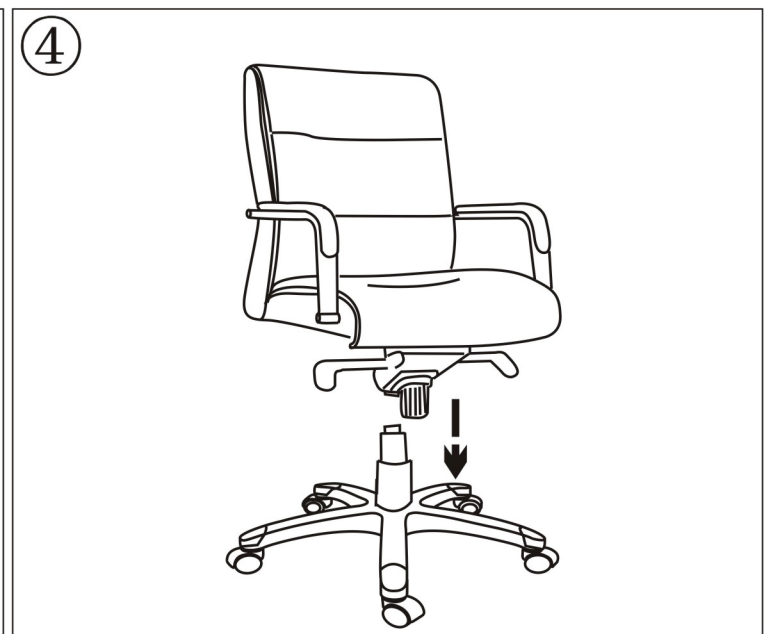
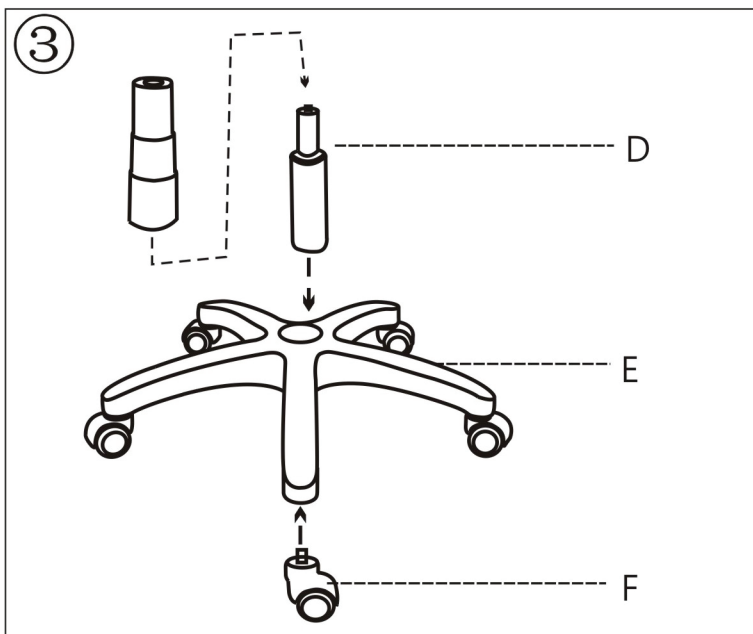
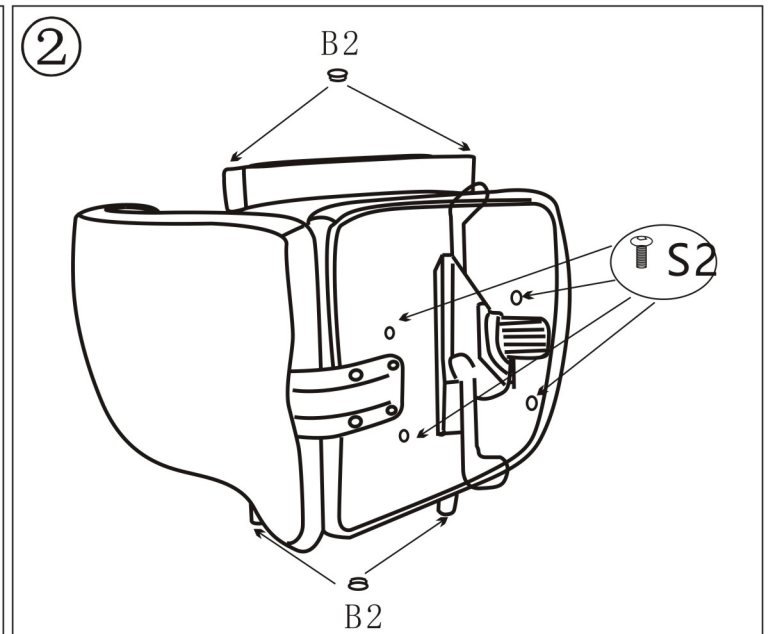
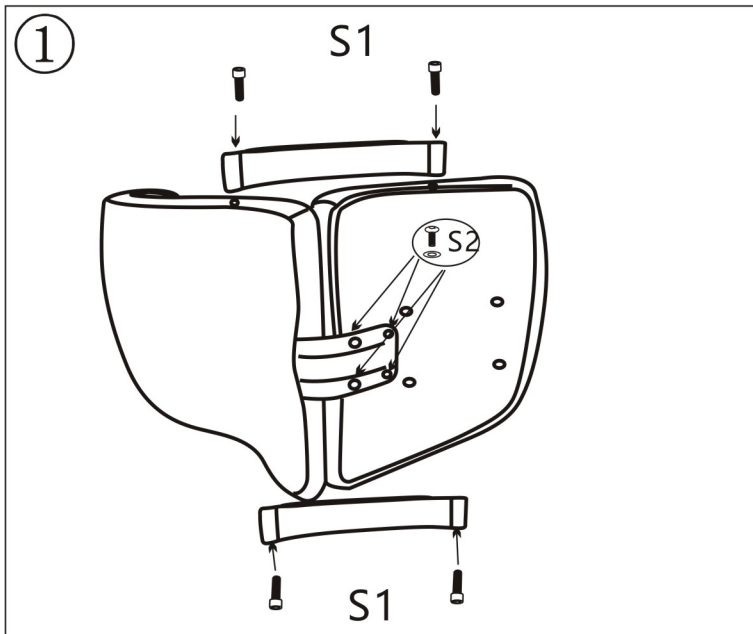


Assembling Instruction

<p>A1 1 PC</p>  <p>Backrest</p>	<p>B1 1 PAIR</p>  <p>Armrest</p>	<p>C 1 PC</p>  <p>Mechanism</p>	<p>E 1 PC</p>  <p>Base</p>	<p>S1 4 PC S</p>  <p>Big screws</p> <p>S2 8 PC S</p>  <p>Small screws</p>
<p>A2 1 PC</p>  <p>Seat</p>	<p>B2 4 PC S</p>  <p>Armrest Cover</p>	<p>D 1 Set</p>  <p>Gaslift & Cover</p>	<p>F 5 PC S</p>  <p>Castors</p>	<p>R1 1 PC</p>  <p>Allen key for S1</p> <p>R2 1 PC</p>  <p>Allen key for S2</p>



Please Note: Ensure all bolts remain loose during the assembly, tightening only after all parts are connected. Use strong force to pull the top of the back towards the front of the seat to have the arms slot in correctly.