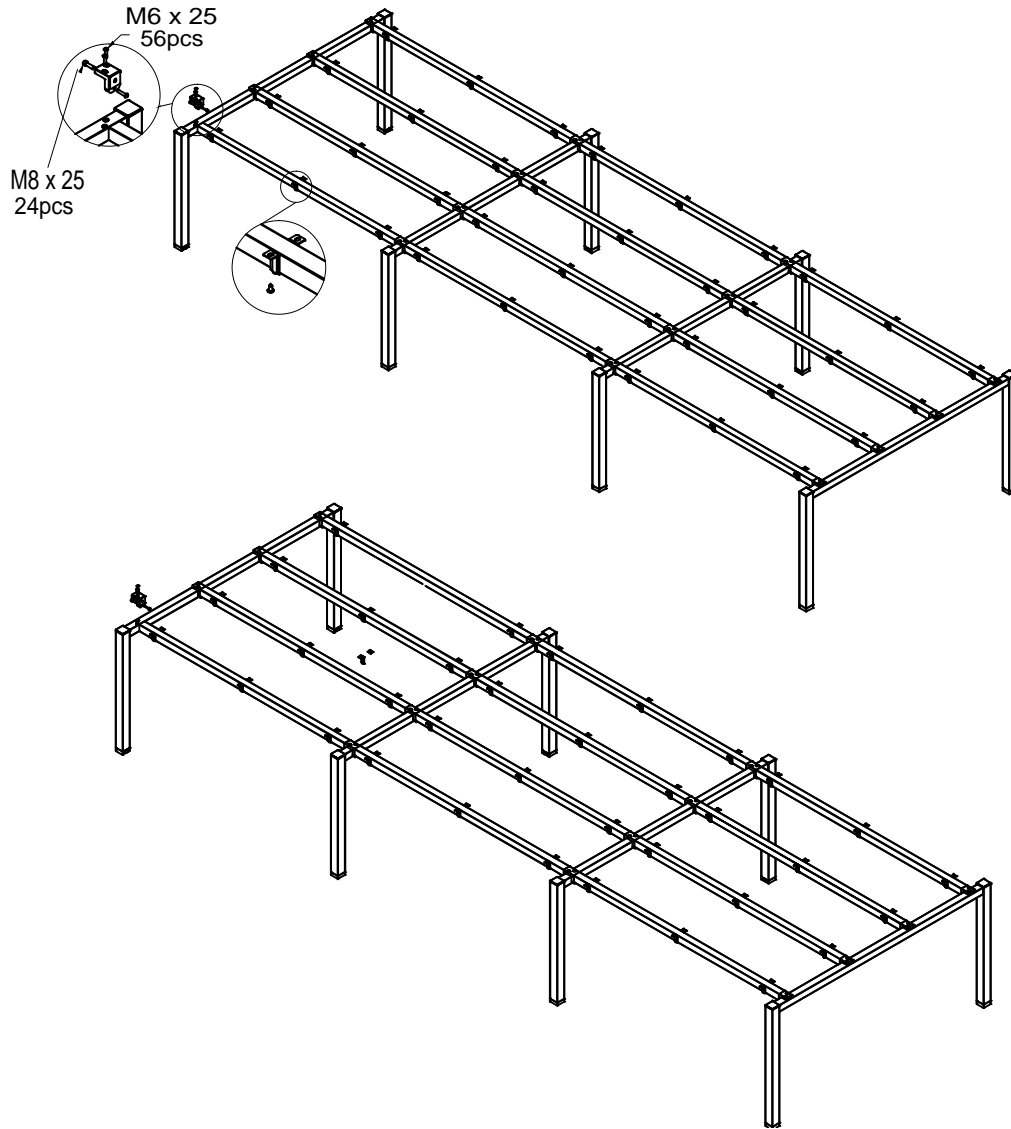





Cubit 6 Desk Raceway

Leg and Beam Assembly and Timber Top Attachment Instructions



	M6 x 25 56pcs		M5 x 20 72pcs
	M8 x 25 24pcs		

*** For Timber Top Fitment, First Centre Top And Ensure That The Correct Length Screw Is Used ***

