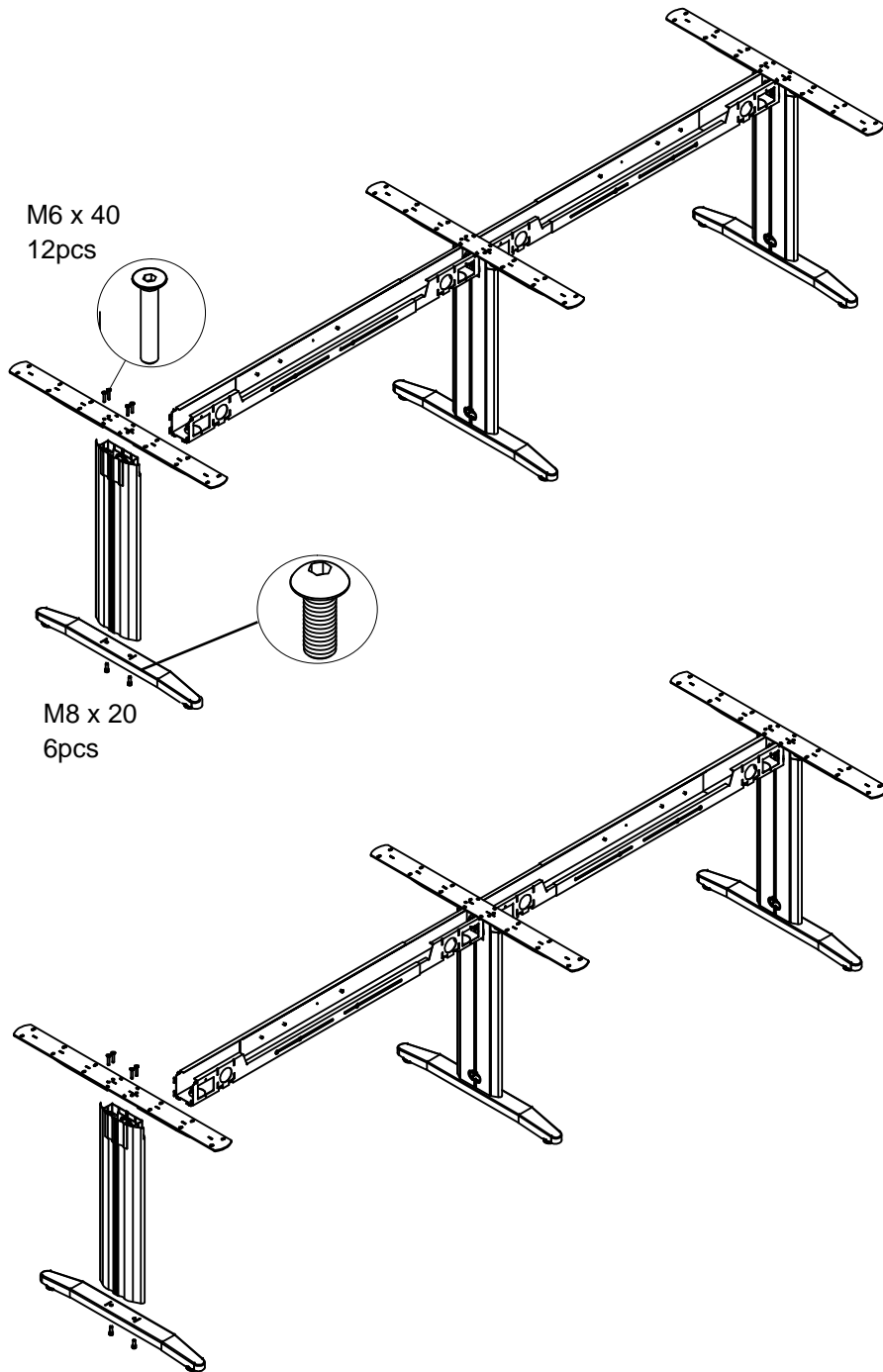

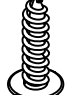



# Chicago Meeting Table

## Leg and Beam Assembly and Timber Top Attachment Instructions



|   |                  |   |                  |
|---|------------------|---|------------------|
|  | M6 x 40<br>12pcs |  | M5 x 20<br>18pcs |
|  | M8 x 20<br>6pcs  |   |                  |

\*\*\* For Timber Top Fitment, First Centre Top And Ensure That The Correct Length Screw Is Used \*\*\*

