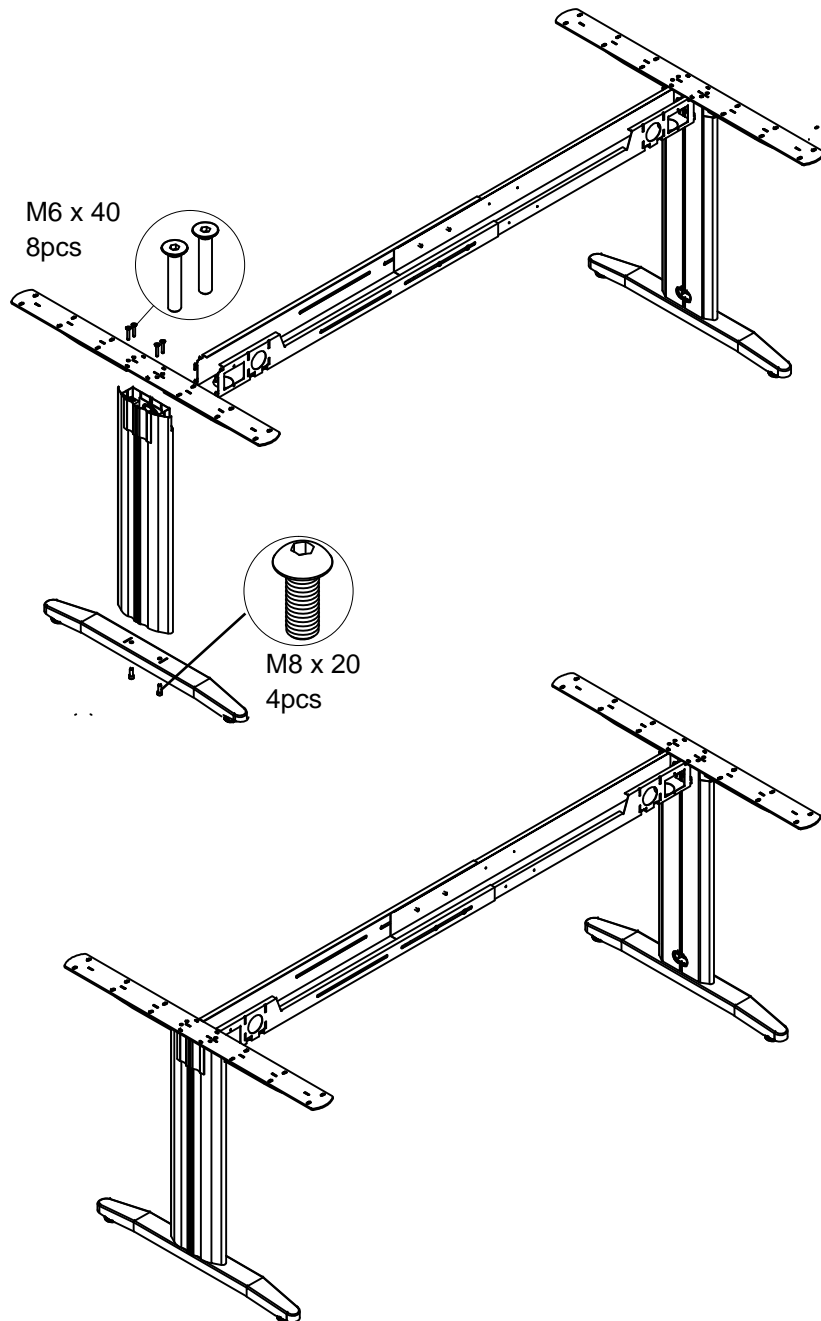
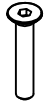
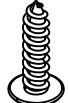
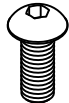


# Chicago Meeting Table

## Leg and Beam Assembly and Timber Top Attachment Instructions



	M6 x 40 8pcs		M5 x 20 12pcs
	M8 x 20 4pcs		

\*\*\* For Timber Top Fitment, First Centre Top And Ensure That The Correct Length Screw Is Used \*\*\*

