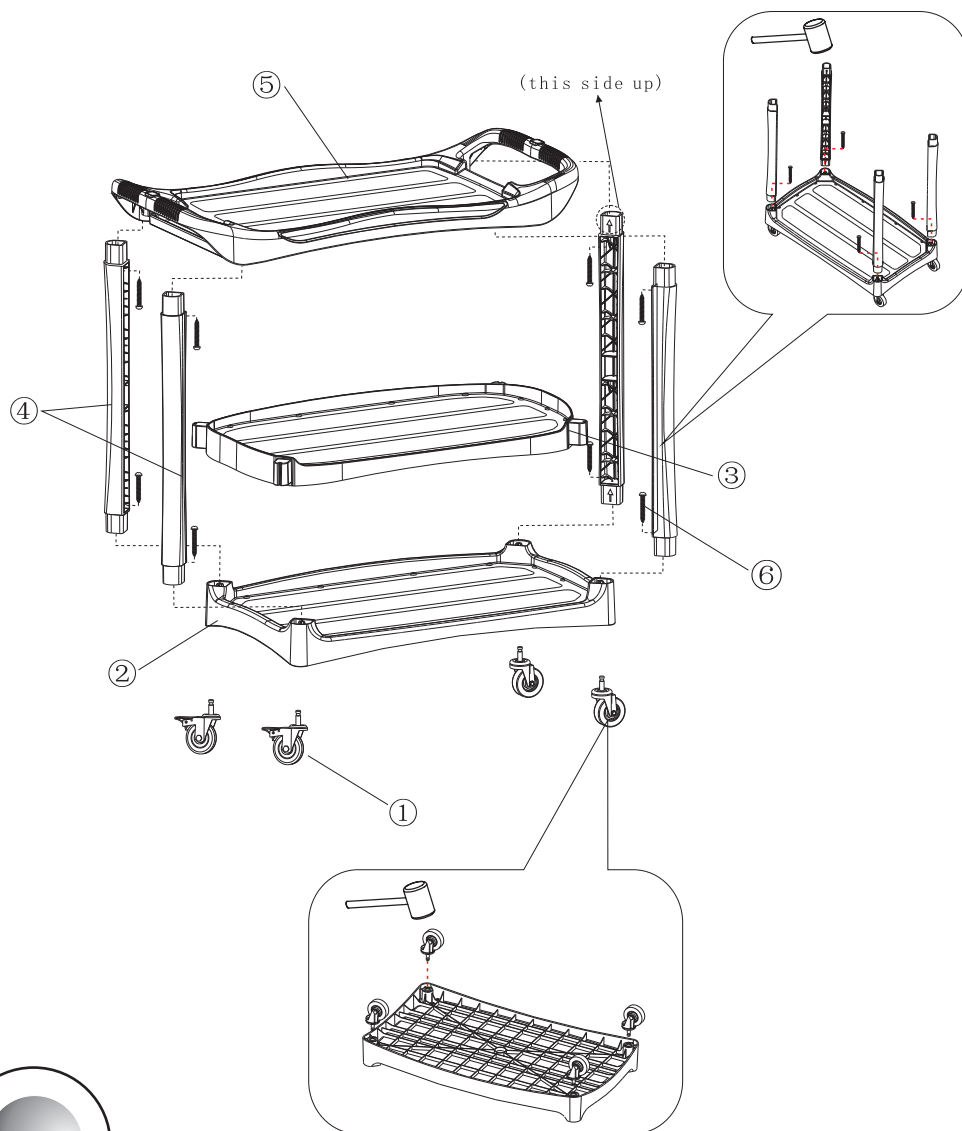


# 722495B Utility Cart Assembly Instruction



step1: Turn the base tray ② upside down on the work surface. Using a rubber mallet, tap the wheels ① gently into the base tray. Turn over and place the pillars into the grooves of the bottom tray. If they don't fit in completely, they might need a light tap (using a rubber mallet).

step2: Fit the middle tray ③ into the buckles at the middle position of the pillars ④. (Notes: The direction of the raised side of the middle tray and the base tray should be the same)

step3: Take out the top tray ⑤ and fit it onto the upside of the pillars. (Notes: Make sure the raised end of the top tray is on the same side as the bottom and middle tray.)

step4: Fix the parts with screws ⑥ as the sketch shown. (Notes: Make certain that all hardware is tight. Make certain the fixed wheels roll properly.)