

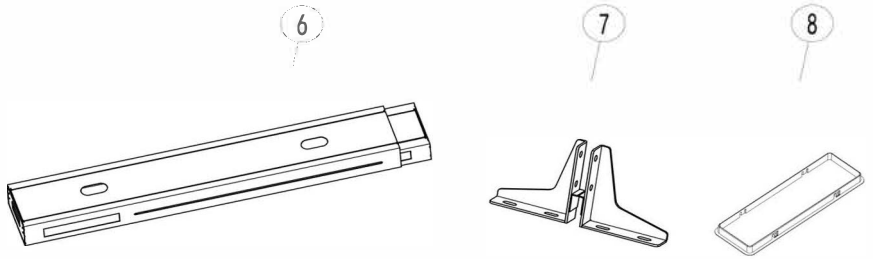
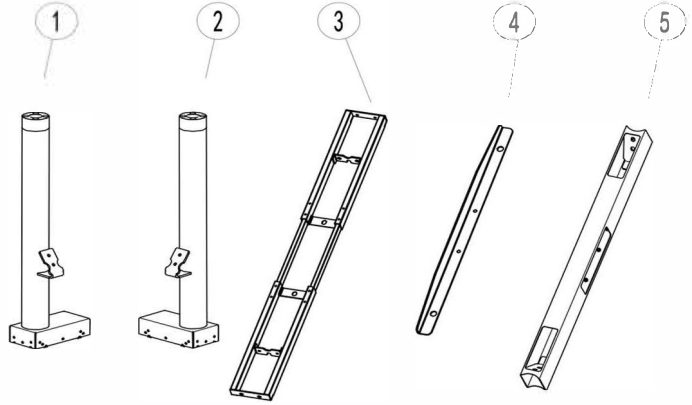


Fixed Height B2B

EDR-FB2B

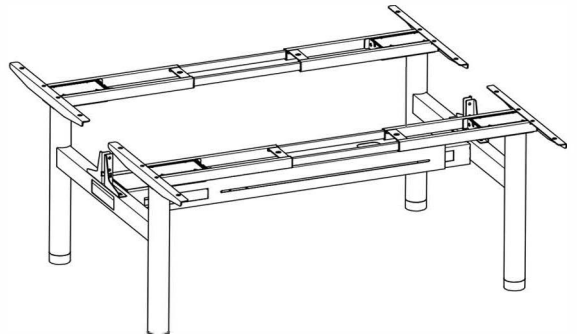
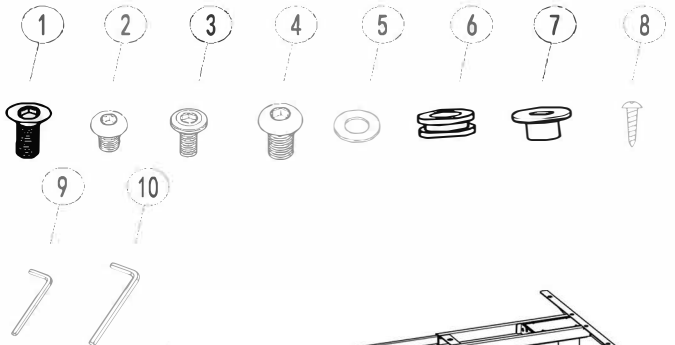
Parts List

NO.	Name	Qty
1	Left leg	2
2	Right leg	2
3	Support beam	2
4	Bracket	4
5	Connection beam	2
6	Cable tray	1
7	Screen clip	2
8	Plastic Lid	2



Screw bag

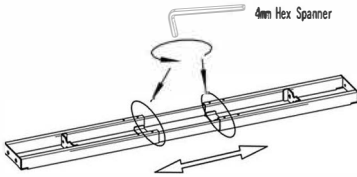
NO.	Name	Qty
1	M6*12 screw	24
2	M6*10 screw	8
3	M6*16 screw	16
4	M8*16 screw	8
5	Gasket	8
6	Rubber Cushion	12
7	Plastic Pad	12
8	ST4. 8*25 Screw	12
9	4mm hex spanner	1
10	5mm hex spanner	1



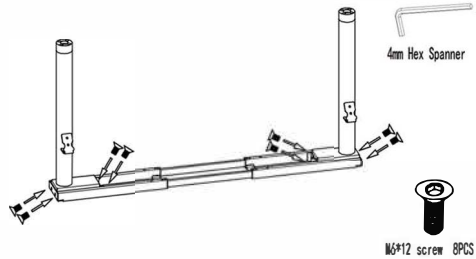
Fixed Height B2B

EDR-FB2B

- 1 Loosen the 4 screws of beam using 4MM hex spanner, adjust the beam to proper position to fit the desktop, and then lock the beam using 8 of M6*10 screws.



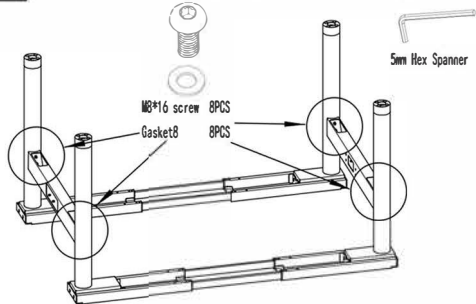
- 2 Attach legs to the beam using 8 of M6*12 screws.



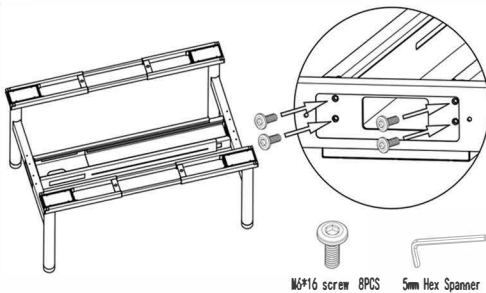
- 3 Assembly another part by the same step.



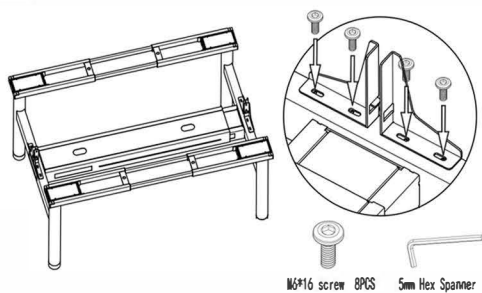
- 4 Attach connection beam to legs using 8 of M8*16 screws and gasket.



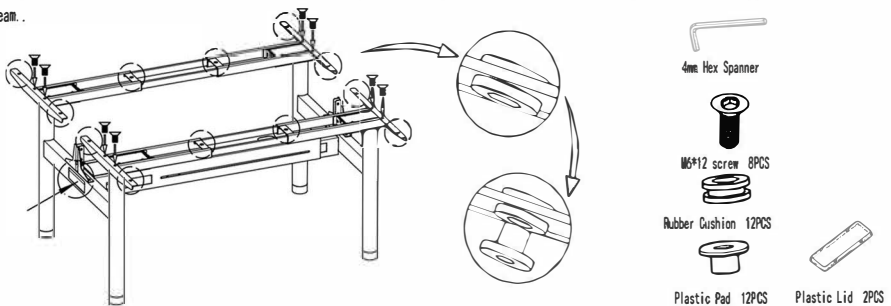
- 5 Attach cable tray to connection beam using 8 of M6*16 screws.



- 6 Attach screen clip to connection beam using 8 of M6*16 screws.



- 7 Attach brackets to beam using 8 of M6*12 screws, and then fit the rubber cushion and plastic pad to the brackets and beams and last lock the plastic lid to the beam.





Fixed Height B2B

EDR-FB2B

- 8 Fix table top to frames with 12 of ST4, 8*25 screws.

