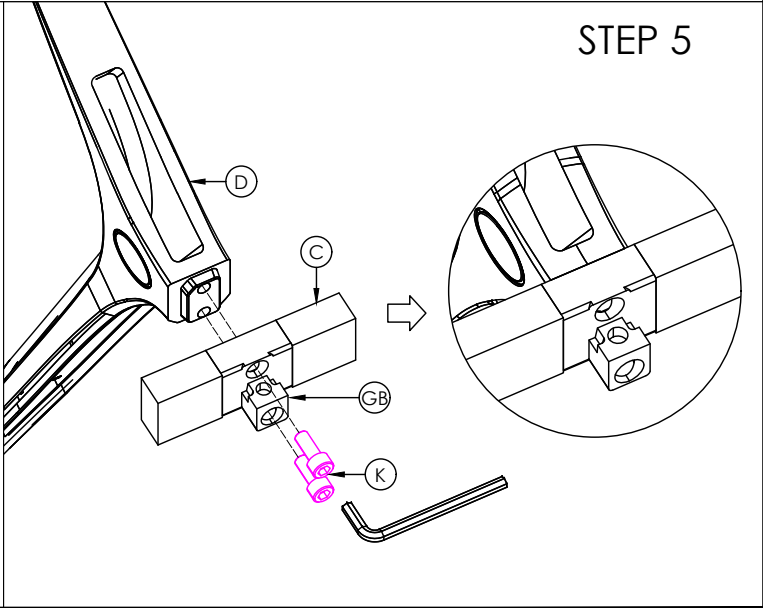
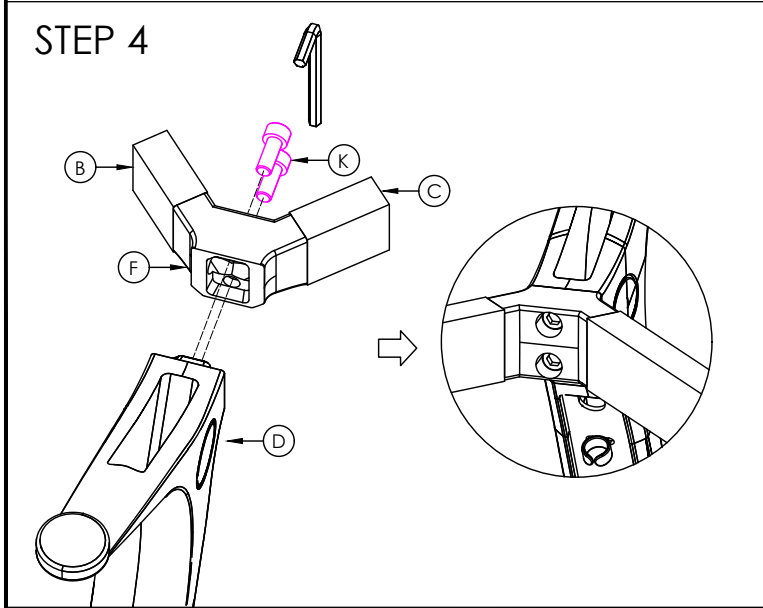
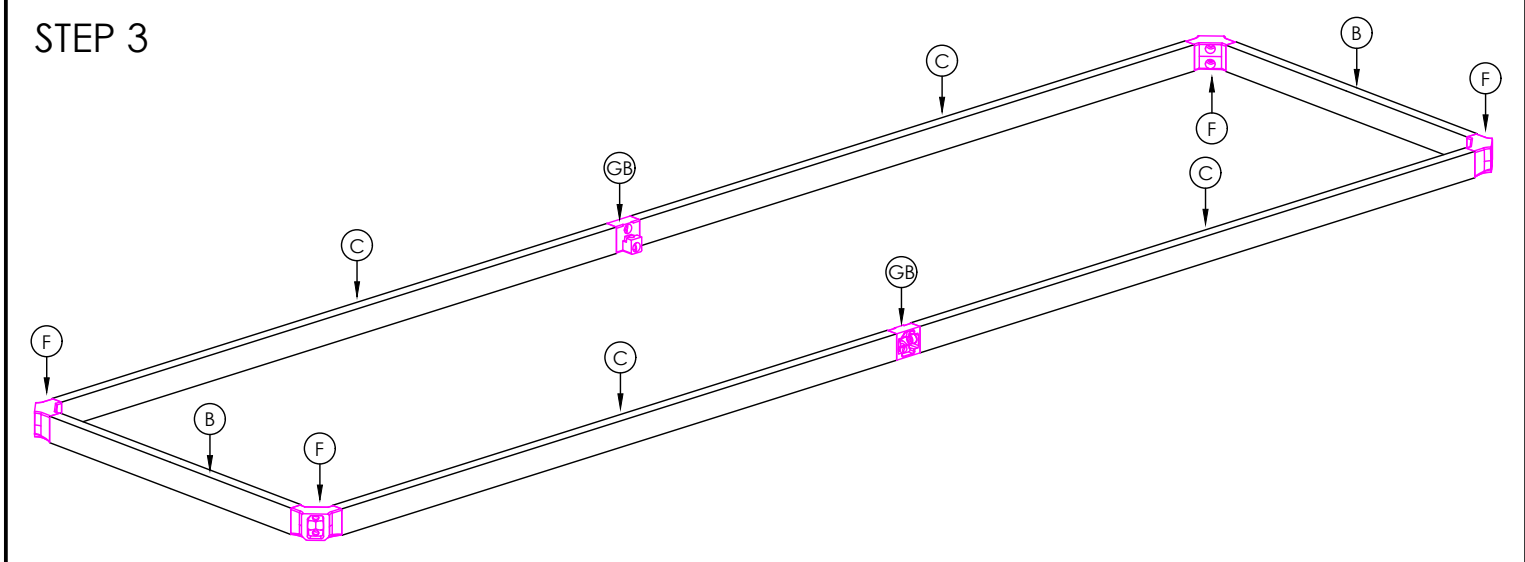
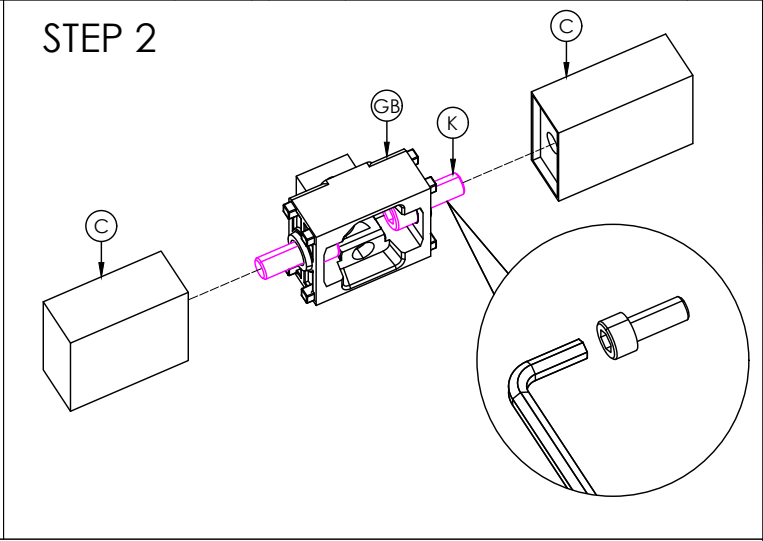
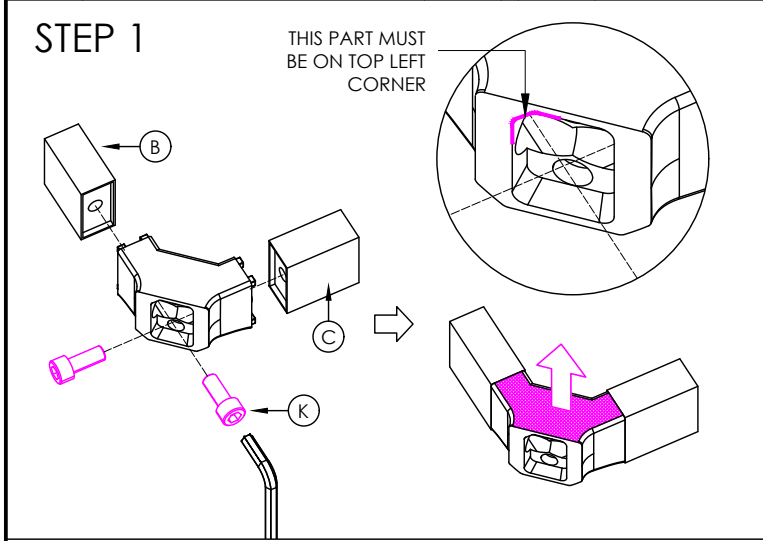


A		x1	B		x3	C		x4
D		x6	E		Depends on Top Size	F		x4
G		x2	H		x4	I		x2



J

COUNTER SUNK M6x15

x6

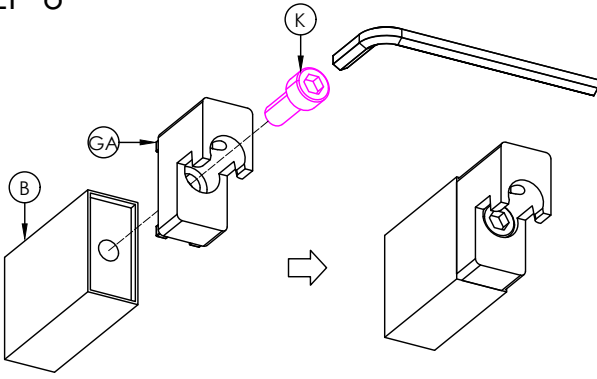
K



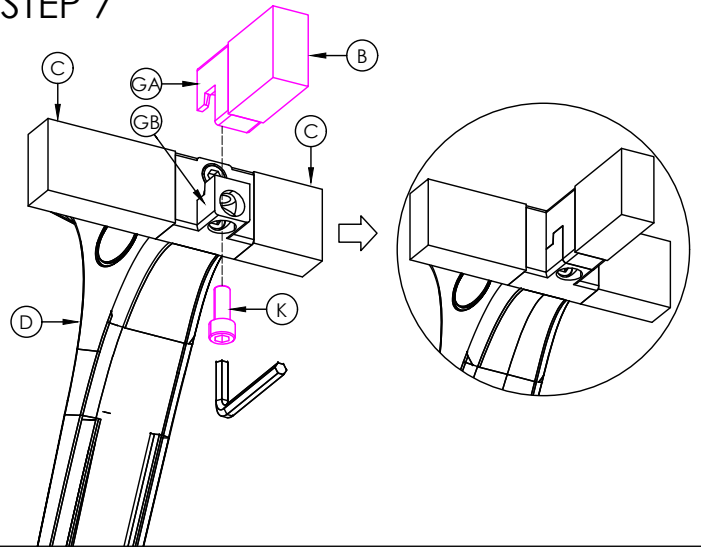
M6x25

x24

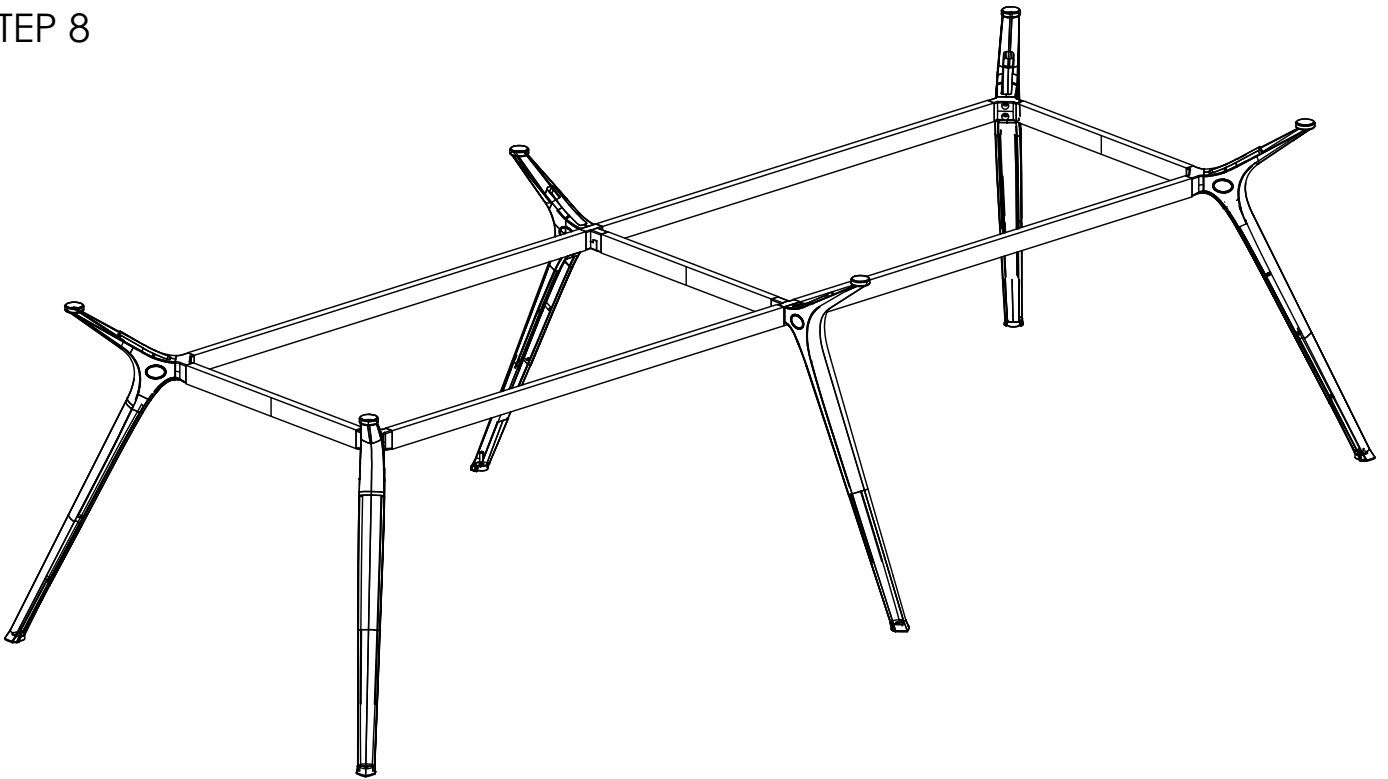
STEP 6



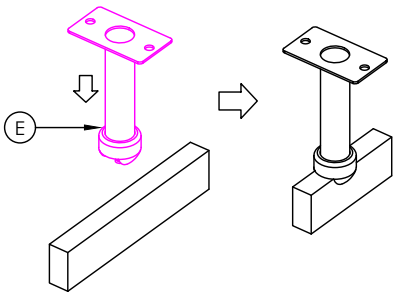
STEP 7



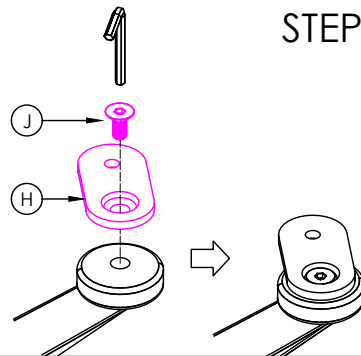
STEP 8



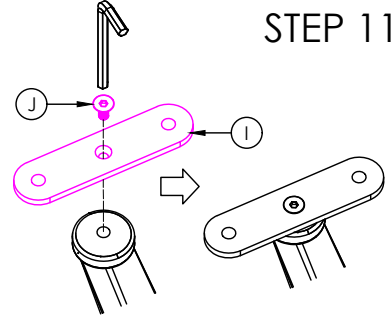
STEP 9



STEP 10



STEP 11



The size of the Top will determine how many Pillars you need:
1500 1x Pillar
1800 1x Pillar
2400 2x Pillars

PRODUCT

KENEK 6 Leg Table Frame

KEN-3012 Suits 3000 x 1200 Top
KEN-3612 Suits 3600 x 1200 Top
KEN-3015 Suits 3000 x 1500 Top
KEN-3615 Suits 3600 x 1500 Top

READY2GO FURNITURE



2020
READY TO GO FURNITURE PTY LTD

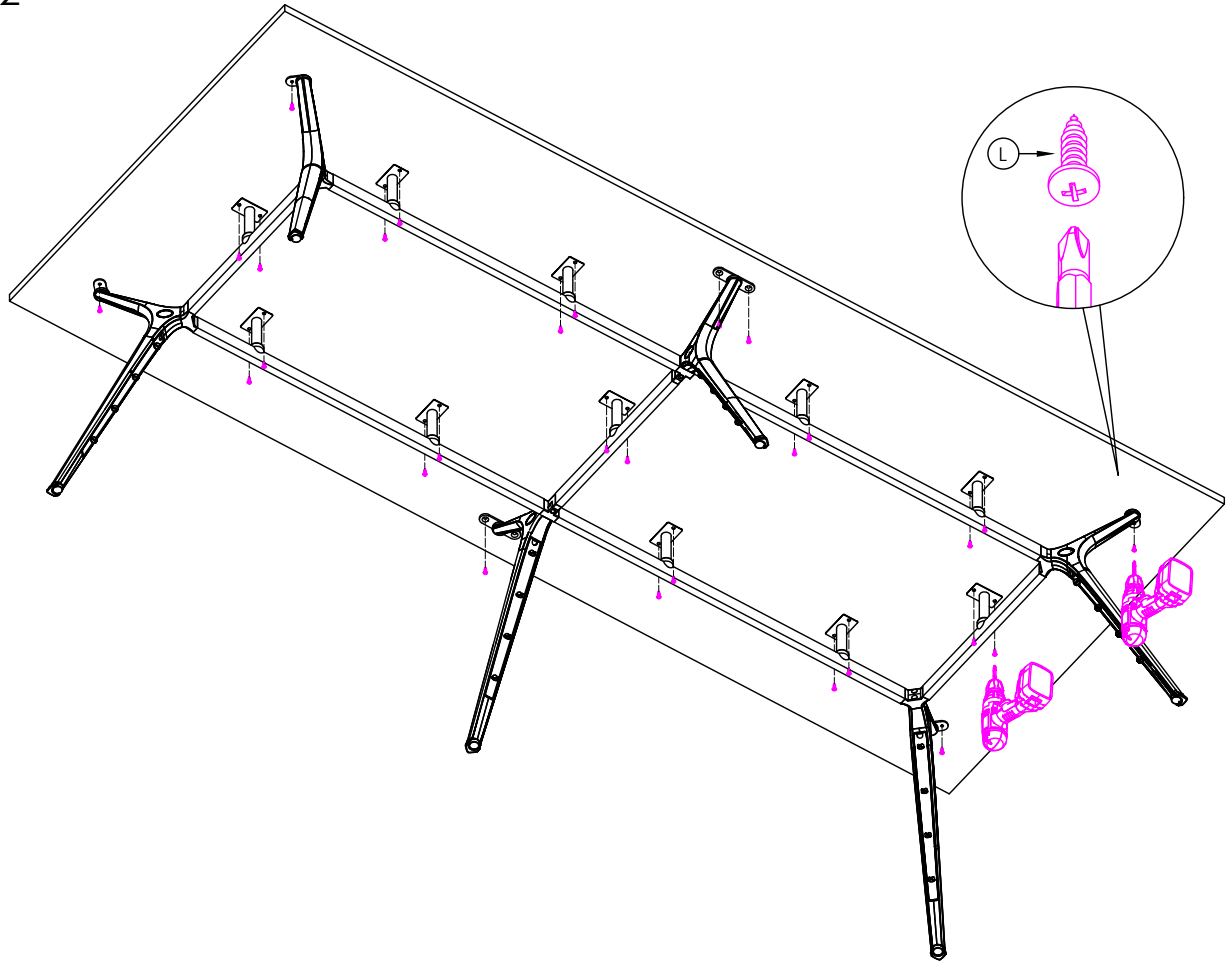
L



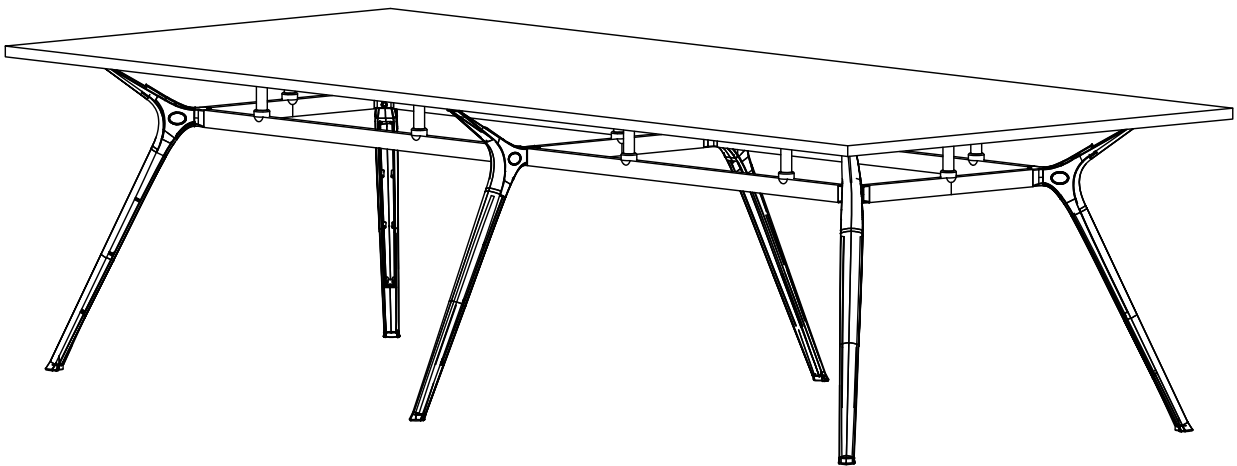
WOOD SCREW M6x25

Depends on top size

STEP 12



FINISH



CAUTION
HEAVY



2 PERSON HEAVY
ASSEMBLY

PRODUCT

KENEK 6 Leg Table Frame

KEN-3012 Suits 3000 x 1200 Top
KEN-3612 Suits 3600 x 1200 Top
KEN-3015 Suits 3000 x 1500 Top
KEN-3615 Suits 3600 x 1500 Top

REMARKS:

