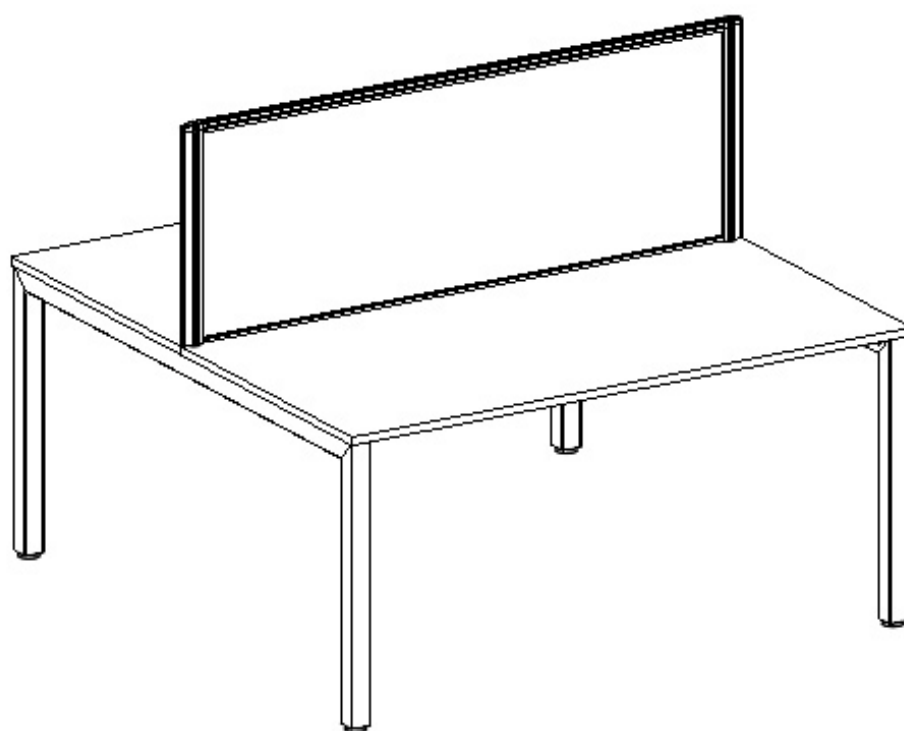
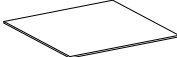
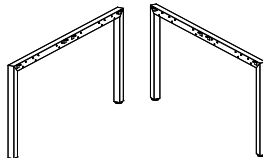

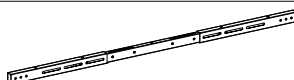
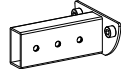
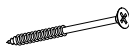



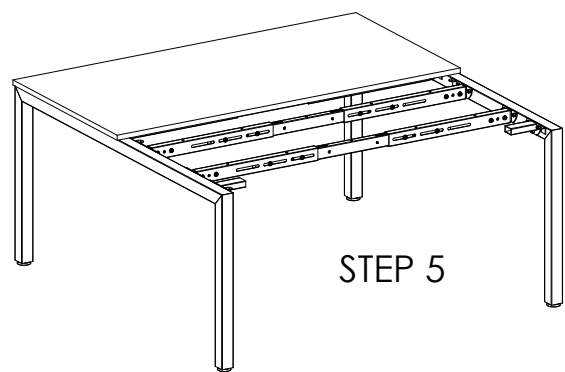
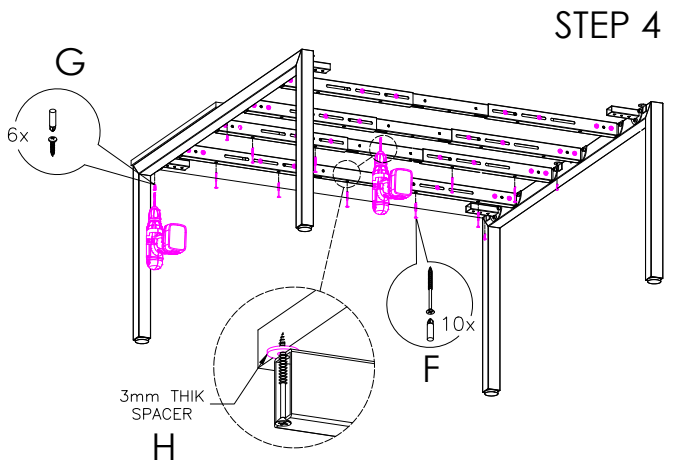
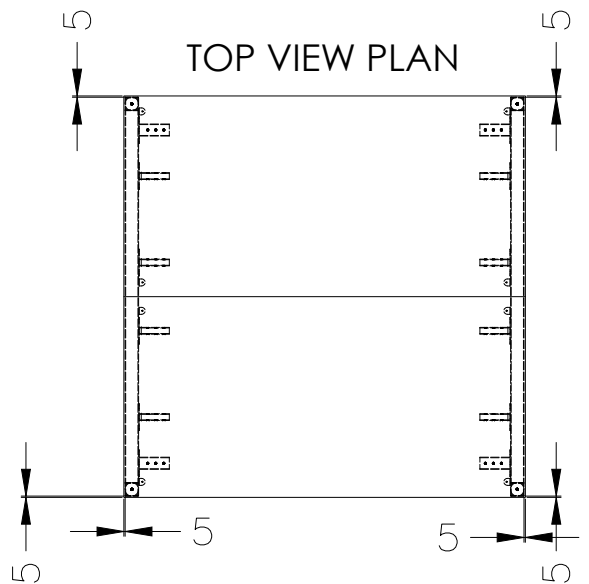
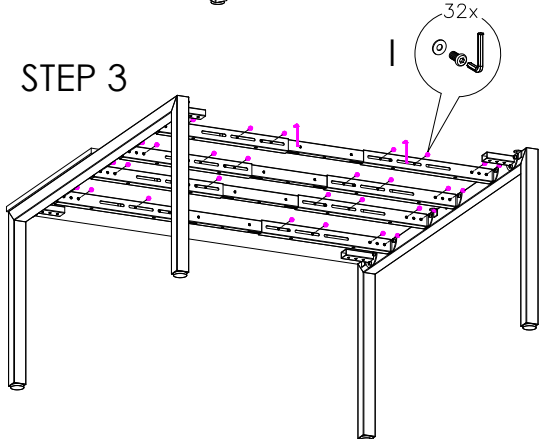
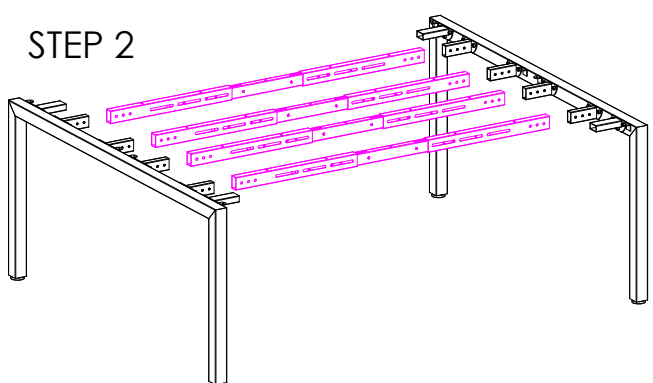
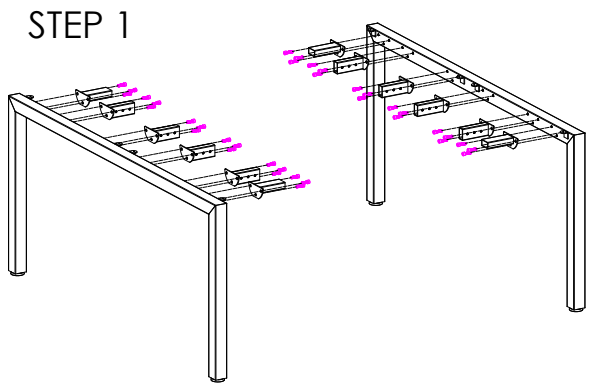


READY2GO

ASSEMBLY INSTRUCTIONS
STRATA Inline Workstation
2 Person
ST-IND-127, 157 & 187



| | | | | | | | | |
|---|---|-----|---|---|-----|---|---|----|
| A |  | x2 | B |  | x1 | C |  | x4 |
| E |  | x4 | | | | D |  | x8 |
| F |  | x20 | G |  | x12 | H |  | x4 |
| I |  | x32 | | | | | | |



CAUTION:
HEAVY

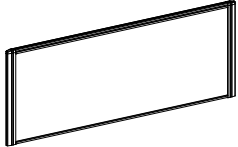

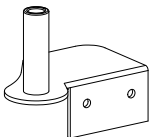


2 PERSON HEAVY
ASSEMBLY

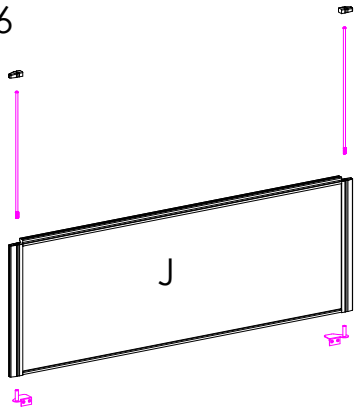
READY2GO FURNITURE

PRODUCT CODE:
ST-IND157-2
ASSEMBLY INSTRUCTIONS-PART 1
ASSEMBLED SIZE:
1500L x 1500D x 700H

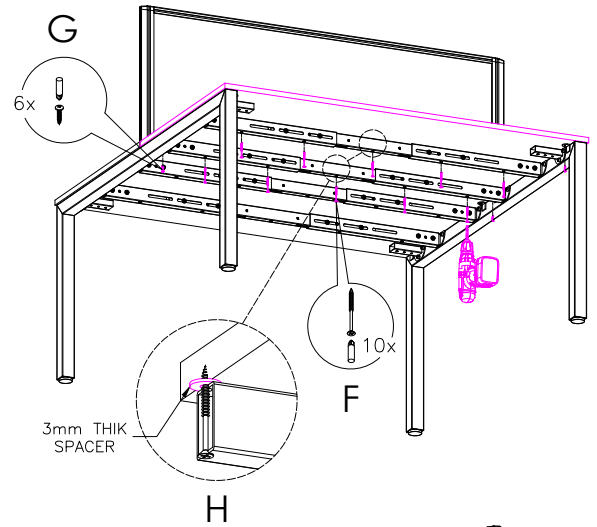
REMARKS:
ST-LE15 + ST-AB1218
© 2018
READY TO GO FURNITURE PTY LTD

| | | | | | | |
|---|---|----|---|--|------------------------------|----|
| J |  | x1 | K |  | *PACKED INSIDE THE PARTITION | x2 |
| | | | L |  | SL-BR520SM | x2 |

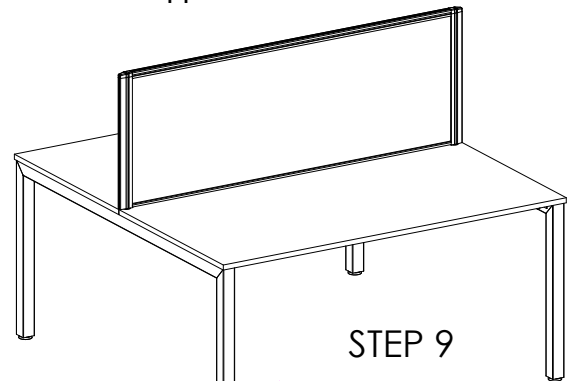
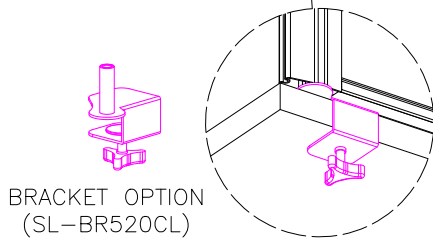
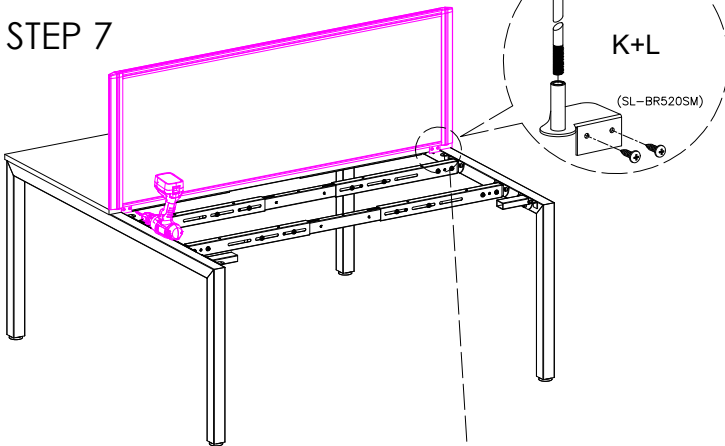
STEP 6



STEP 8



STEP 7



STEP 9



CAUTION:
HEAVY



2 PERSON HEAVY
ASSEMBLY